

866.332.2403 (Toll Free); 7am-7pm Pacific Time, Monday-Saturday

TODDLER'S RECTANGULAR PICNIC TABLES



SPECIFICATIONS:

SEATING CAPACITY

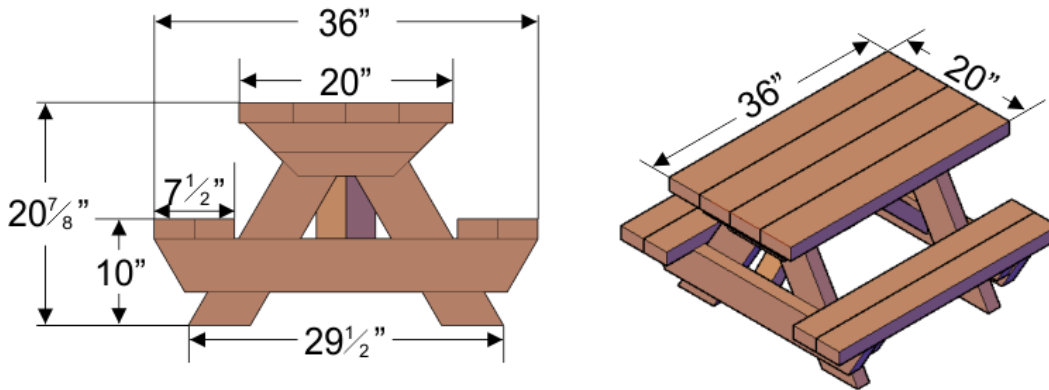
Toddler's Rectangular Picnic Table Seats up to 6 kids up to age of 6.

DIMENSIONS & DRAWINGS

Toddler's Rectangular Picnic Table

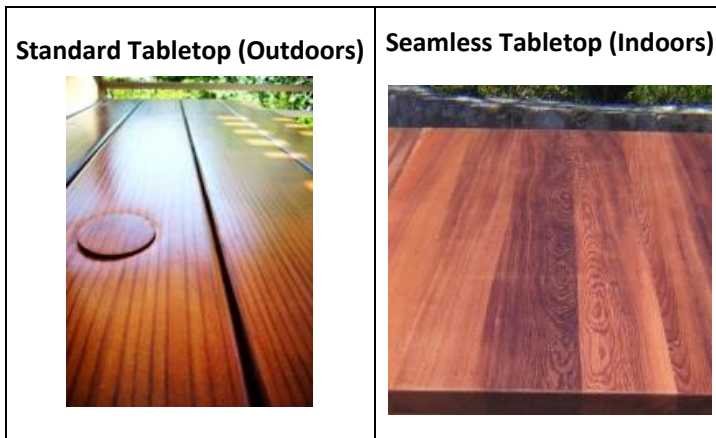
36"L x 36"W including the benches. Tabletop is 20"W x 20 7/8"H. Benches are 10"H. Approx. Weight: 80 lbs.

Toddler's Picnic Table



TABLETOP STYLES

Standard or Seamless Tabletop



Standard Tabletop - Recommended for tables to be left out in the weather. Outdoor tabletop boards need "breathing" room to expand and contract to the constant changes in moisture and temperature. The standard tabletop boards are separated by 1/16-inch to allow for this movement.

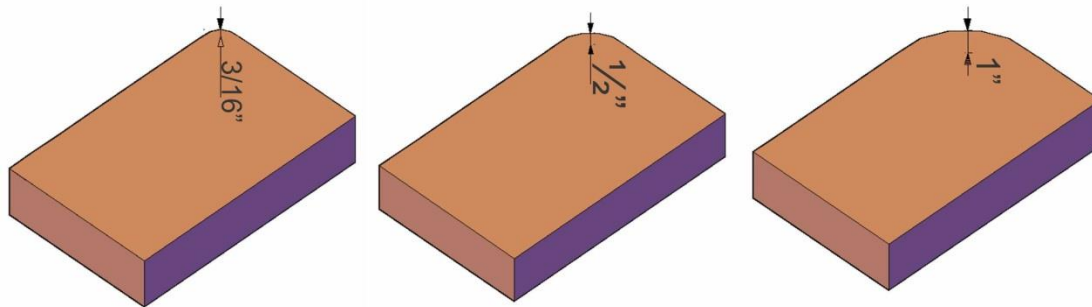
Seamless Tabletop - Ideal for use in a covered patio or indoors. It can be taken outdoors for a meal or party but isn't designed for outdoor living. The seamless construction creates a beautiful unbroken tabletop surface.

Parquet Tabletop



Parquet Tabletop (seamless) - You can order any table with a Parquet Tabletop. If you select the Parquet design, benches will have parquet bench tops. If you prefer bench tops in a different design, just [let us know](#). The parquet pieces will be naturally varied in color as shown above. The Parquet Tabletop is available at no additional charge. It is ideal for indoors or covered Patios. It is a seamless tabletop and is not intended to be out in the weather for extended periods.

CORNER STYLES



The corners of the tables and benches can be made in 3 ways (Squared, Slightly Rounded or Rounded). The look is quite different and it takes only a few seconds to see what will work best for you (see drawings):

Squared: Leave the corners of your table and/or bench tops squared for a more modern look (technically, 3/16" radius, for structural soundness), or....

Slightly Rounded: The 1/2" radius rounding creates a softer look and it is the most popular option, or...

Fully Rounded: was initially created for kid safety. It is a favorite for heavy use public places (1" radius).

Some rounding is a good idea for safety reasons (kids, elderly). The 1/2" radius rounding is a popular compromise between the two (see drawing). Just choose which option you would like during checkout.

UMBRELLA HOLE

Want to enjoy an umbrella with your table? We do not sell umbrellas, but we can drill a two-inch umbrella hole for you at no charge. A plug is included with the umbrella hole option see images at right.



PRICE:

Price from: \$660.00 to \$1,220.00 depending the size, grade and other options.

FINISH OPTIONS

All our furniture ships finely sanded to 220 grit for a smooth to the touch finish.

The most popular finish is our Transparent Premium Sealant. This sealant leaves your furniture looking natural and helps keep the beautiful wood surface colors from fading for several years. We use Sikkens brand finishes because they are the best finishes on the market.

Transparent Premium Sealant - Recommended for Outdoors:

Below are the 5 grades of wood we offer with the Transparent Premium Sealant applied. The color tones shown are close representations of the color your furniture will look like. There is no extra charge for the Transparent Premium Sealant:



Redwood
(15 yr Warranty)

**Mature
Redwood**
(20 yr Warranty)

**Old Growth
Redwood**
(30 yr Warranty)

**Mosaic Eco-
Wood**
(10 yr Warranty)

Douglas Fir
(10 yr Warranty)

We also offer the Transparent Premium Sealant with the following stains added. There is a small charge for adding these stains:

Stains with Premium Sealant (Coffee and Cherry):



COFFEE STAIN CHERRY STAIN

Unfinished:

If you are applying your own stain or want the surface color to fade to a "weathered look" in a few months.

Off-White Oil-Based Primer:

If you are painting a light color. We apply two coats so that it is ready for one final coat.

Gray Oil-Based Primer:

If you are painting a darker color. We apply two coats so that it is ready for the final coat.

Wax Finish - Recommended for Indoors:

If your furniture is for indoors, we recommend the Wax finish. Your furniture will ship with 2 coats of Howard's Feed 'N Wax. Without maintenance the finish becomes a beautiful patina. With minimal care, the finish gets richer and more beautiful year after year.

Custom Stain:

If you need a specific stain, let us know.

MATERIALS

- The secret to outdoor longevity begins and ends with the wood. We use generous amounts of the most decay resistant wood available. We encourage our customers to compare photos of our items side by side with any competing product. Thickness counts. Furniture that is thin and light simply won't last in the year round weather.
- To keep your furniture beautiful, we use only stainless steel hardware and the highest quality stains and sealants. We use only the Sikken's brand of sealants.
- Our primary customer has always been the homeowner that appreciates spending a bit more for quality that will last decades.
- Our products are installed with organizations that appreciate longevity like the U.S. Forest Service, U.S. military installations, State and City parks, golf clubs and hotels.
- We are favored by many landscape architects and contractors because they can count on exceptional quality and quick personal service to complete projects.
- We build each item by hand. This insures your set is finely finished and carefully inspected. Old-fashioned hand building also allows us to adjust the size or design of any item to fit your needs.
- Because we are a forestry company, we can offer 5 exceptional wood grades to choose from our carefully managed forests with warranties of up to 30 years against decay in any weather.

ASSEMBLY AND CARE

You can see the Assembly instruction for Toddler's Rectangular Picnic Tables on our website and they are included with the shipment.

Assembly

All you need is a ratchet wrench and a hammer.

Our furniture is preassembled in our wood working shop to ensure reassembly is a snap. The Kid's Toddler Picnic Tables require only a ratchet wrench and a small hammer to tap in the bolts. They ship in less than 10 parts and take less than 45 minutes to re-assemble and begin enjoying them. All parts are clearly labeled and detailed step by step instructions are included. They can easily be re-assembled by one person. To download assembly instructions for any of our items, please go to: [Assembly](#)

Care: Your Forever Redwood Furniture will last for decades in year-round weather without maintenance.

Depending on the wood grade you choose, even with harsh year-round outdoor conditions, you can expect your furniture to last from ten to forty years without maintenance of any kind.

Being outside year round is rough on any woods finish. The surface absorbs UV rays, pollution, constant variations in moisture and temperature and it also oxidizes. This is why most wood just doesn't hold up and the surface color slowly changes towards a silver patina over the years. But, with Forever Redwood, you don't have to worry. The silver patina is surface deep only (less than 1/64") and is not indicative of decay. Your set will last decades and is not compromised in any way by the surface color change. For example, we keep our display items as is without refinishing to show off this natural aging (we like the patina!).

Although Forever Redwood is maintenance-free, we recommend you take a few minutes as needed to clean by either hosing down and/or brushing/dusting away accumulated debris (no soap or chemicals needed). If you'd like to keep your set looking its best for decades, please go to: [Care and Finish](#).

SHIPPING

We offer 4 Shipping Options in the U.S.:

- **Priority Shipping (ships in 2 to 3 weeks)**
- **Standard Shipping (ships in 4 to 6 weeks)**
- **Free Shipping in the Continental U.S. (ships in 8 to 10 weeks)**
- **Wait & Save Shipping (ships in 12 to 14 weeks) - Free Shipping plus save 10% on your order.**

Yes, you can have free shipping plus save 10% off your order! We carefully hand build each Forever Redwood item. When you choose a longer shipout date, you give us more time to build. This lowers our cost and we pass the savings to you. If you choose the Wait & Save Shipping option and prefer we ship out a specific date (up to 6 months in advance), just enter the date in the Comment Box at Checkout. If no note is included, we'll ship in 3 months.

Orders ship from San Diego, CA. Add 3 to 6 business days transit time (depending on location).

We ship to any country. Canada orders ship in 6 weeks. To see Canadian shipping costs, just add item to cart.

For orders outside the U.S. or Canada, just enter your country in the shipping information section at checkout or in the shopping cart to see your freight cost. We ship outside the U.S. or Canada in 6 weeks. For all international shipments, the shipping companies handle any customs paperwork and then contact you to arrange delivery.

Assembly Service Available in California: Just add a note in the comment box at checkout that you'd like "Hand-Delivery & Assembly". We'll email a quote. Minimum \$95 assembly charge.

WARRANTY

Wood decay is warrantied up to 30 years depending on the wood grade. No other outdoor furniture manufacturer has warranties like this. The key is the excellent quality of our wood and the extra-thick timber designs of all our pieces.

Wood Grades and Decay Warranty:

- **Douglas-fir: 10 years**
- **Mosaic Eco-Wood: 10 years**
- **Redwood: 15 years**
- **Mature Redwood: 20 years**
- **Old-Growth Redwood: 30 years**

Forever Redwood stands behind its products. We are committed to quickly resolving any issues that might occur. For more information please see our Warranty page.