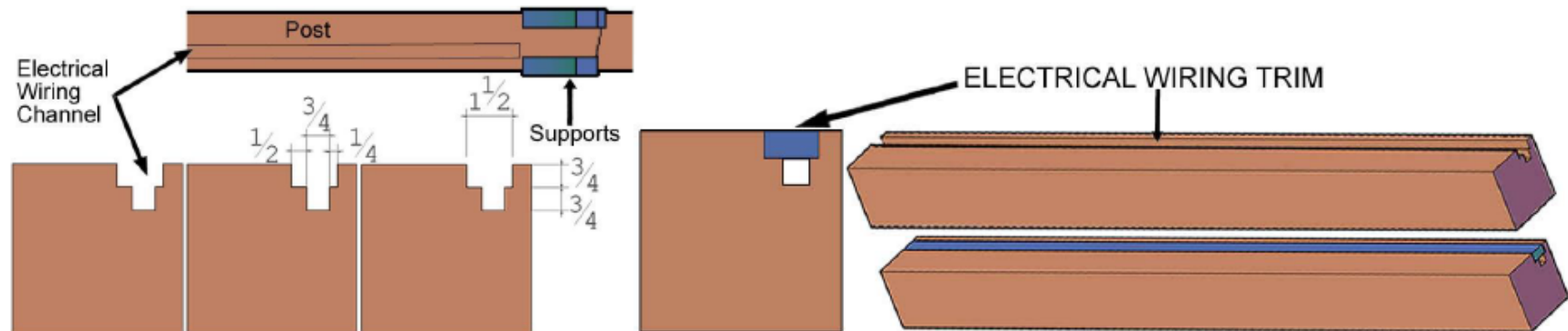
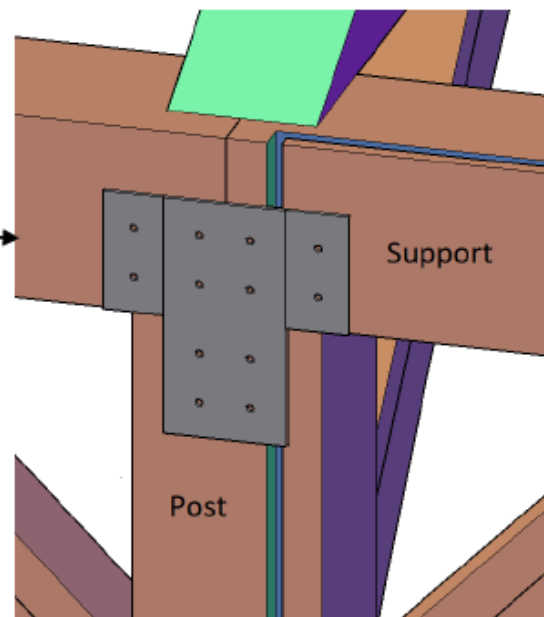


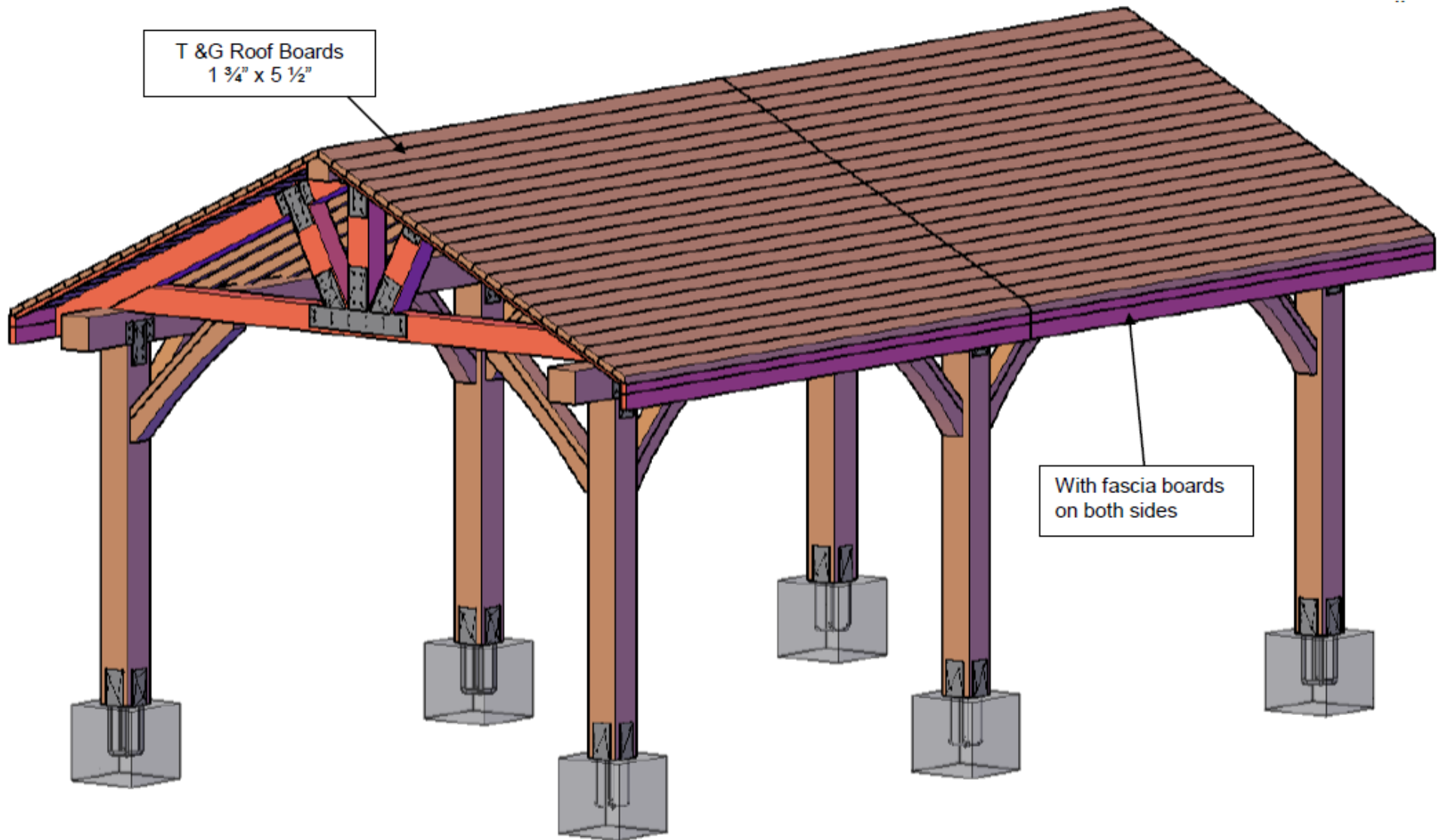
## Electrical Wiring Trim Kit

If you plan to run wiring to add lights or a fan or two to your Pergola, we can add a cutout to your timbers and add a trim piece that will hide the electrical wiring beneath it (see drawings). It is attached with finish nails for a smooth finish.

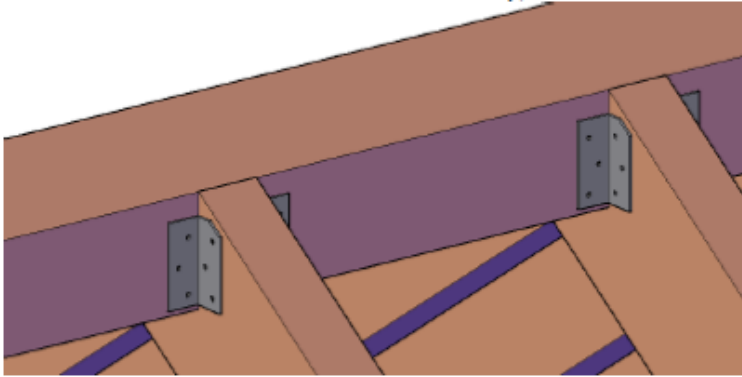


Electrical channel is not centered to avoid the bolts. The channel must run up to the top of the solid support as shown

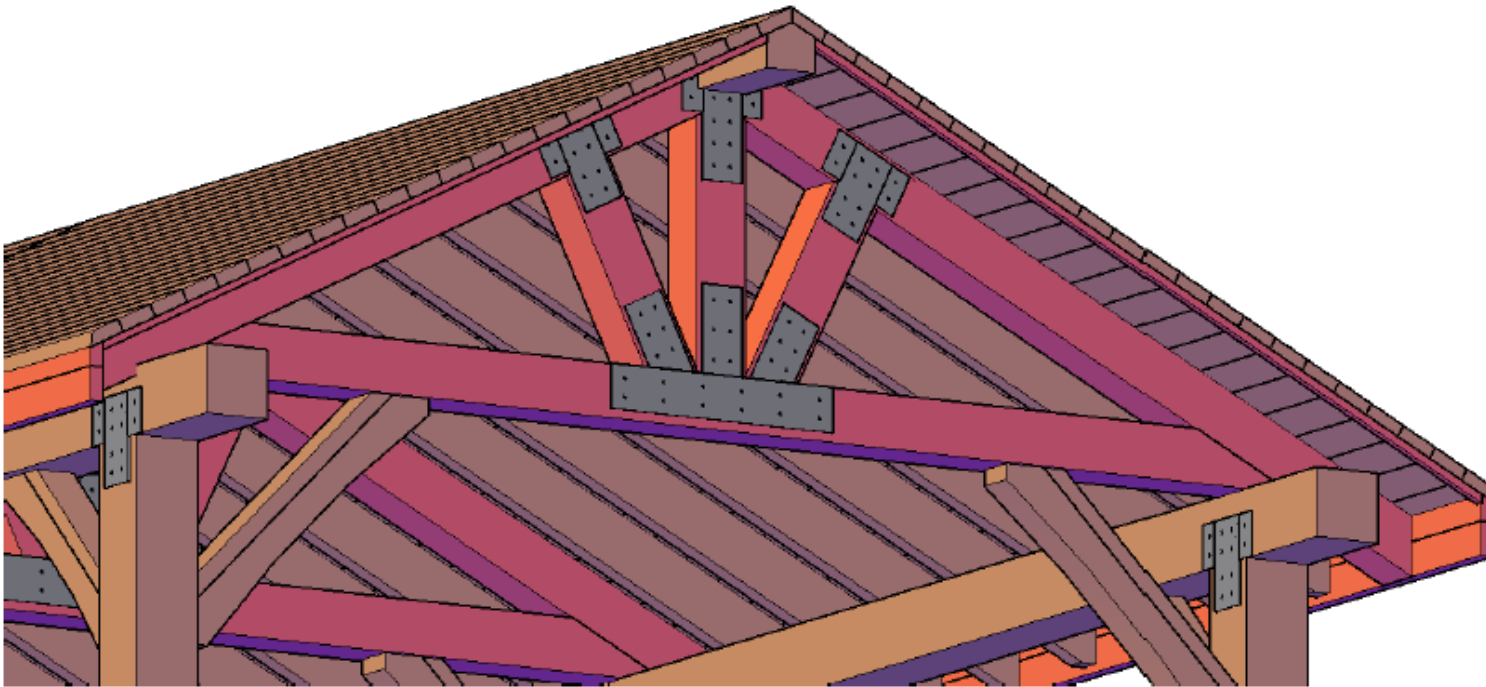




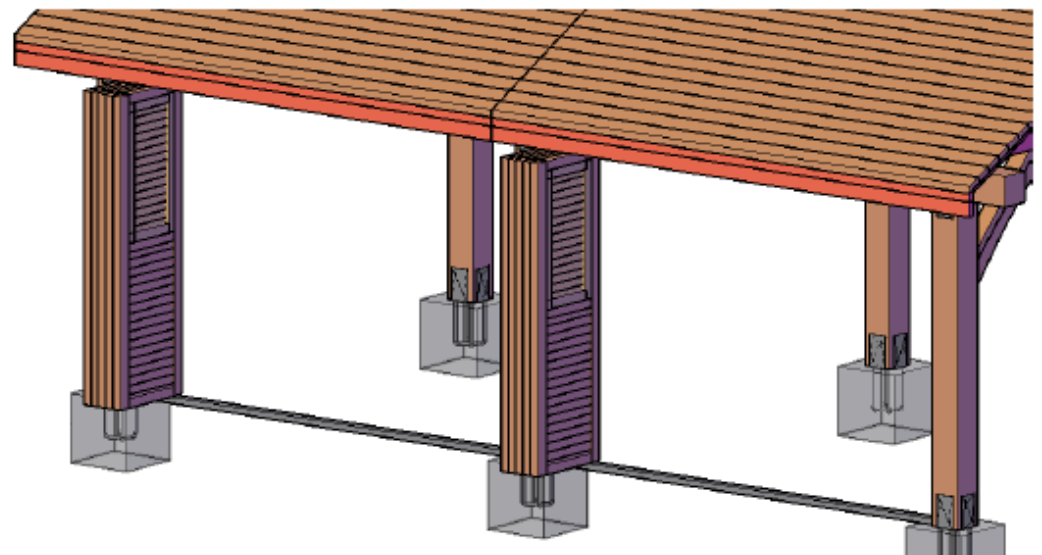
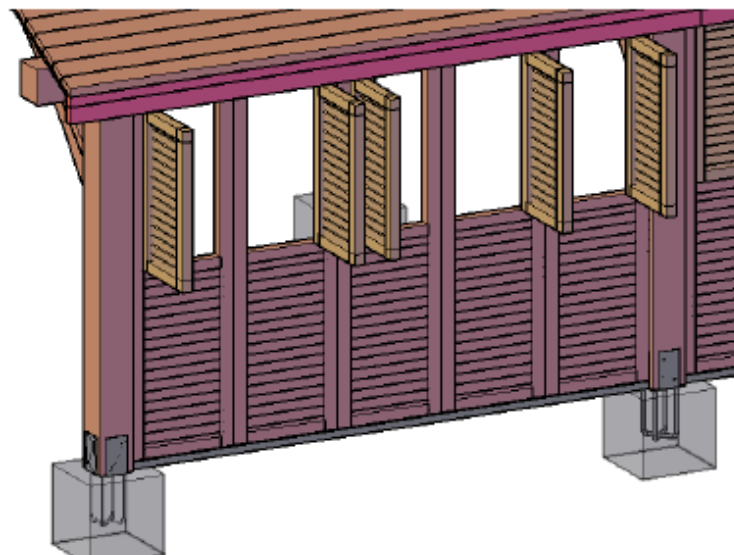
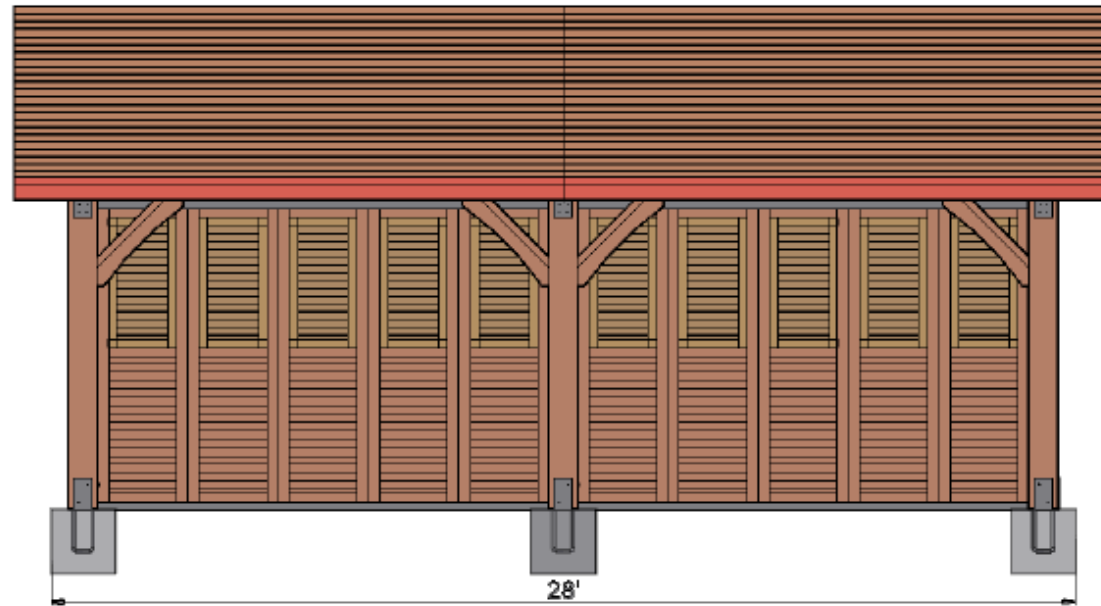
Custom Joists to attach Rafters to Ridge Beam



¼" Thick metal plaques detail:



SHUTTERS: On one 30' side, and open accordion style as Jose Gil's order:



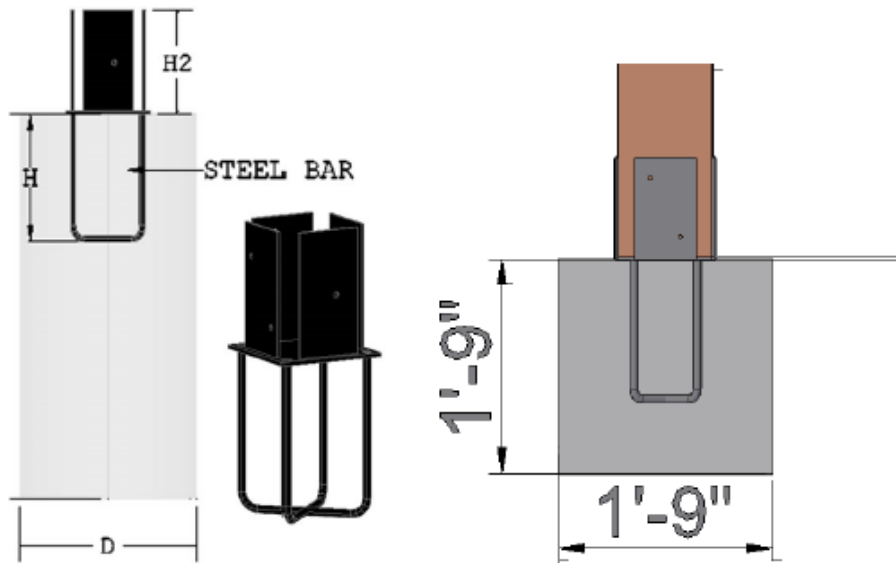
The Thick Timber Toledo Wood Pavilions

Custom Drawings



**Gale-Wind Anchor Kit**

Will be adding a flagstone patio after installation Please place gale wind anchors 2 inches above concrete footings to allow flagstone to be placed above concrete footing to butt up against the posts. Set footing top 2" below grade.



Anchorage Table 1

Posts	Steel Bar Diameter	D	H	Base Steel Gauge	H2
3 3/4" x 3 3/4"	1/2"	10"	8"	3/16"	6"
5 1/2" x 5 1/2"	1/2"	14"	10"	3/16"	8"
7 1/4" x 7 1/4"	5/8"	16"	12"	1/4"	8"
9 1/4" x 9 1/4"	5/8"	18"	14"	1/4"	10"
11 1/4" x 11 1/4"	5/8"	20"	16"	1/4"	10"