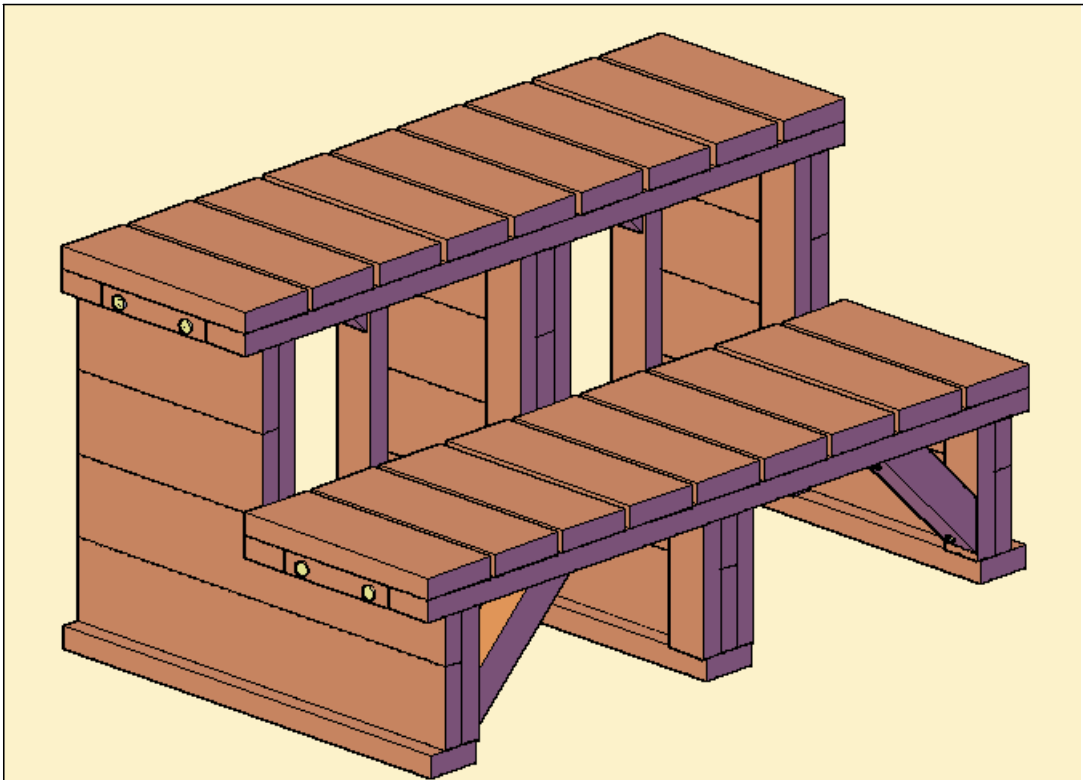
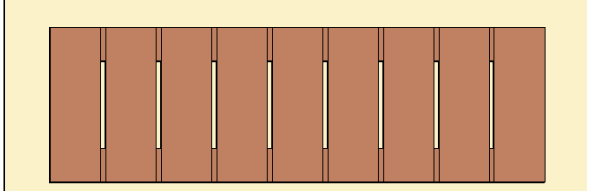
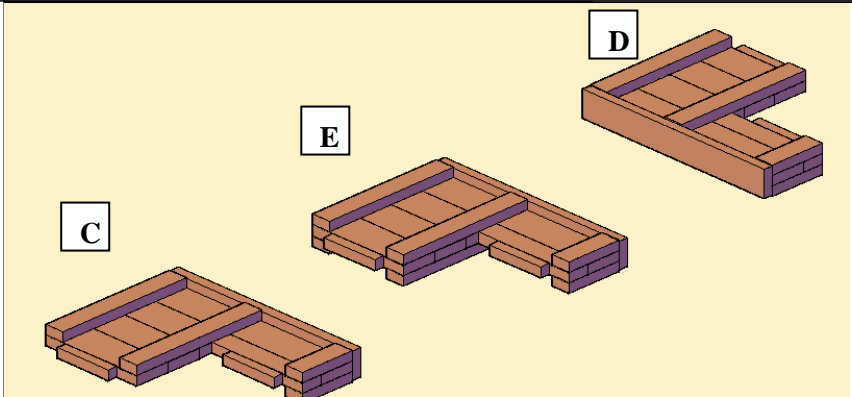
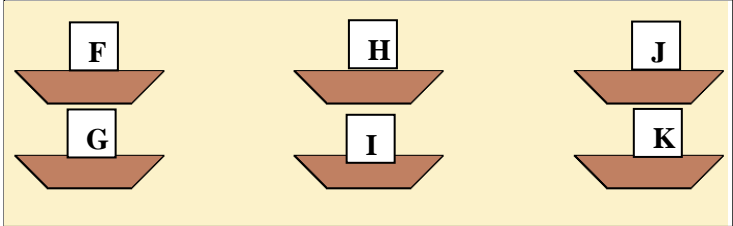


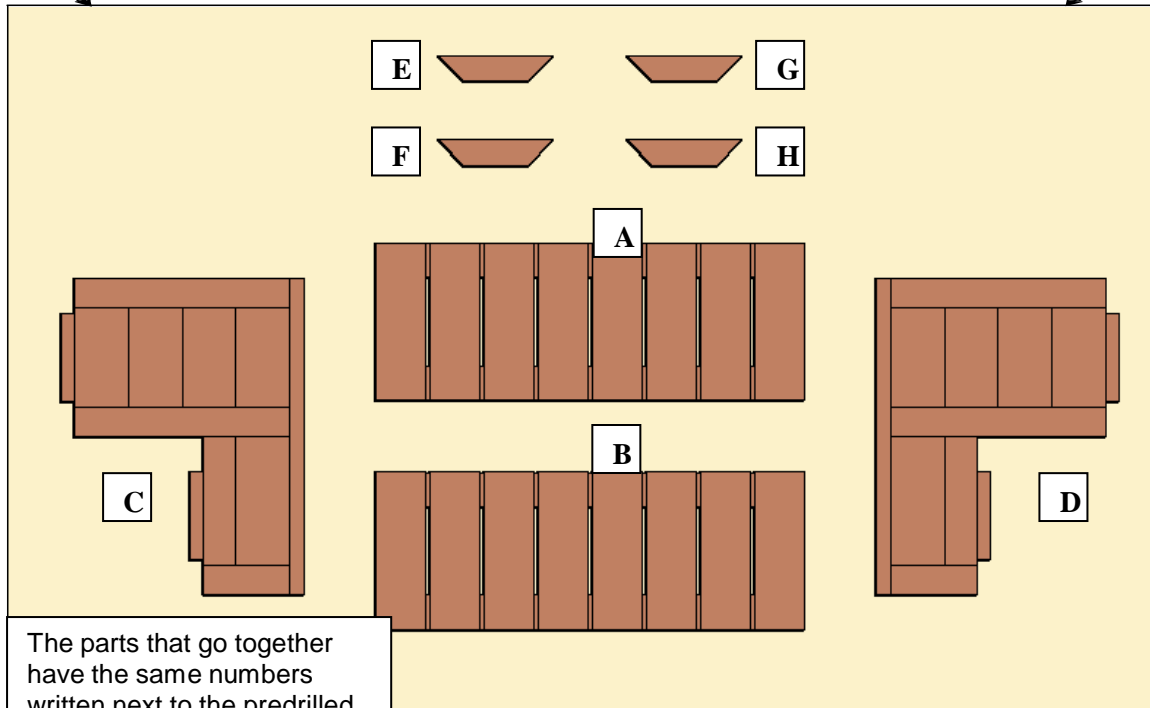
Assembly instructions for:
SPA STEPS 36", 42", 48" AND 54" L
(22"W X 18"H)



Quantity	Description	Drawing
12	Carriage bolts 2 1/2" x 5/16", Washers and Nuts	
12	8"x 2 1/2" Deck Screws	
2	Steps (A, B)	
3	Assembly Left Leg © assembly right leg (D) and assembly center leg (E)	
6	Supports (F, G, H, I, J & K)	

ASSEMBLY INSTRUCTIONS

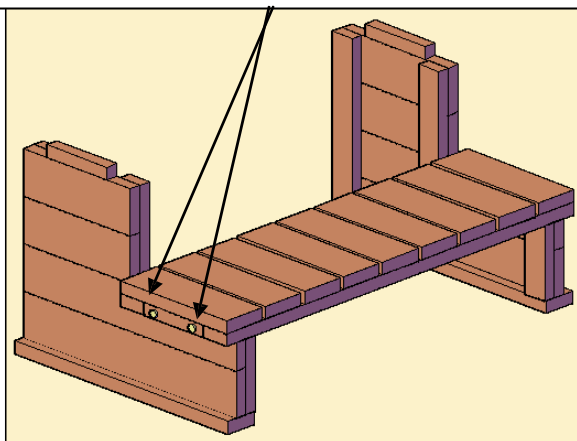
CONTENT OF THE BOXES



The parts that go together have the same numbers written next to the predrilled holes they attach to. Align the parts with the numbers as shown for ease of reference.

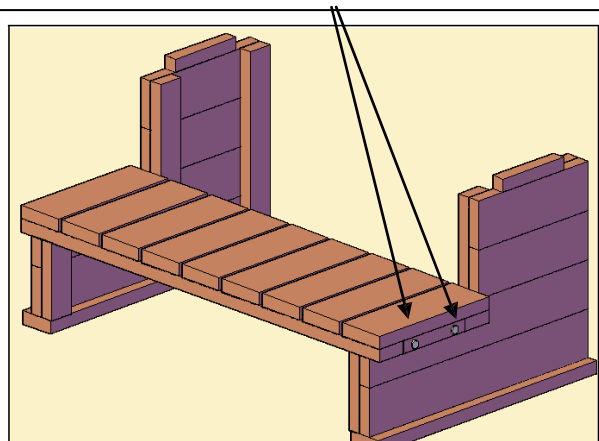
STEP 1:

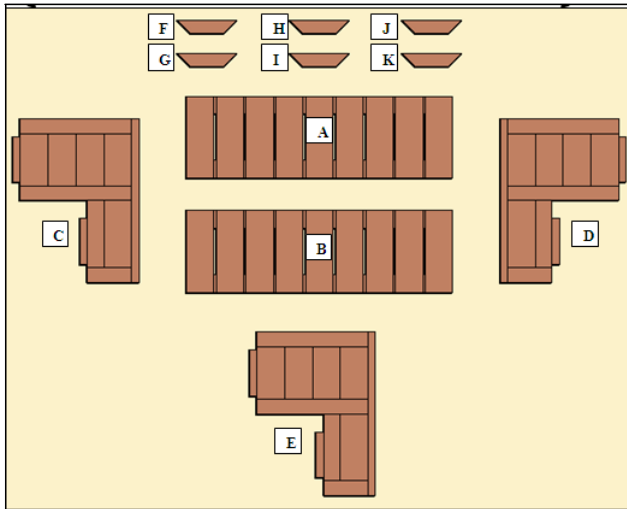
Attach part C (assembly left leg) to part B (step), with two bolts ($2\frac{1}{2}$ " x $\frac{5}{16}$ "), washers & nuts (into two holes marked "1"). Tap the bolt all the way into the wood to set it. Then add a washer and nut and lightly tighten.



STEP 2:

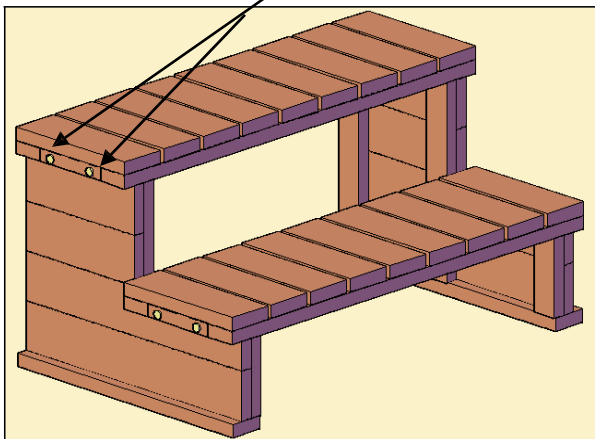
Attach part D (assembly right leg) to part B (step), with two bolts ($2\frac{1}{2}$ " x $\frac{5}{16}$ "), washers & nuts (into two holes marked "2"). Tap the bolt all the way into the wood to set it. Then add a washer and nut and lightly tighten.





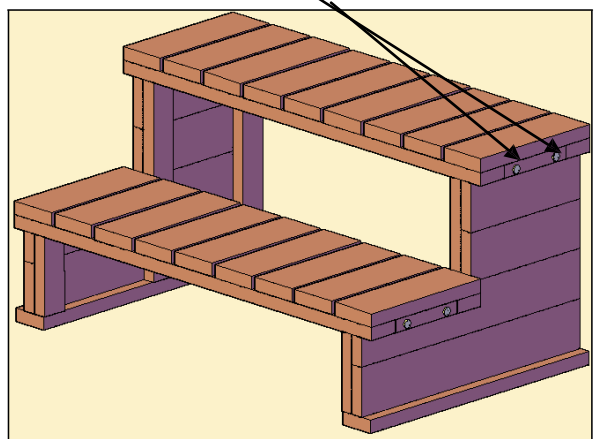
STEP 3:

Attach part C (assembly left leg) to part A (step), with two bolts (2 1/2" x 5/16"), washers & nuts (into two holes marked "3"). Tap the bolt all the way into the wood to set it. Then add a washer and nut and lightly tighten.



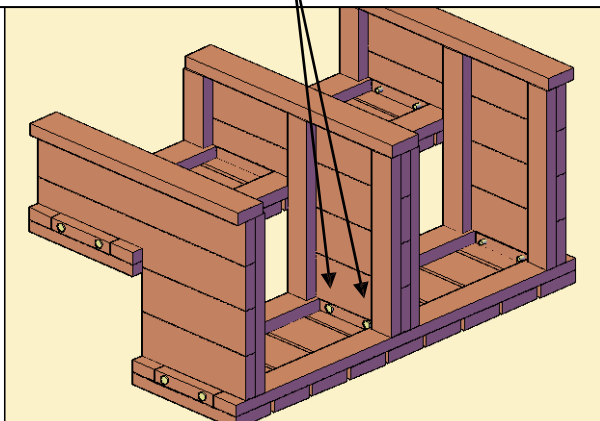
STEP 4:

Attach part D (assembly right leg) to part A (step), with two bolts (2 1/2" x 5/16"), washers & nuts (into two holes marked "4"). Tap the bolt all the way into the wood to set it. Then add a washer and nut and lightly tighten.



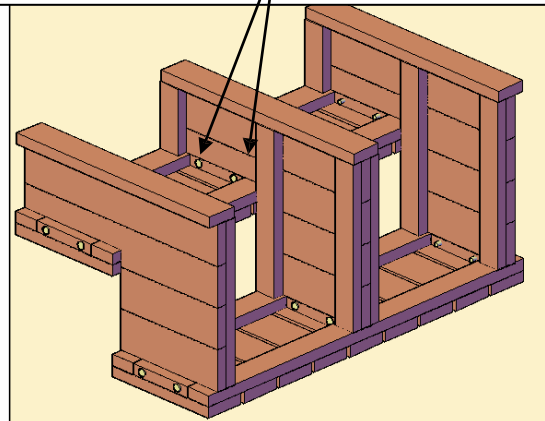
STEP 5:

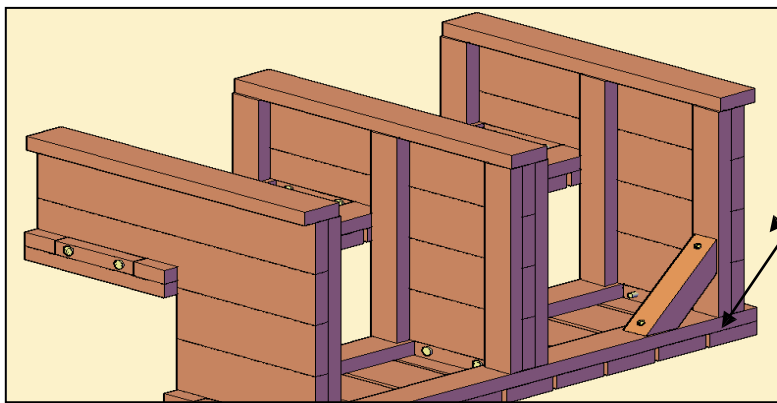
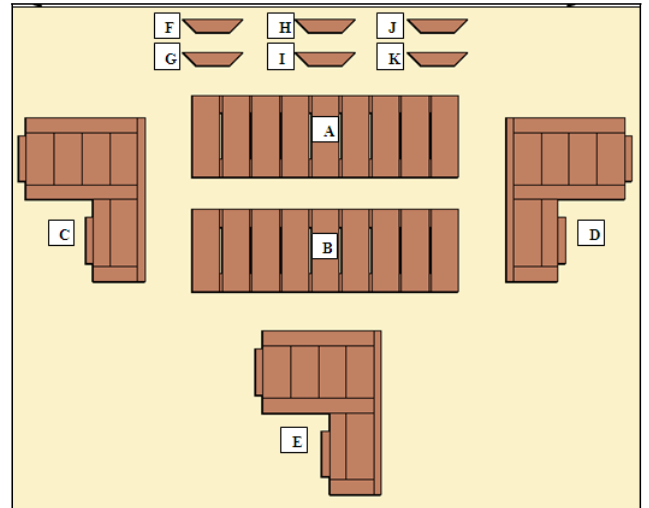
Attach part E (assembly center leg) to part A (step), with two bolts (2 1/2" x 5/16"), washers & nuts (into two holes marked "5"). Tap the bolt all the way into the wood to set it. Then add a washer and nut and lightly tighten.



STEP 6:

Attach part E (assembly half leg) to part B (step), with two bolts (2 1/2" x 5/16"), washers & nuts (into two holes marked "6"). Tap the bolt all the way into the wood to set it. Then add a washer and nut and lightly tighten.





STEP 7:
 Attach part F (support) to part A & D (step & assembly right), with two deck screws (8"x 2 1/2"),

Repeat this step with all supports.

When you finish with the supports your Spa Step should be as shown

