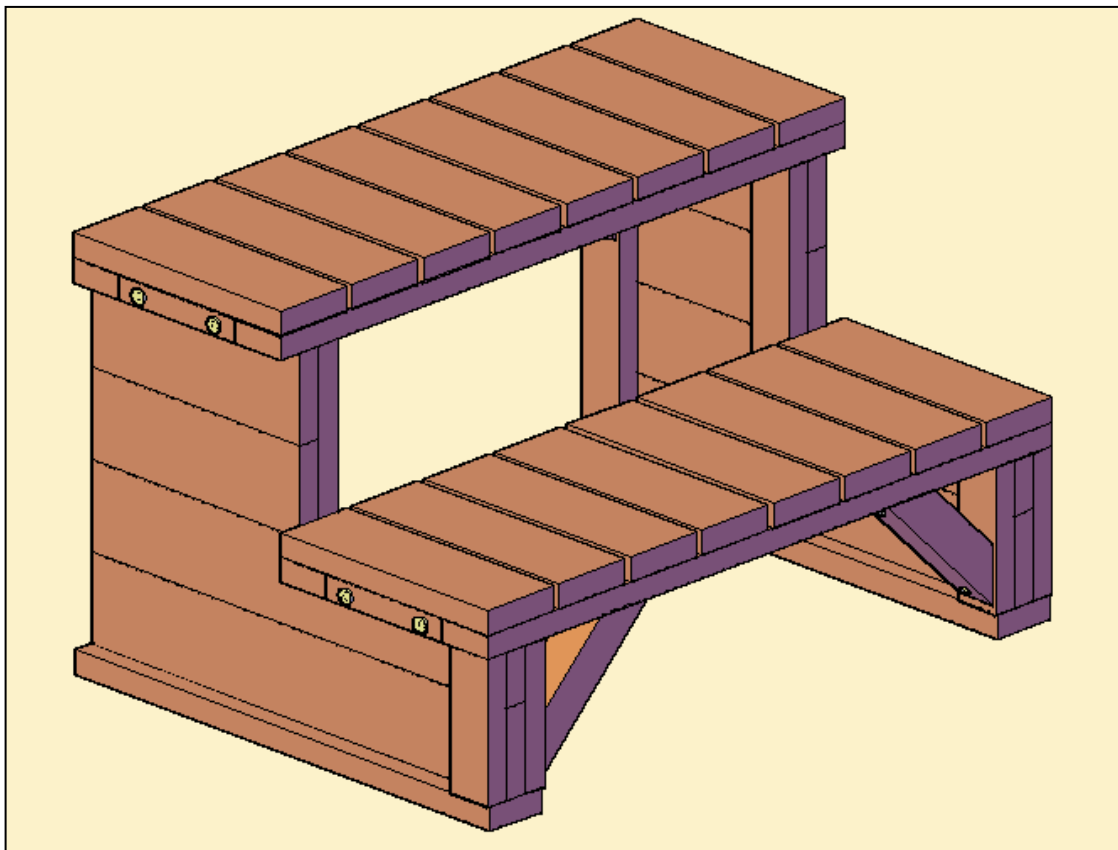
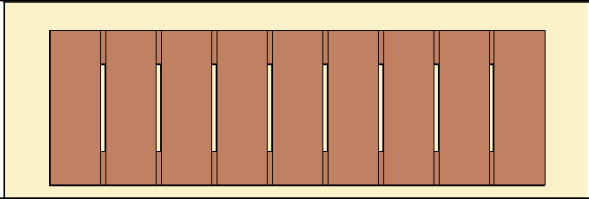
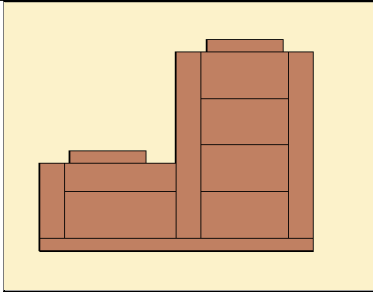
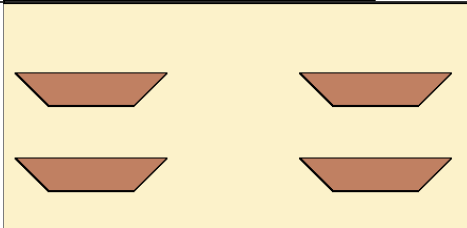


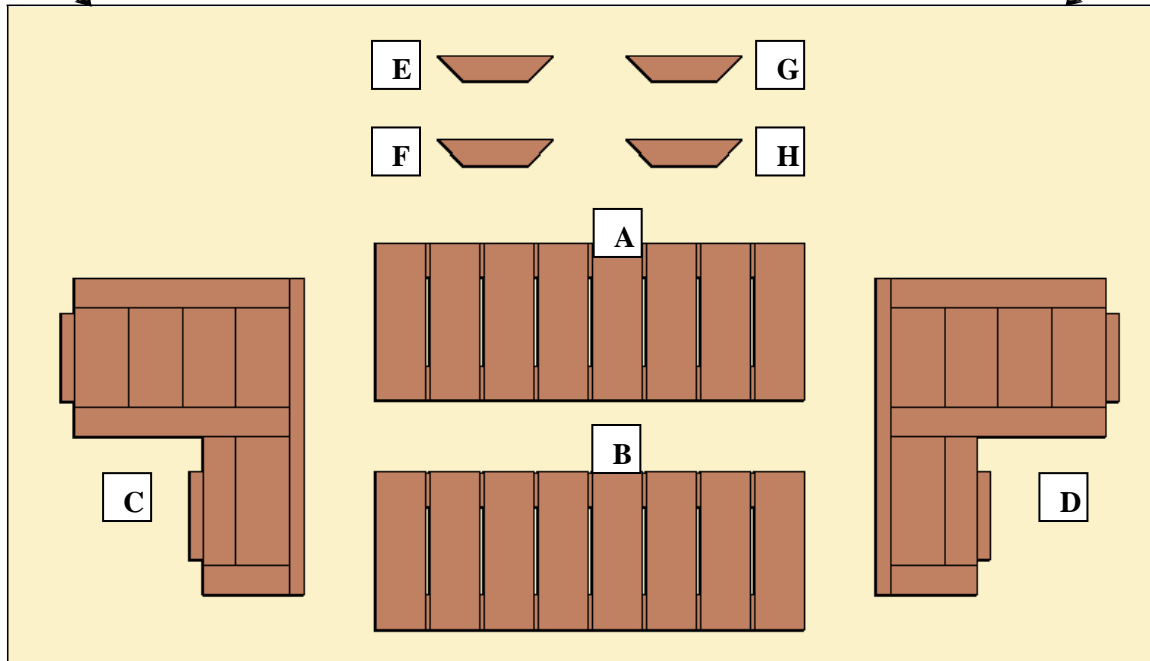
Assembly instructions for:  
**SPA STEPS 18", 24" AND 30" L**  
**(22"W X 18"H)**



<u>Quantity</u>	<u>Description</u>	<u>Drawing</u>
8	Carriage bolts 2 1/2" x 5/16", Washers and Nuts	
8	8"x 2 1/2" Deck Screws	
2	Steps (A, B)	
2	Assembly left Leg (C) and assembly right leg (D)	
4	Supports (E, F, G, H)	

# ASSEMBLY INSTRUCTIONS

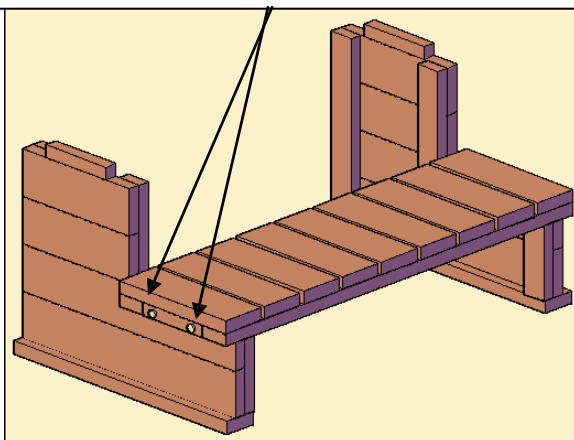
## CONTENT OF THE BOXES



The parts that go together have the same numbers written next to the predrilled holes they attach to. Align the parts with the numbers as shown for ease of reference.

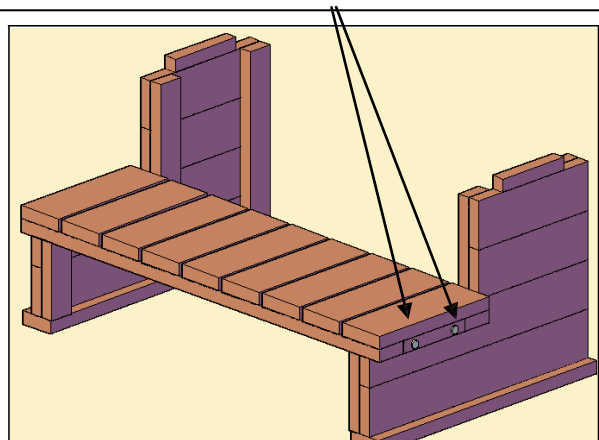
### **STEP 1:**

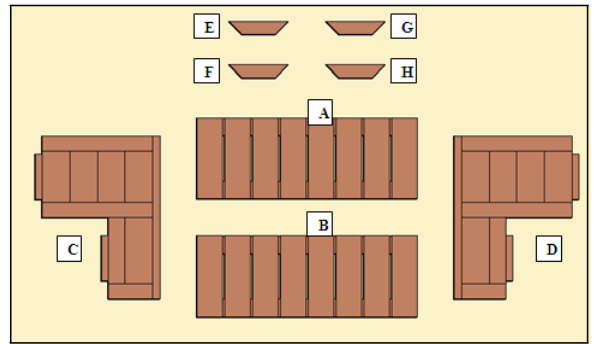
Attach part C (assembly left leg) to part B (step), with two bolts (2 ½" x 5/16"), washers & nuts (into two holes marked "1"). Tap the bolt all the way into the wood to set it. Then add a washer and nut and lightly tighten.



### **STEP 2:**

Attach part D (assembly right leg) to part B (step), with two bolts (2 ½" x 5/16"), washers & nuts (into two holes marked "2"). Tap the bolt all the way into the wood to set it. Then add a washer and nut and lightly tighten.



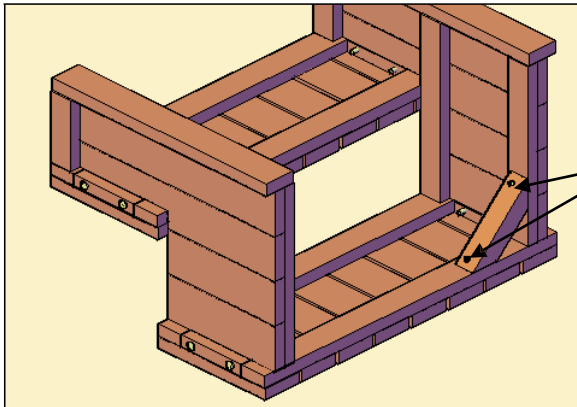
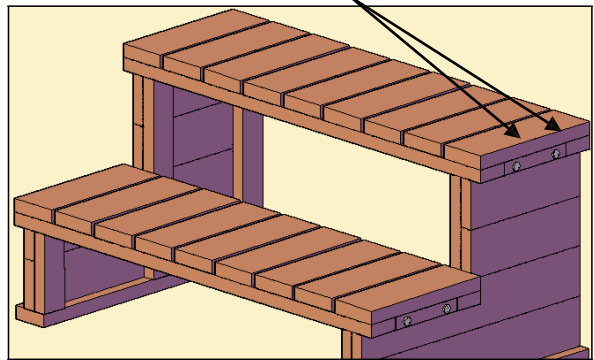
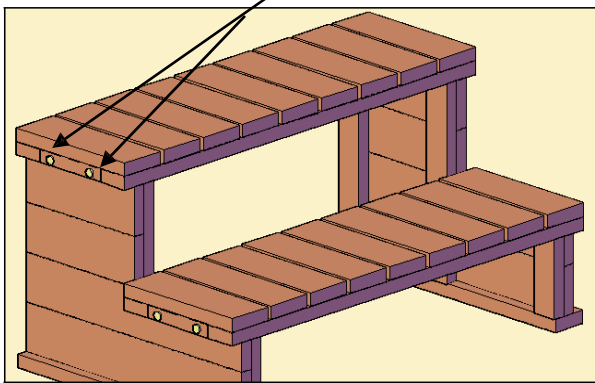


**STEP 3:**

Attach part C (assembly left leg) to part A (step), with two bolts (2 1/2" x 5/16"), washers & nuts (into two holes marked "3"). Tap the bolt all the way into the wood to set it. Then add a washer and nut and lightly tighten.

**STEP 4:**

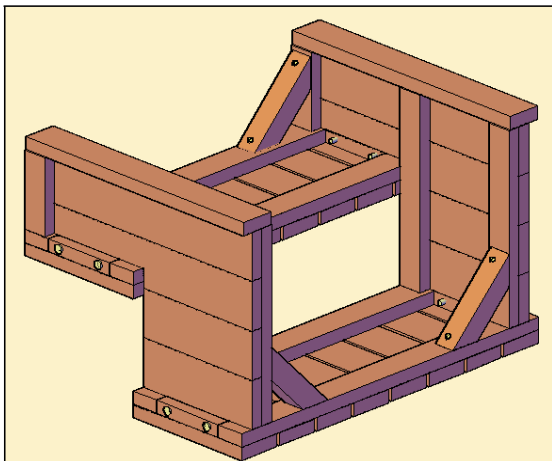
Attach part D (assembly right leg) to part A (step), with two bolts (2 1/2" x 5/16"), washers & nuts (into two holes marked "4"). Tap the bolt all the way into the wood to set it. Then add a washer and nut and lightly tighten.



**STEP 5:**

Attach part E (support) to part A & D (step & assembly right), with two screws (8" x 2 1/2"),

**Repeat this step with all supports.**



**When you finish with the supports your Spa Step should be as shown**