


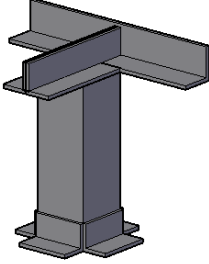
---

866.332.2403; Outside the US: 619.600.5630 7am-7pm Pacific Time, Monday-Saturday

## Assembly Instructions for: **VA WOODEN BENCH**



## **CONTENT OF BOXES**

Quantity	Description	Drawing
<b>4</b>	<b>Boards</b>	
<b>2</b>	<b>Legs</b>	
<b>12</b>	<b>3" x 5/16" Lag bolts</b>	
<b>8</b>	<b>3" x 3/8 Anchor Bolts (only if will be secured to existing flooring)</b>	

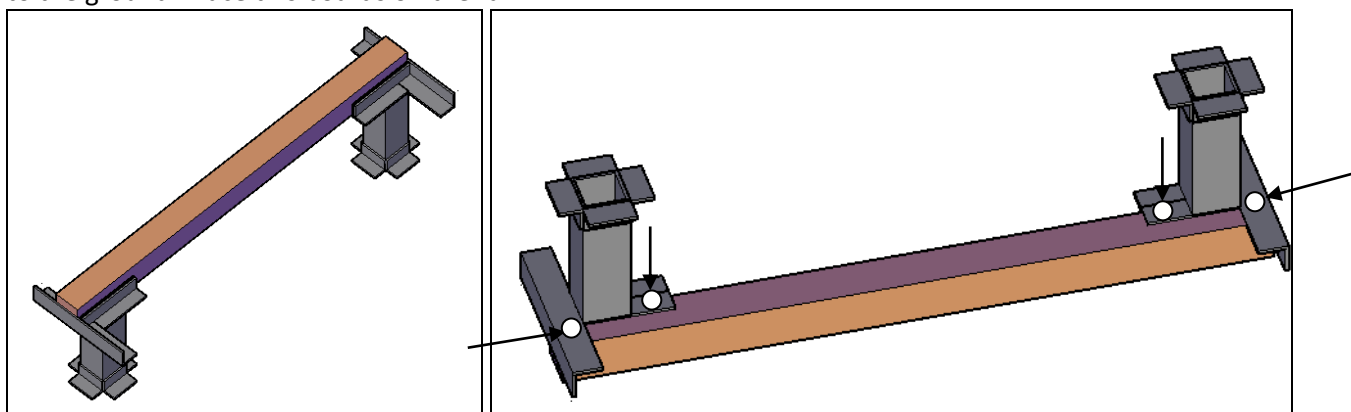
# ASSEMBLY INSTRUCTIONS

Thank you for purchasing Forever Redwood patio furniture. Forever Redwood is built by Old-Growth Again Restoration Forestry (OGA). OGA is dedicated to restoration forestry. Sales of patio furniture finance our restoration work in California redwood forestlands.

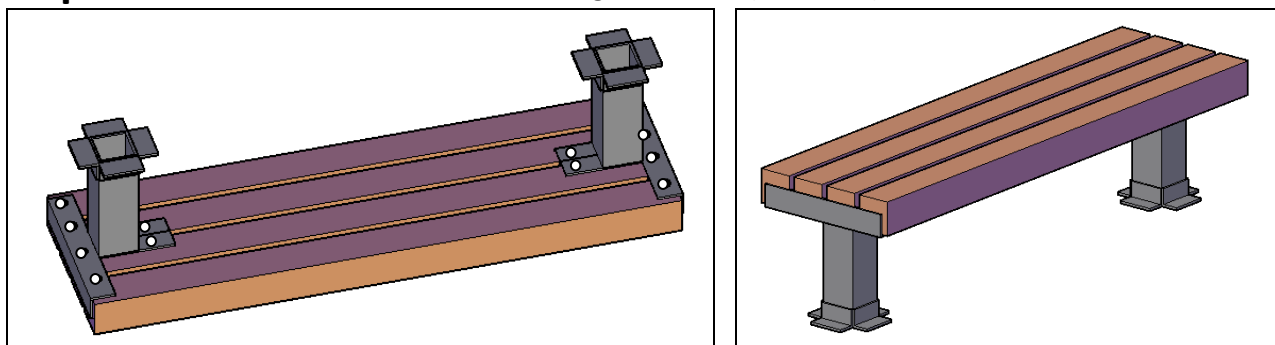
**Tools required:** ½-inch ratchet and a mallet or small hammer.

Unpack your bench and make sure you have all the parts. The parts that go together have the same numbers written next to the predrilled holes they attach to. Align the parts with the numbers as shown for ease of reference.

**Step 1:** Attach the 2 center boards to both legs with 4 lag bolts (3" x 5/16") per board before attach legs to the ground. Place this boards on the rail.



**Step 2:** Attach the rest of the boards to the legs with bolts (3" x 5/16") as shown below.



**Step 3:** The metal framing can be ordered as shown to bury underground with concrete 18" deep or the bottom can be bolted to the ground in the alternative method shown with anchor bolts into an existing concrete floor.



Thank you. If you have any questions, please call or email us.