



FOREVER REDWOOD

From the Forest, For the Forest since 1995


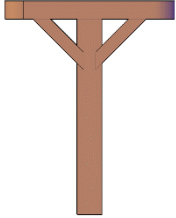


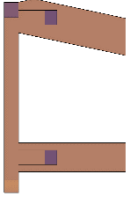
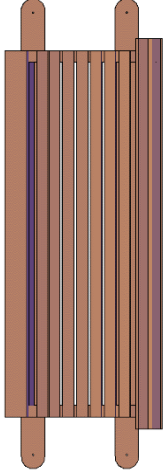
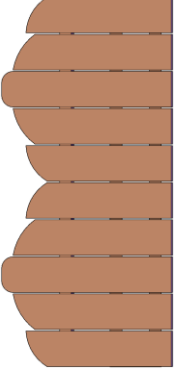
866.332.2403 (TOLL FREE); 7am – 7pm Pacific Time, Monday-Saturday

ASSEMBLY INSTRUCTIONS FOR THE **TWO SEAT ADIRONDACK SWING**





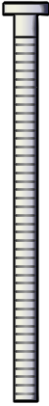

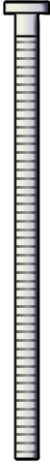
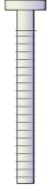


CONTENT OF BOXES

Qty.	Description	Drawing	No.
2	Supports		1
2	Legs		2
2	Base Legs		3
2	Diagonal Supports		4
2	Armrests		5
1	Seat		6
1	Backrest		7

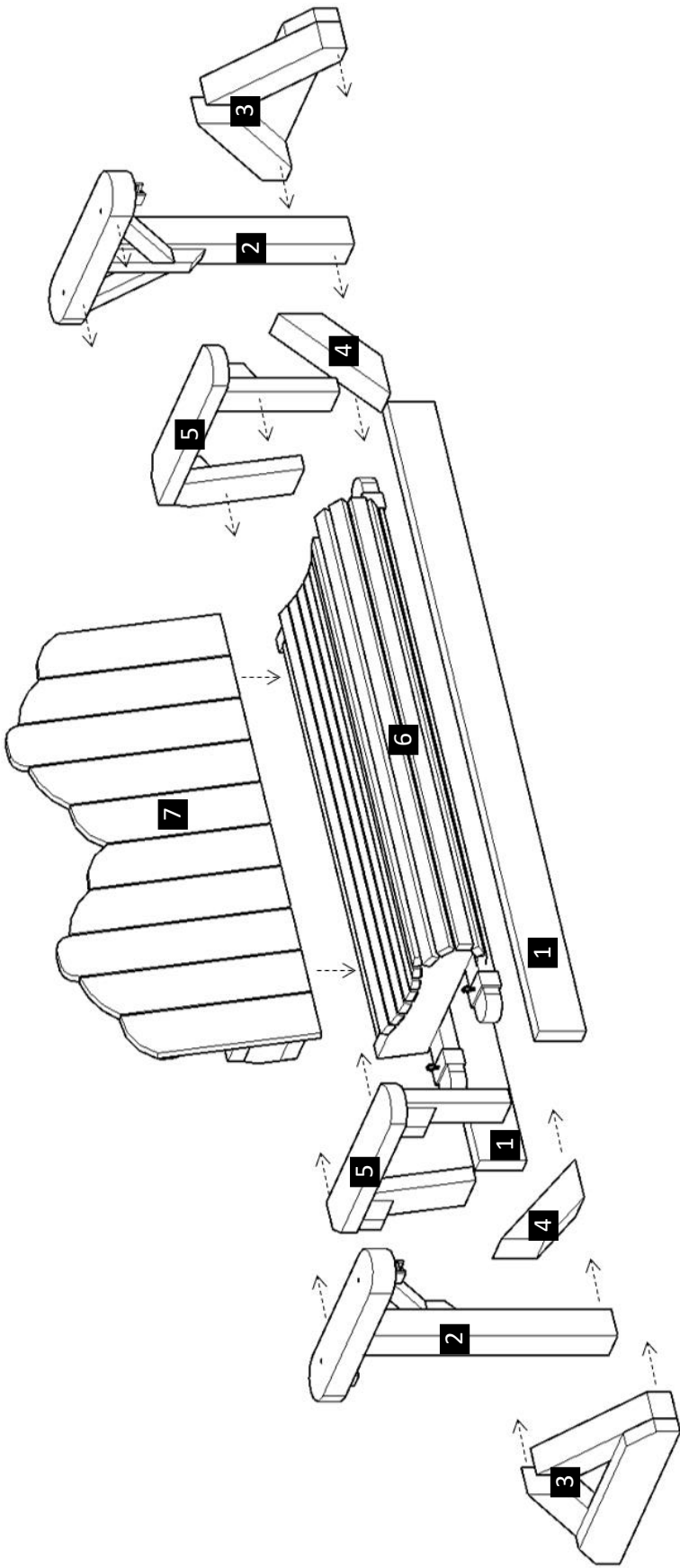
Note: Part numbers in the Content of Boxes Table are for reference only. These do not match to the numbers marked on the parts sent.



HARDWARE LIST

Description	Drawing	No.
<p>3/8" X 7" Bolts (To attach the legs to the supports. / To attach the diagonal supports to the legs and to the supports).</p>		A
<p>5/16" X 5 1/2" Bolts (To attach the base legs to the legs).</p>		B
<p>3/8" X 8" Bolts (To attach the base legs to the legs).</p>		C
<p>5/16" X 3 1/2" Bolts (To attach the armrests to the seat and to the backrests).</p>		D
Chains		E
Quick links		F

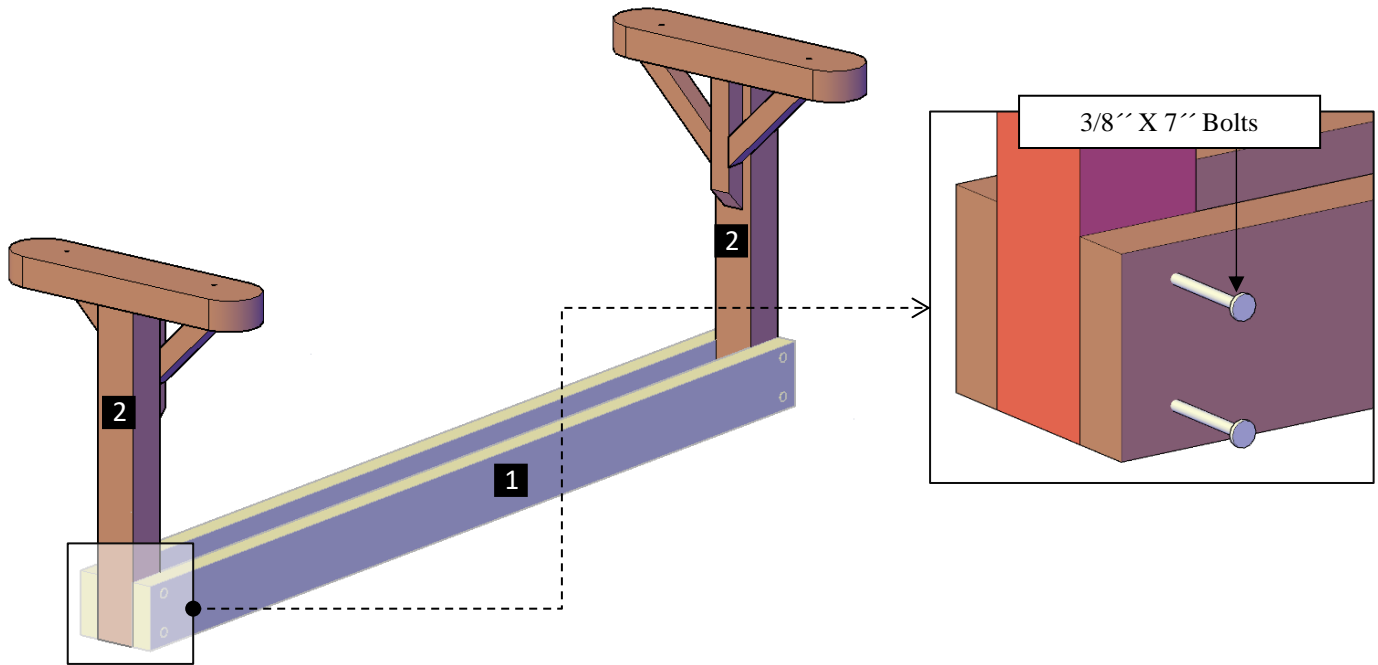
Note: Dimensions of your hardware will vary depending on size.



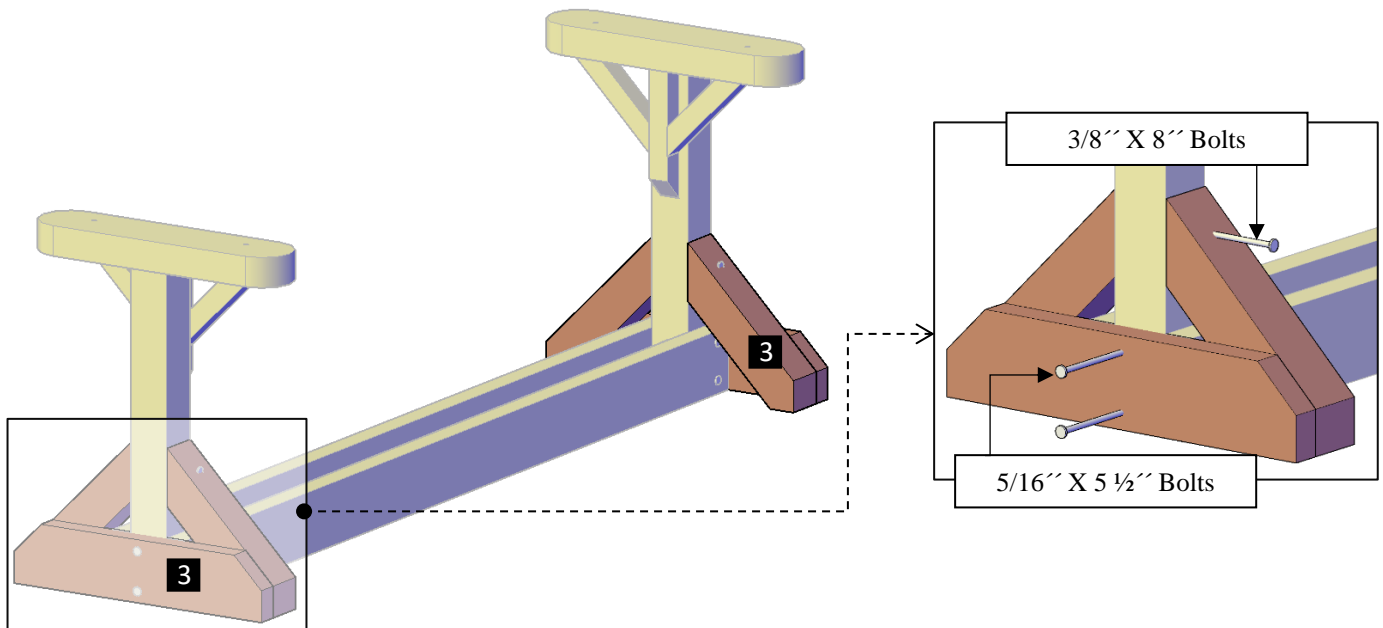
DESCRIPTION	No
Supports	1
Legs	2
Base Legs	3
Diagonal Supports	4
Armrests	5
Seat	6
Backrest	7

Note: Part numbers in the Drawing are for reference only. These do not match to the numbers marked on the parts sent.

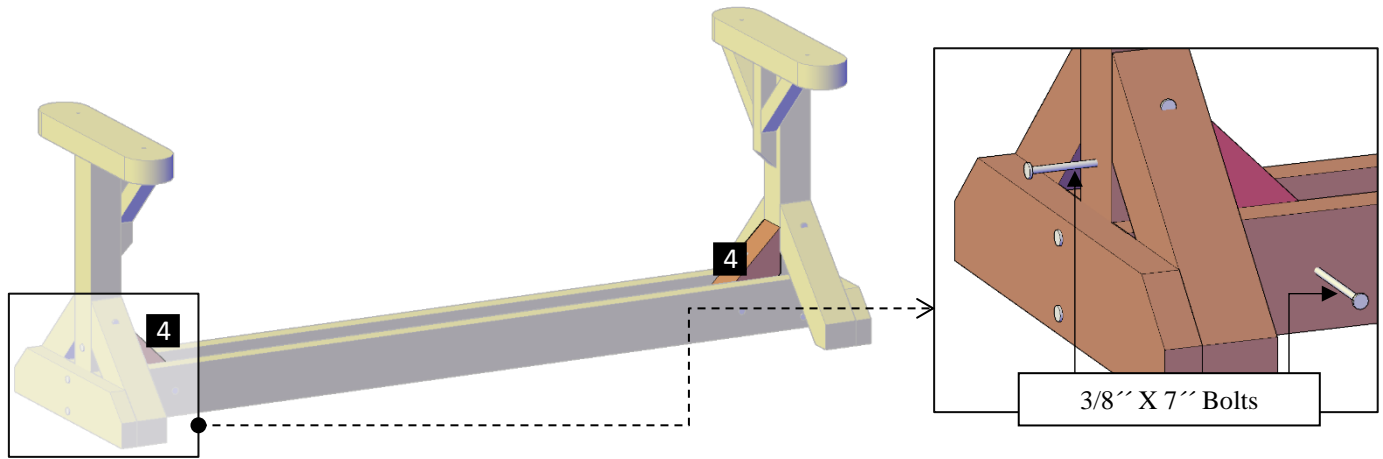
Step 1: Attach the legs (2) to the supports (1), with 3/8" X 7" bolts (A). Tap the bolt all the way into the wood to set it. Then add a washer and nut and lightly tighten. Each part has a series of numbers that indicate where to attach the part with the corresponding number



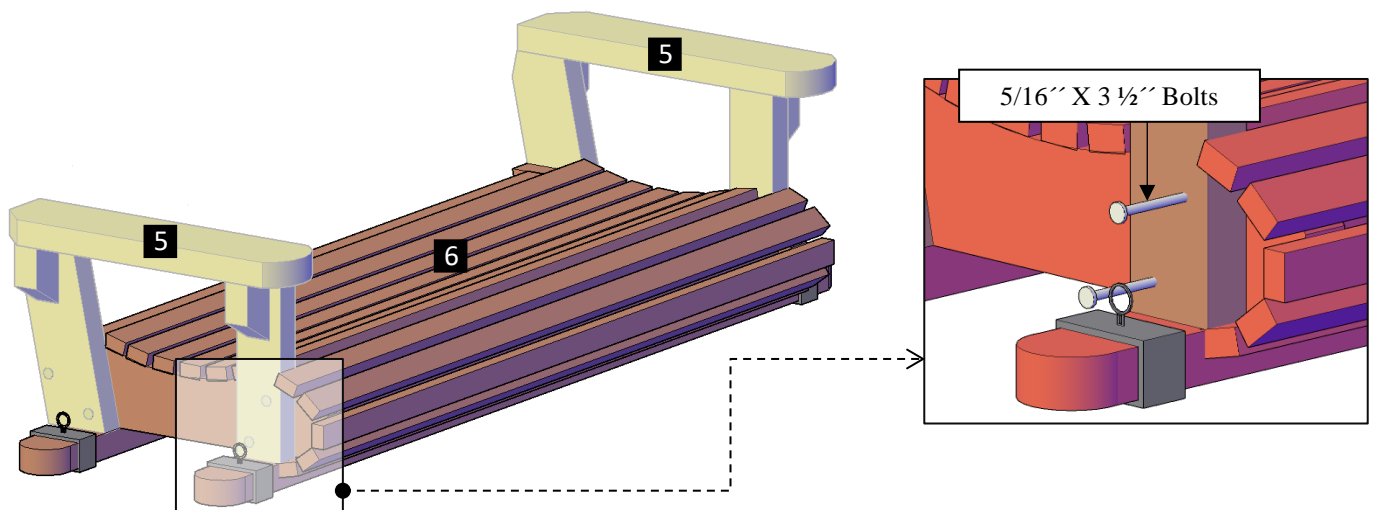
Step 2: Attach the base legs (3) to the legs with 5/16" X 5 1/2" bolts (B) and 3/8" X 8" Bolts (C). Tap the bolt all the way into the wood to set it. Then add a washer and nut and lightly tighten. Each part has a series of numbers that indicate where to attach the part with the corresponding number



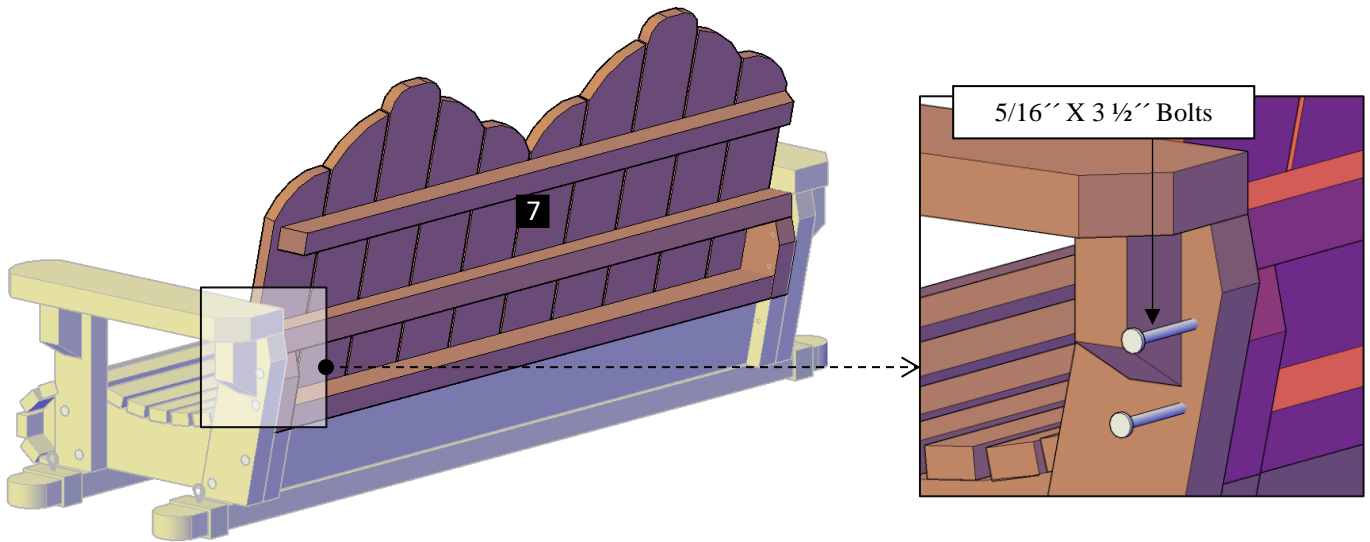
Step 3: Use 3/8" X 7" bolts (A) to attach the diagonal supports (4) to the legs and to the supports. Tap the bolt all the way into the wood to set it. Then add a washer and nut and lightly tighten. Each part has a series of numbers that indicate where to attach the part with the corresponding number



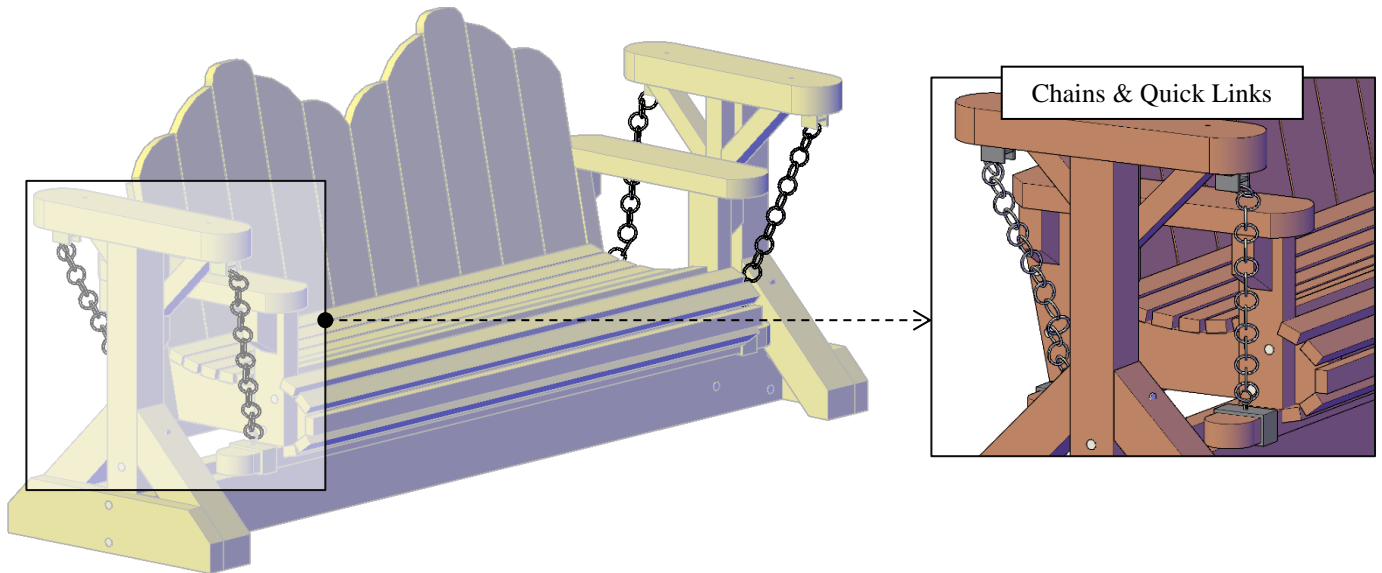
Step 4: Attach the Armrests (5) to the Seat (6), with 5/16" x 3 1/2" bolts (D), washers & nuts. Tap the bolts all the way into the wood to set it. Then add a washer and nut and lightly tighten. Each part has a series of numbers that indicate where to attach the part with the corresponding number.



Step 5: Use 5/16" x 3 1/2" bolts (D) to attach the backrest (7) to the armrests. Tap the bolts all the way into the wood to set it. Then add a washer and nut and lightly tighten. Each part has a series of numbers that indicate where to attach the part with the corresponding number



Step 6: Finally, with someone helping you, use quick links (F) and chains (E) to join the seat glider to the frame glider. Take a few minutes to adjust the chain height to your preference.





This completes the assembly of the Two Seat Adirondack Glider; I hope you enjoy your set for many decades. If you ever have a problem or question, do not hesitate to call us (866 332 2403) or send us an email. We are here to support you.