

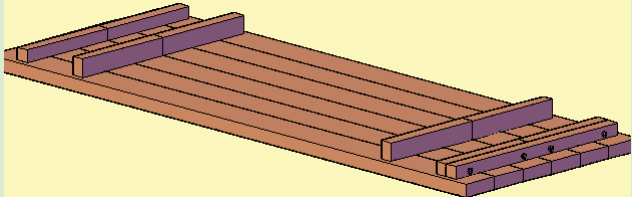
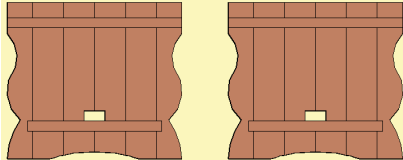
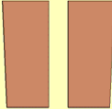
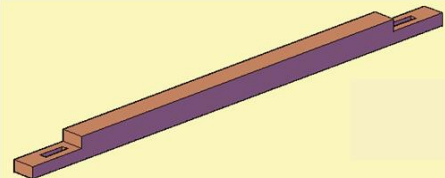
---

866.332.2403; Outside the US: 619.600.5630 7am-7pm Pacific Time, Monday-Saturday

## Assembly Instructions for: **TRESTLE NATURAL WOOD OUTDOOR TABLE**



## CONTENT OF BOXES

Quantity	Description	Drawing
1	Tabletop	
2	Legs	
2	Leg Supports	
1	Trestle Beam	
4	Carriage Bolts 3 1/2" x 5/16", Washers and Nuts	

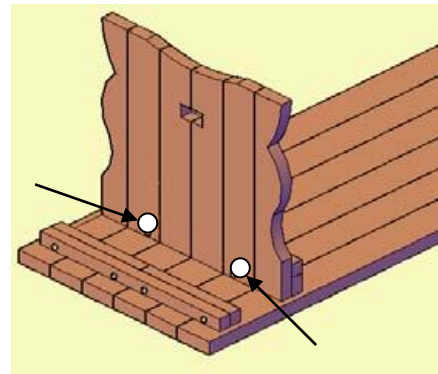
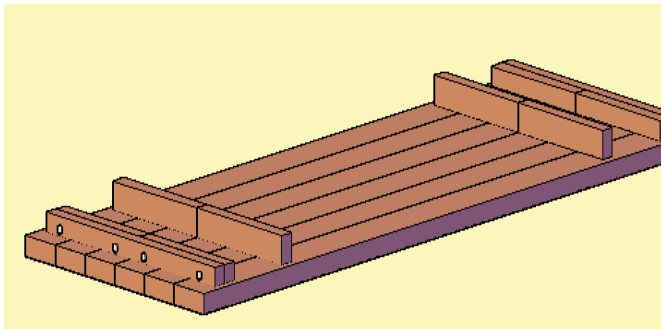
# ASSEMBLY INSTRUCTIONS

Thank you for purchasing Forever Redwood patio furniture. Forever Redwood is built by Old-Growth Again Restoration Forestry (OGA). OGA is dedicated to restoration forestry. Sales of patio furniture finance our restoration work in California redwood forestlands.

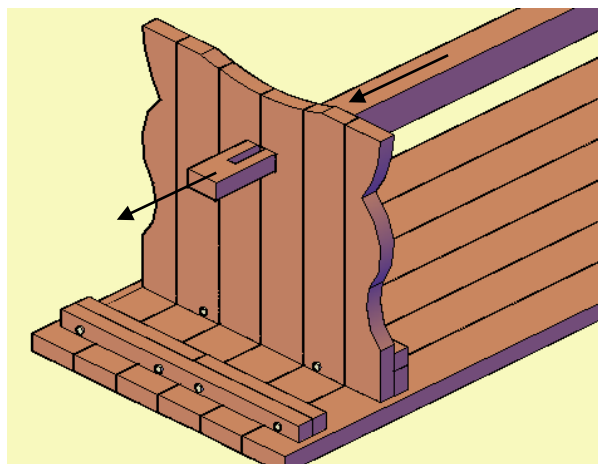
**Tools required:** ½-inch ratchet and a mallet or small hammer.

Unpack your table and make sure you have all the parts. The parts that go together have the same numbers written next to the predrilled holes they attach to. Align the parts with the numbers as shown for ease of reference.

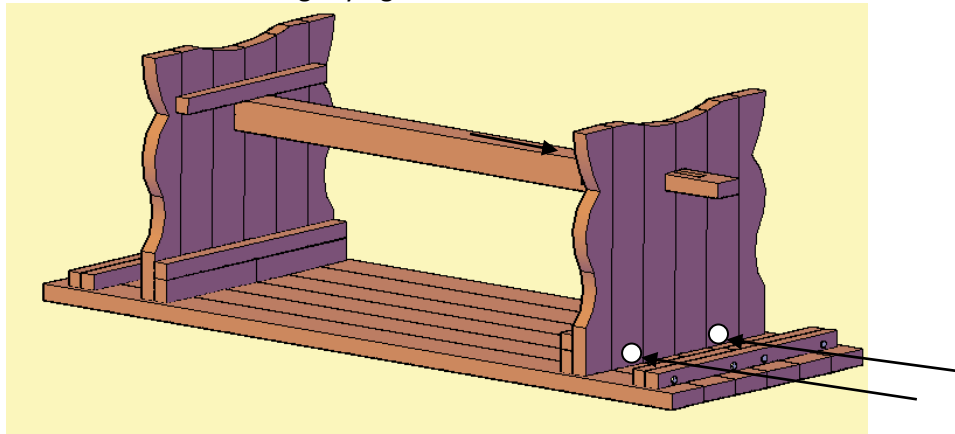
**Step 1:** Place the tabletop on a soft surface upside down. Attach one leg to tabletop, with two carriage bolts (4" x 5/16"), washers & nuts (match the numbers written next to the predrilled holes on both pieces). Tap the bolt all the way into the wood to set it, then add a washer and nut and lightly tighten.



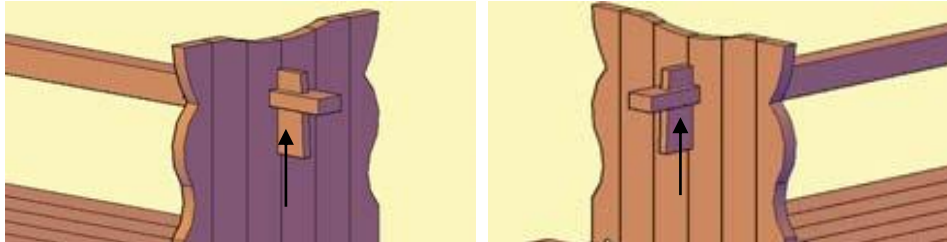
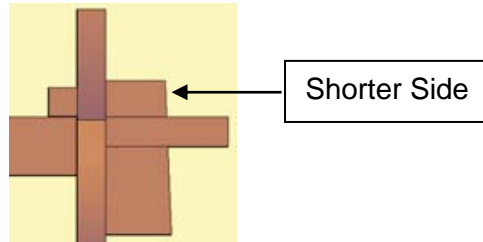
**Step 2:** Insert trestle beam into leg as shown below:



**Step 3:** Place the other leg in the other side of tabletop and insert the trestle beam into it. Attach this leg to tabletop, with two carriage bolts (4" x 5/16"), washers & nuts. Tap the bolt all the way into the wood to set it. Then add a washer and nut and lightly tighten.



**Step 4:** Insert leg supports into trestle beam holes. One each side.





Carefully turn the table around. Be careful not to place all the weight of the table on one leg – the table is very heavy and can damage the point where the leg attaches if too much stress is placed on that point.

Thank you. If you have any questions, please call or email us.