

---

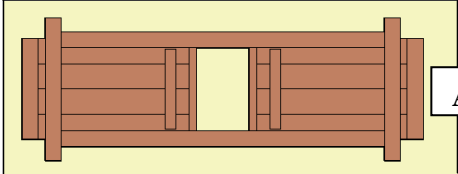
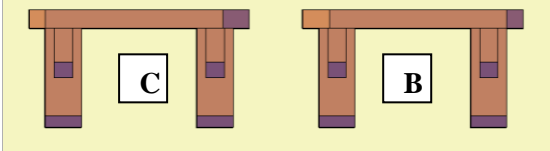
866.332.2403 (Toll Free); 7am-7pm Pacific Time, Monday-Saturday

## Assembly instructions for: **TONY LOUNGERS**

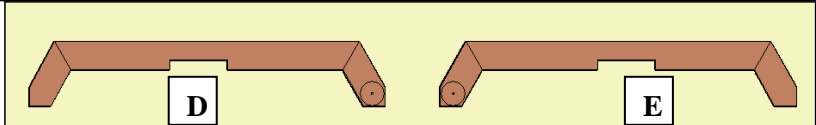


**Number of boxes: 4**

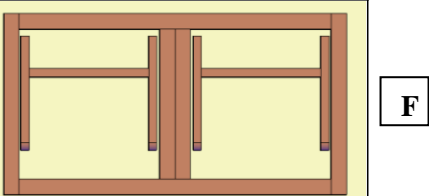
Box 1 of 4

<u>Quantity</u>	<u>Description</u>	<u>Drawing</u>
20	Carriage Bolts 3 1/2" x 5/16", Washers and Nuts	
1	Snack Trays (A)	
2	Armrest assemblies Left (B) & Right (C)	

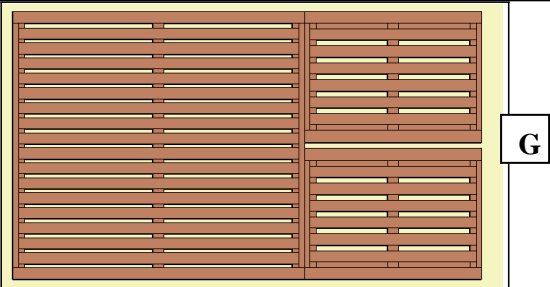
Box 2 of 4

<u>Quantity</u>	<u>Description</u>	<u>Drawing</u>
2	Leg assemblies Left (E) & Right (D)	

Box 3 of 4

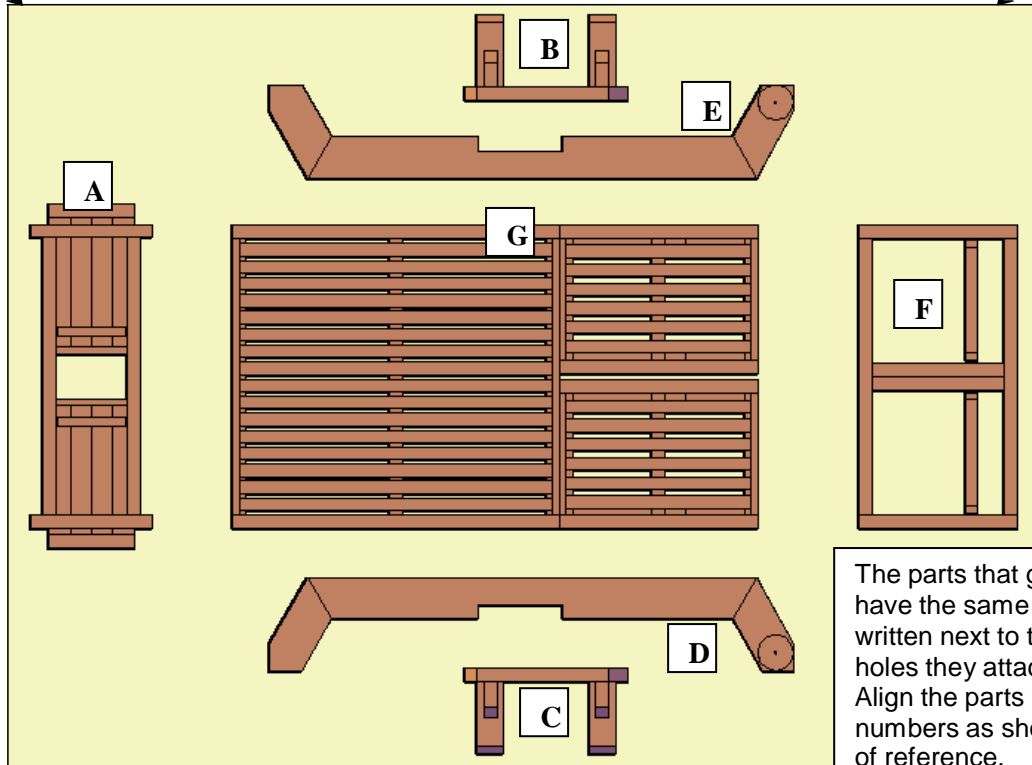
<u>Quantity</u>	<u>Description</u>	<u>Drawing</u>
1	Backrest Support (F)	

Box 4 of 4

<u>Quantity</u>	<u>Description</u>	<u>Drawing</u>
1	Bed (G)	

# ASSEMBLY INSTRUCTIONS

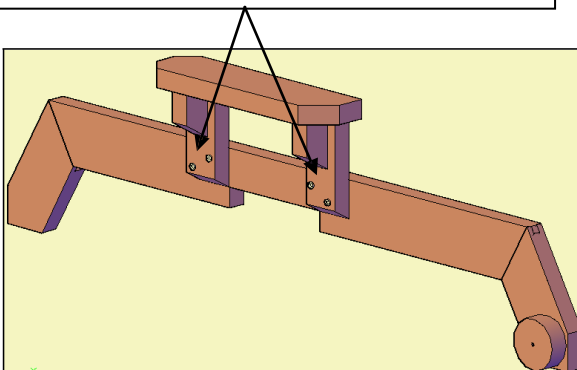
## CONTENT OF THE BOXES



The parts that go together have the same numbers written next to the predrilled holes they attach to. Align the parts with the numbers as shown for ease of reference.

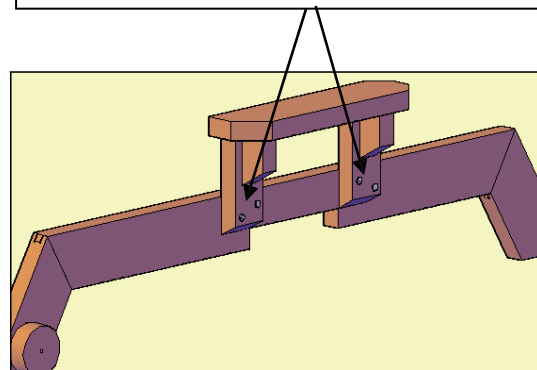
### **STEP 1:**

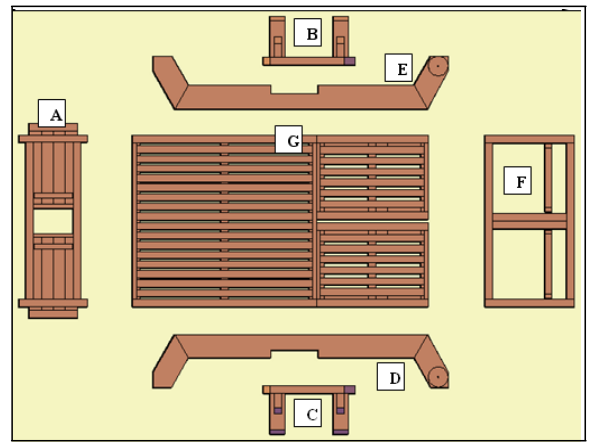
Attach part C (Arm assembly right) to part D (Leg assembly right), with four bolts (3 1/2" x 5/16"), washers & nuts (holes number one & X into holes number one & X). Tap the bolt all the way into the wood to set it. Then add a washer and nut and lightly tighten.



### **STEP 2:**

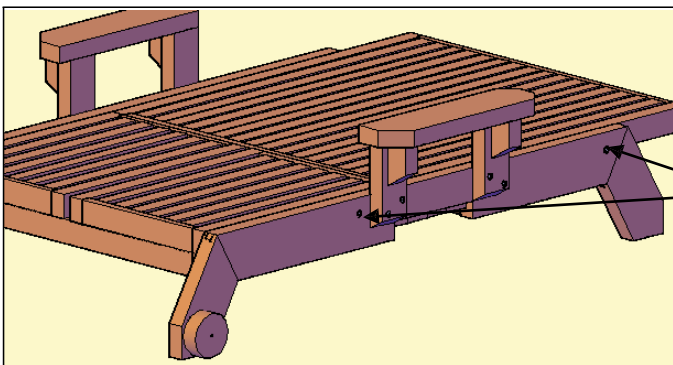
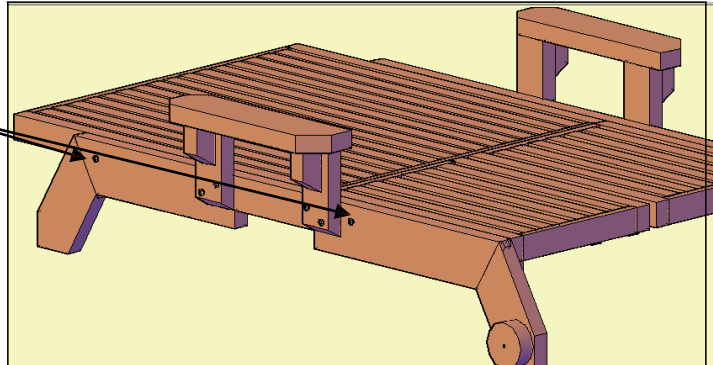
Attach part B (Arm assembly left) to part E (Leg assembly left), with four bolts (3 1/2" x 5/16"), washers & nuts (holes number two & X into holes number two & X). Tap the bolt all the way into the wood to set it. Then add a washer and nut and lightly tighten.





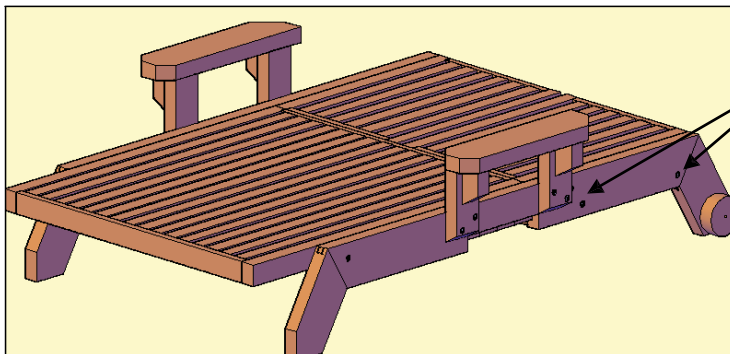
**STEP 3:**

Attach part D (Leg assembly right) to part G (Bed), with two bolts (3 1/2" x 5/16"), washers & nuts (hole number three into hole number three). Tap the bolt all the way into the wood to set it. Then add a washer and nut and lightly tighten.



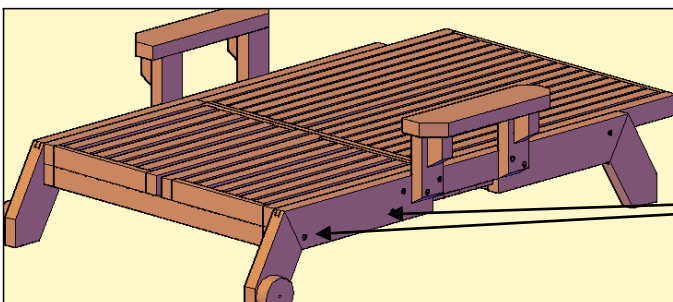
**STEP 4:**

Attach part D (Leg assembly left) to part G (Bed), with two bolts (3 1/2" x 5/16"), washers & nuts (hole number four into hole number four). Tap the bolt all the way into the wood to set it. Then add a washer and nut and lightly tighten.



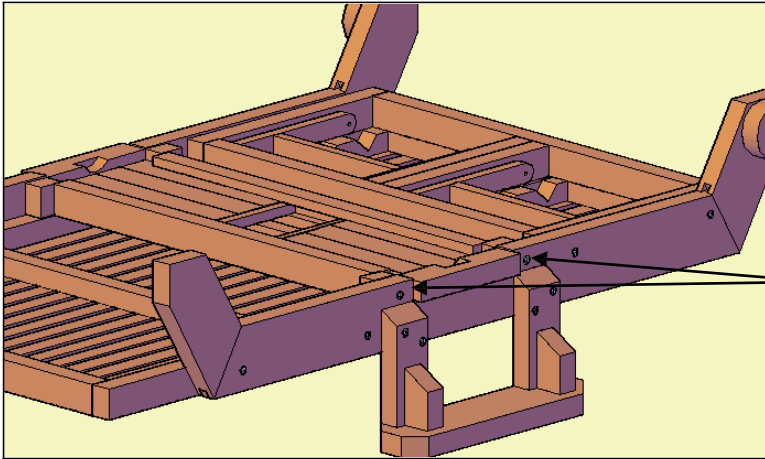
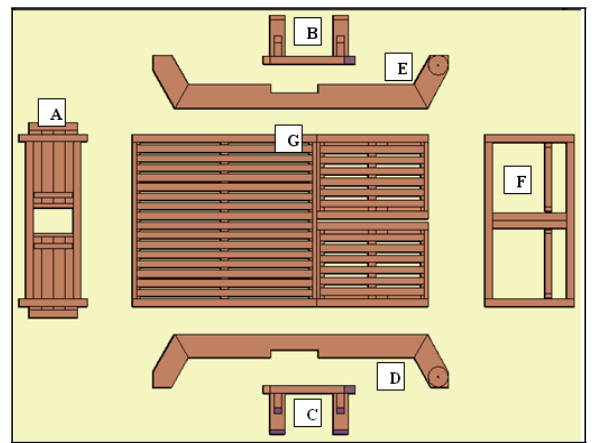
**STEP 5:**

Attach part D (leg assembly right) to part F (Backrest support), with two bolts (3 1/2" x 5/16"), washers & nuts (hole number five into hole number five). Tap the bolt all the way into the wood to set it. Then add a washer and nut and lightly tighten.



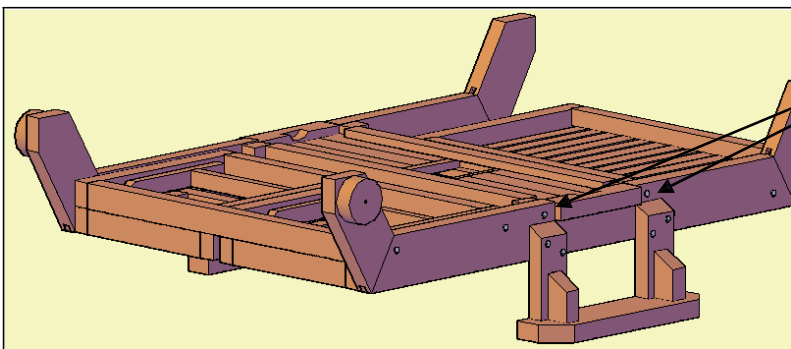
**STEP 6:**

Attach part E (leg assembly left) to part F (Backrest support), with two bolts (3 1/2" x 5/16"), washers & nuts (hole number six into hole number six). Tap the bolt all the way into the wood to set it. Then add a washer and nut and lightly tighten.



**STEP 7:**

Attach part E (Leg assembly Left) to part A (Snack Trays), with two bolts (3 1/2" x 5/16"), washers & nuts (hole number seven into hole number seven). Tap the bolt all the way into the wood to set it. Then add a washer and nut and lightly tighten.



**STEP 8:**

Attach part E (Leg assembly right) to part A (Snack Trays), with two bolts (3 1/2" x 5/16"), washers & nuts (hole number eight into hole number eight). Tap the bolt all the way into the wood to set it. Then add a washer and nut and lightly tighten.

