



# FOREVER REDWOOD

*From the Forest, For the Forest since 1995*

---

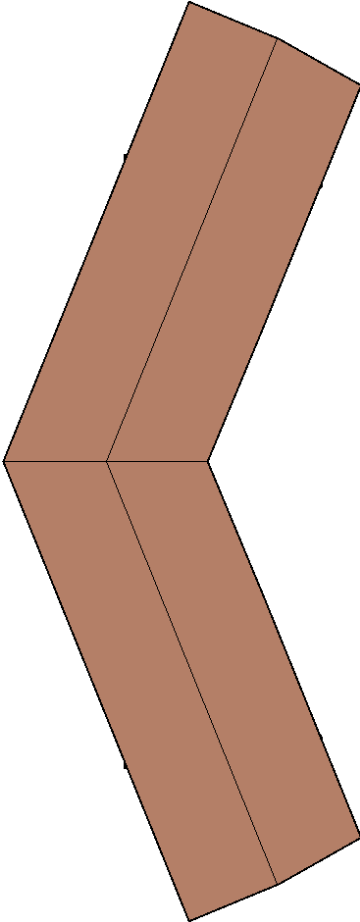
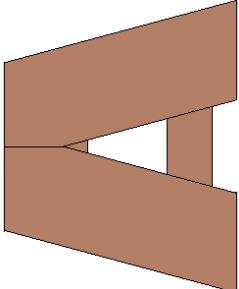
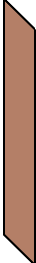
866.332.2403 (TOLL FREE); 7am – 7pm Pacific Time, Monday-Saturday

## ASSEMBLY INSTRUCTIONS FOR **THE V-WING BENCHES**





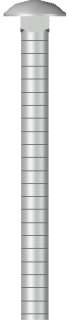


**CONTENT OF BOXES**

Qty.	Description	Drawing	No.
1	Seat		1
2	Legs		2
2	Diagonal Supports		3

*Note: Part numbers in the Content of Boxes Table are for reference only. These do not match to the numbers marked on the parts sent.*

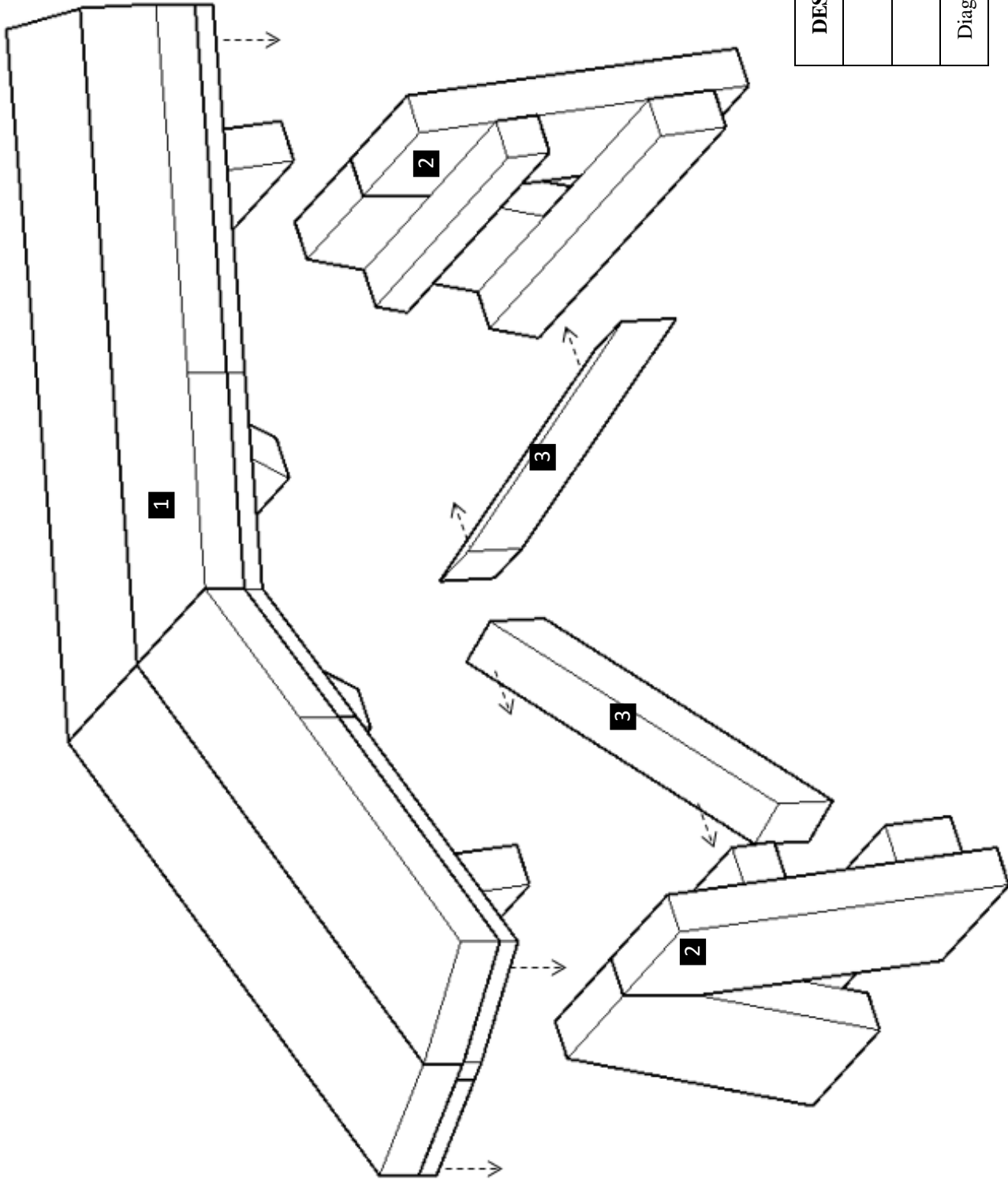


**HARDWARE LIST**

<b>Description</b>	<b>Drawing</b>	<b>No.</b>
5/16'' X 3 1/2'' Bolts (To attach legs to the seat. / To attach the diagonal supports to the seat and to the legs).		A
3/8'' x 7/8'' Nuts		B
5/16'' Washers		C

*Note: Dimensions of your hardware will vary depending on size.*

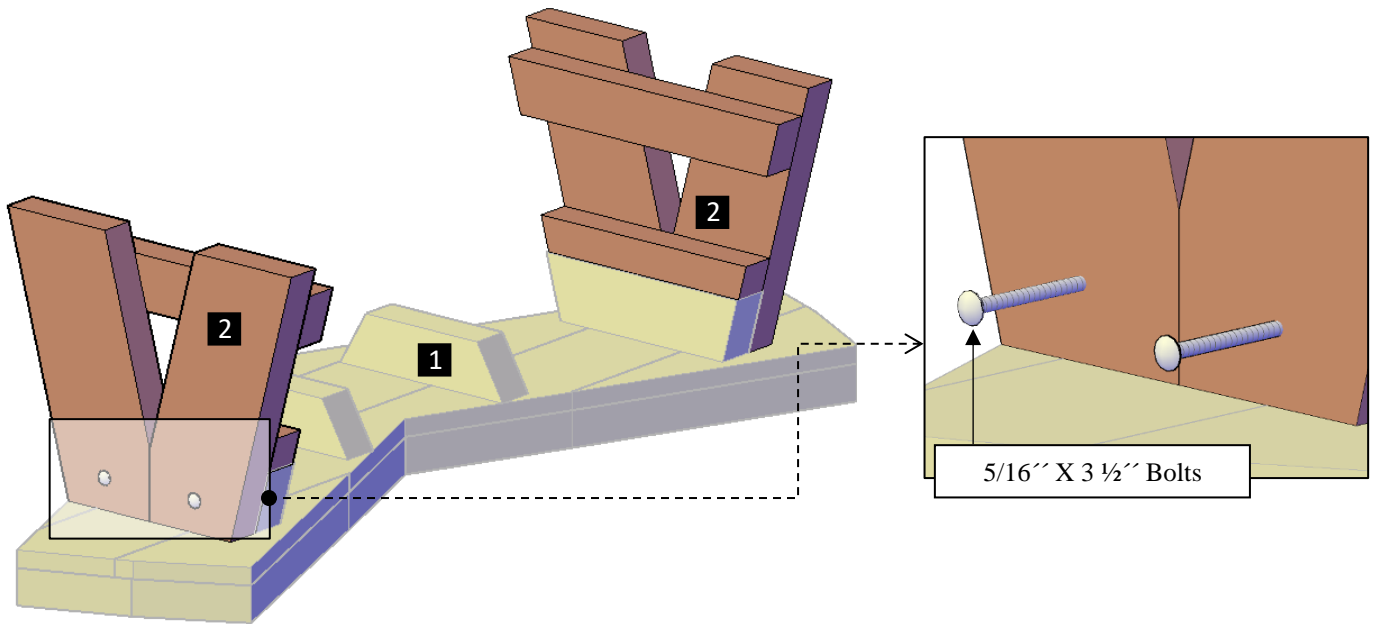




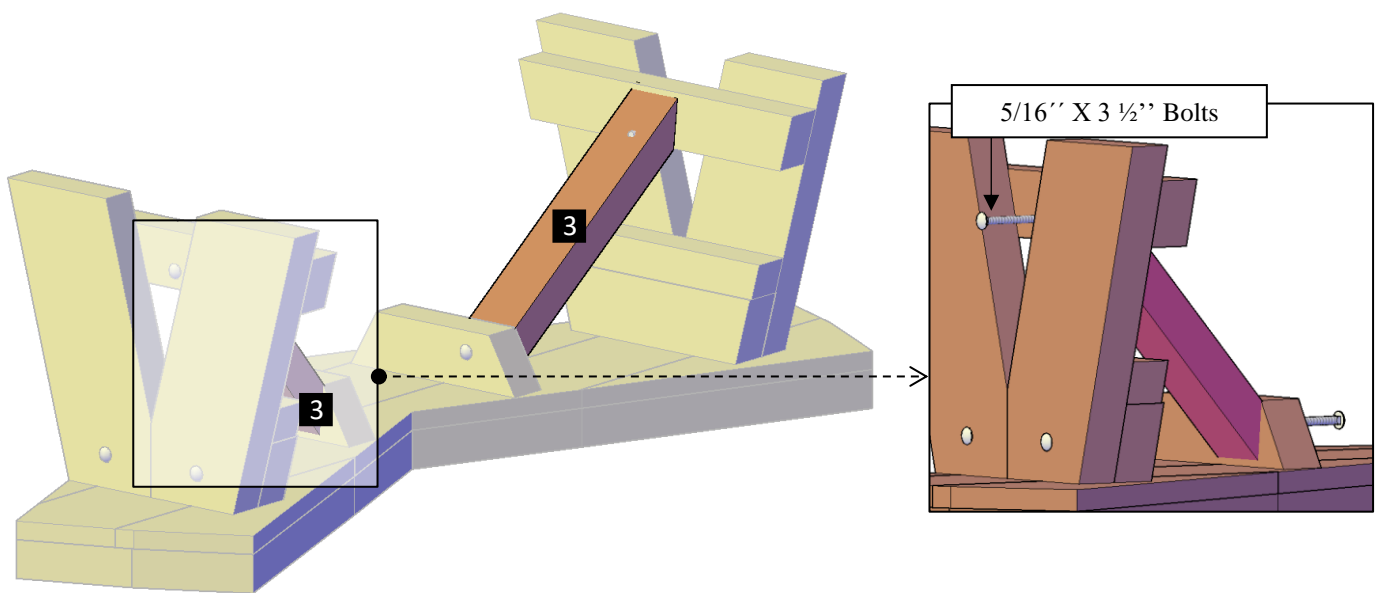
DESCRIPTION	No
Seat	1
Legs	2
Diagonal Supports	3

*Note: Part numbers in the Drawing are for reference only. These do not match to the numbers marked on the parts sent.*

**Step 1:** Place the bench upside down. After that, attach the legs (2) to the seat (1) with 5/16" x 3 1/2" bolts (A) with washers and nuts. Each part has a series of numbers that indicate where to attach the part with the corresponding number.



**Step 2:** Use 5/16" x 3 1/2" bolts (A), washers and nuts to attach the diagonal supports (3) to the bench and to the seat. Each part has a series of numbers that indicate where to attach the part with the corresponding number.



**Step 3:** Finally, turn the bench over its feet.



*This completes the Bench Assembly. Hope you enjoy your set for many decades. If you ever have a problem or a question, don't hesitate to call us (866 332 2403) or email us. We are here to support you.*