



# FOREVER REDWOOD

*From the Forest, For the Forest since 1995*

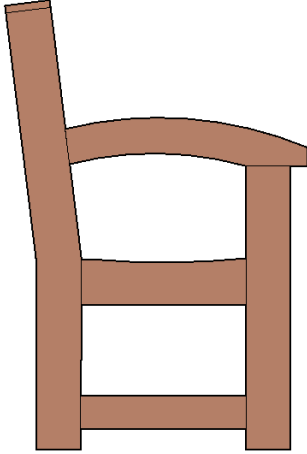
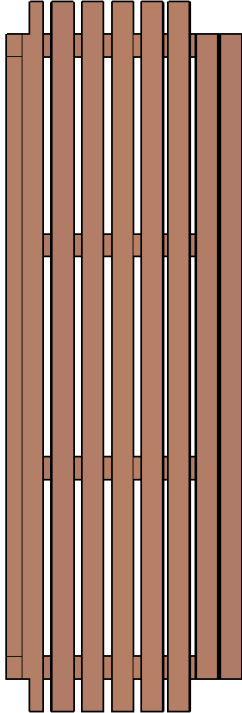
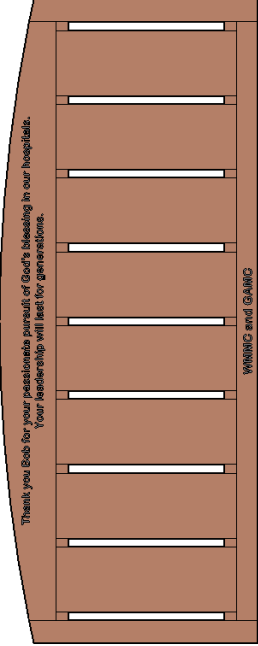


866.332.2403 (TOLL FREE); 7am – 7pm Pacific Time, Monday-Saturday

## ASSEMBLY INSTRUCTIONS FOR THE THE PRESIDENTIAL BENCH





**CONTENT OF BOXES**

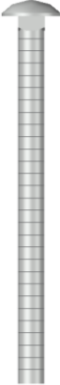
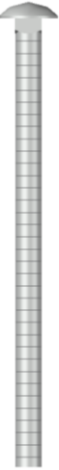
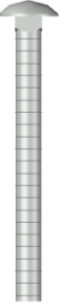
Qty.	Description	Drawing	No.
2	Legs		1
1	Seat		2
1	Backrest		3
1	Support		4
2	Diagonal Supports		5

*Note: Part numbers in the Content of Boxes Table are for reference only. These do not match to the numbers marked on the parts sent.*



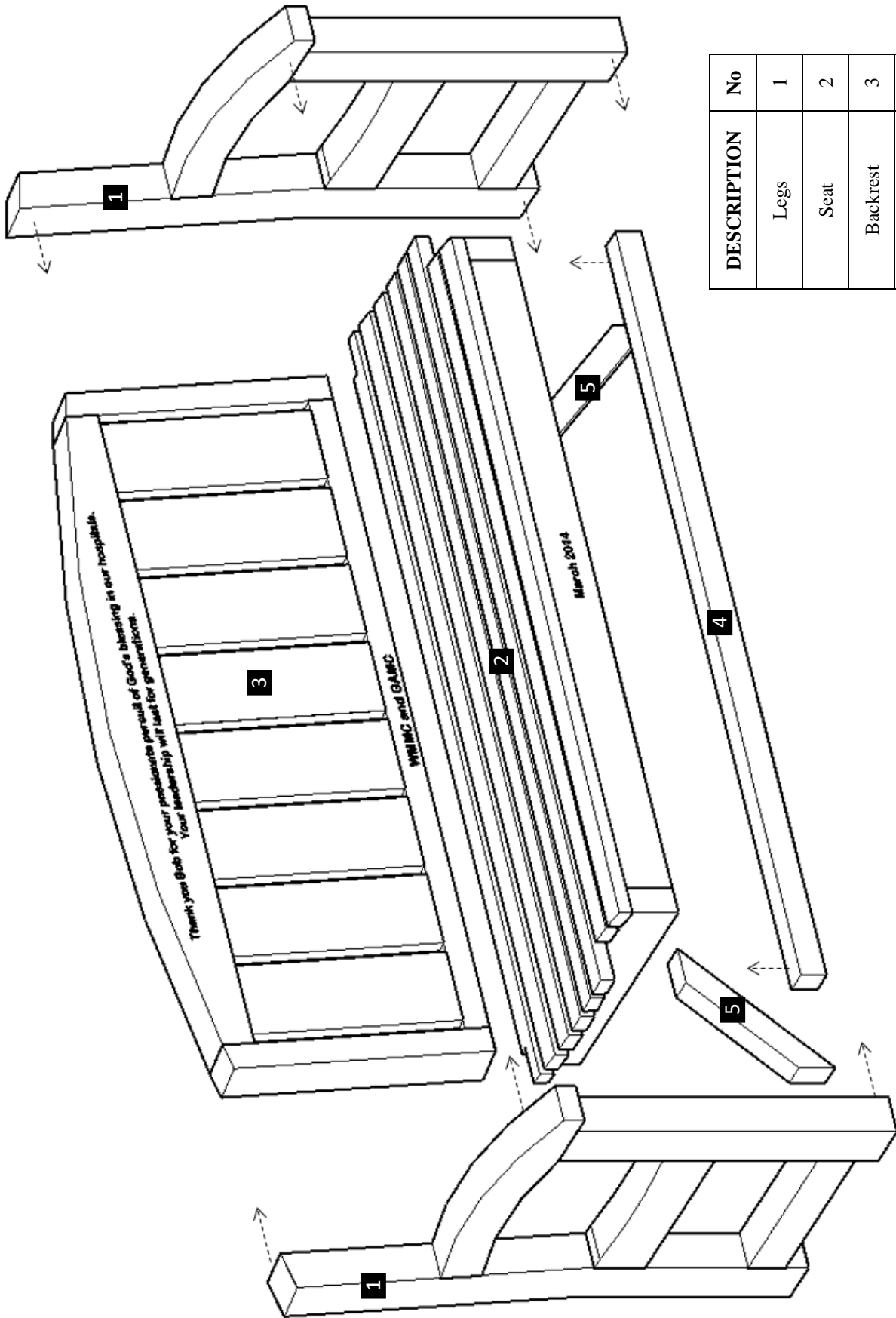


**HARDWARE LIST**

<b>Description</b>	<b>Drawing</b>	<b>No.</b>
5/16" X 4 1/2" Bolts (To attach the seat and the backrest to the legs).		A
5/16" X 5 1/2" Bolts (To attach the support and the diagonal supports to the legs).		B
5/16" X 3 1/2" Bolts (To attach the diagonal support to the seat).		C

*Note: Dimensions of your hardware will vary depending on size.*

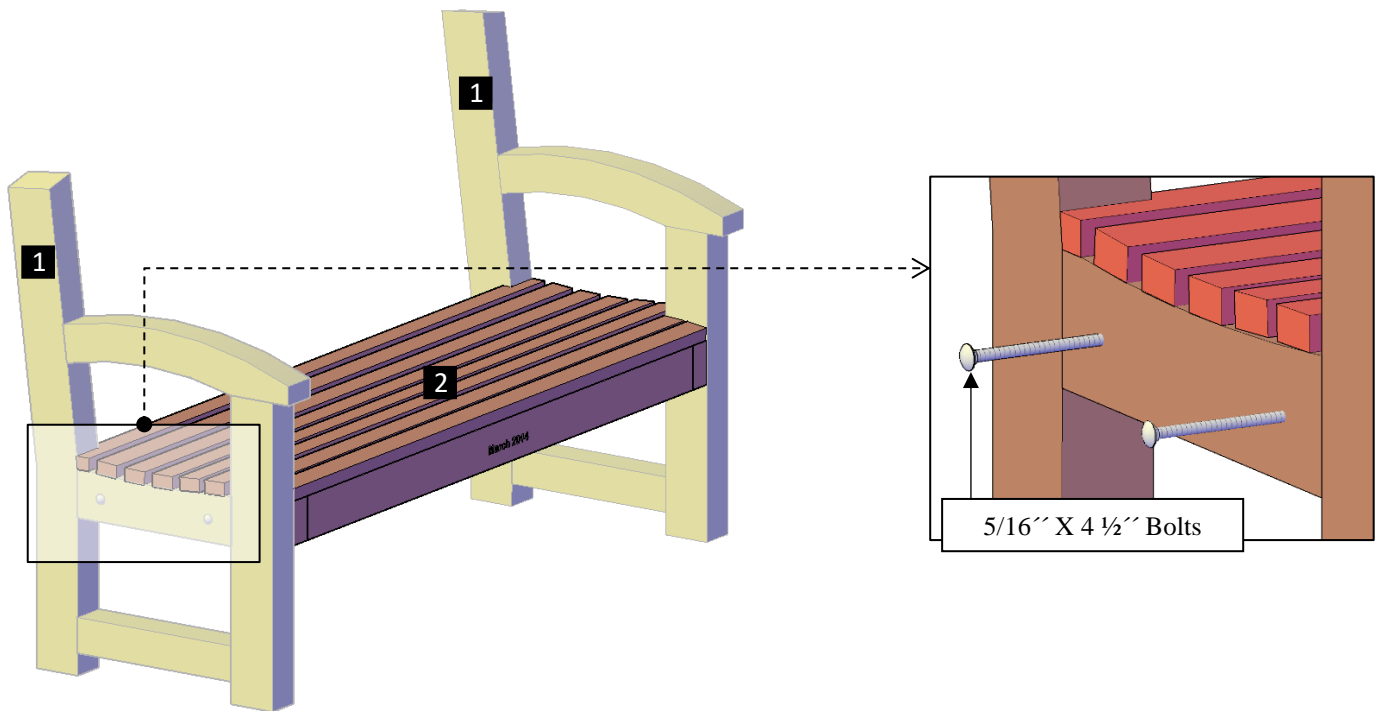




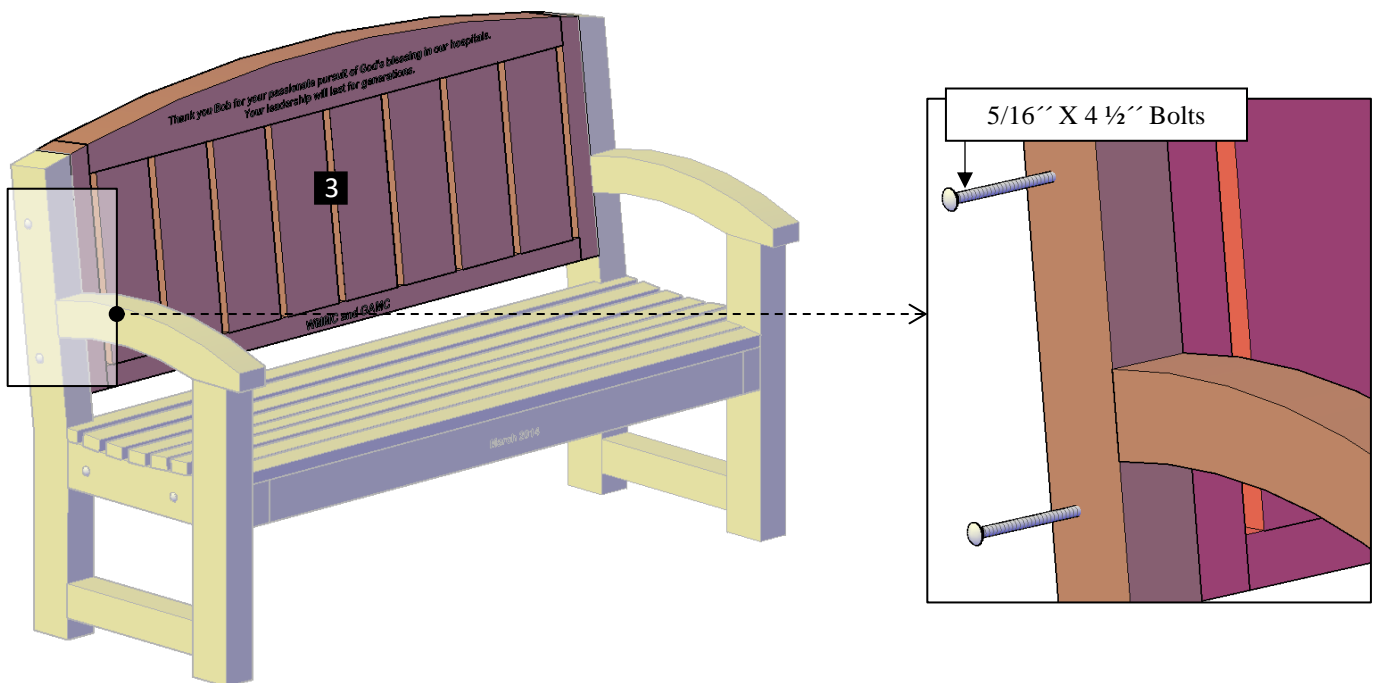
DESCRIPTION	No
Legs	1
Seat	2
Backrest	3
Support	4
Diagonal Supports	5

*Note: Part numbers in the Drawing are for reference only. These do not match to the numbers marked on the parts sent.*

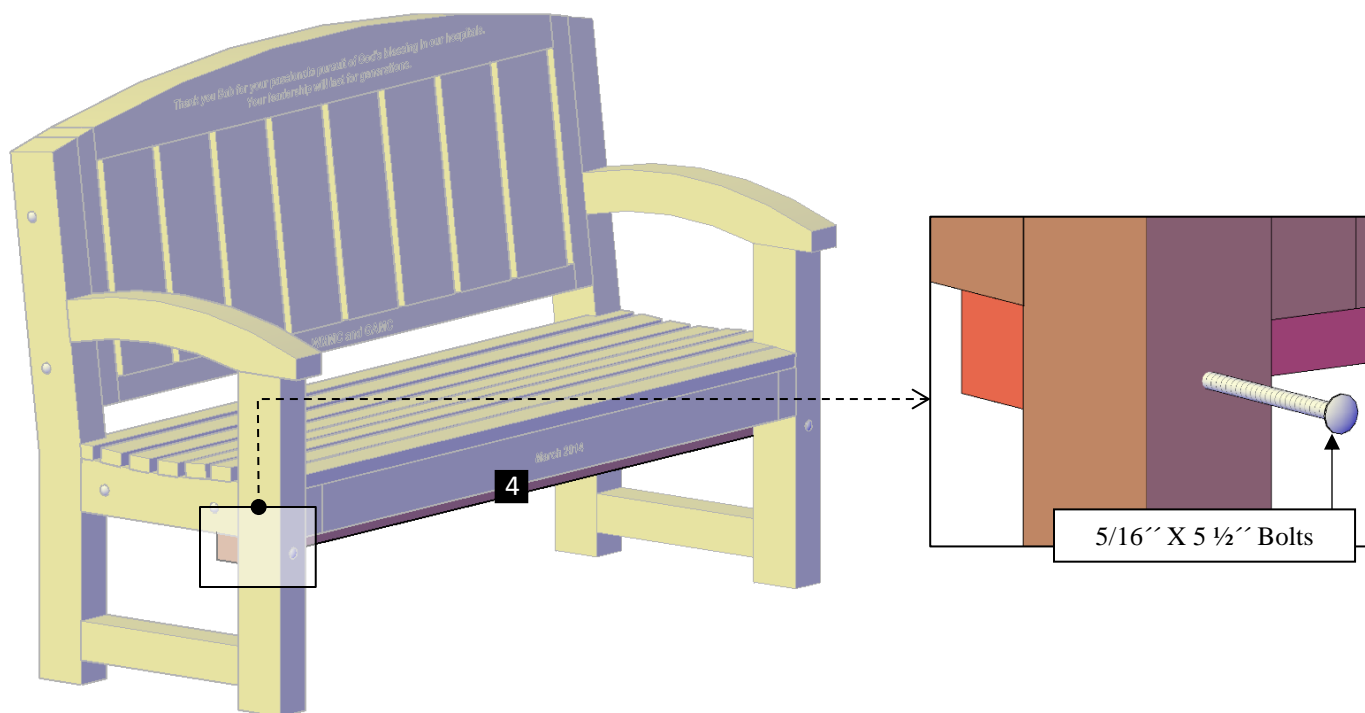
**Step 1:** Use 5/16" x 4 1/2" bolts (A) to attach the legs (1) to the seat (2). Each part has a series of numbers that indicate where to attach the part with the corresponding number.



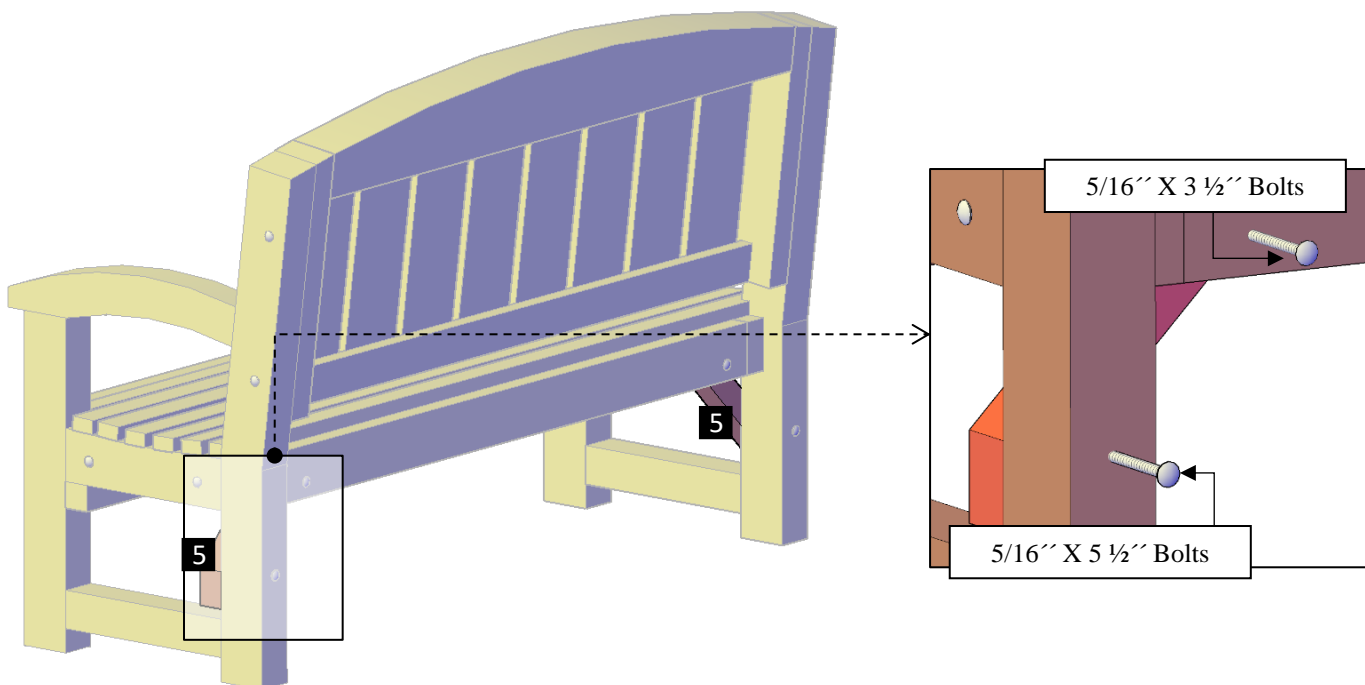
**Step 2:** Attach the backrest (3) to the legs with 5/16" x 4 1/2" bolts (A). Each part has a series of numbers that indicate where to attach the part with the corresponding number.



**Step 3:** Use 5/16" x 5 1/2" bolts (B) to attach the support (4) to the legs. Each part has a series of numbers that indicate where to attach the part with the corresponding number.



**Step 4:** Finally, attach the diagonal supports (5) to the seat with 5/16" x 3 1/2" bolts (C) and to the legs with 5/16" x 5 1/2" bolts (B). Each part has a series of numbers that indicate where to attach the part with the corresponding number.







*This completes the Bench assembly. Hope you enjoy your set for many decades. If you ever have a problem or a question, don't hesitate to call us (866 332 2403) or email us. We are here to support you.*