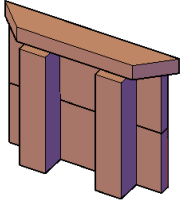
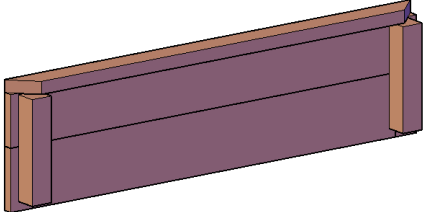
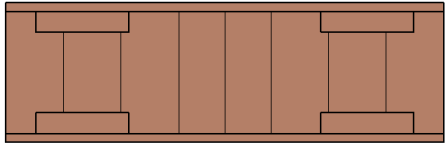
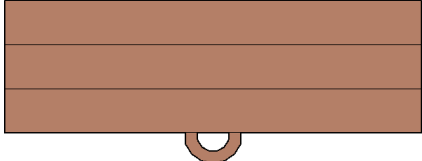




866.332.2403 (Toll Free); 7am-7pm Pacific Time, Monday-Saturday

## Assembly instructions for: **THE LAUREL STORAGE BENCH**



## CONTENT OF BOXES

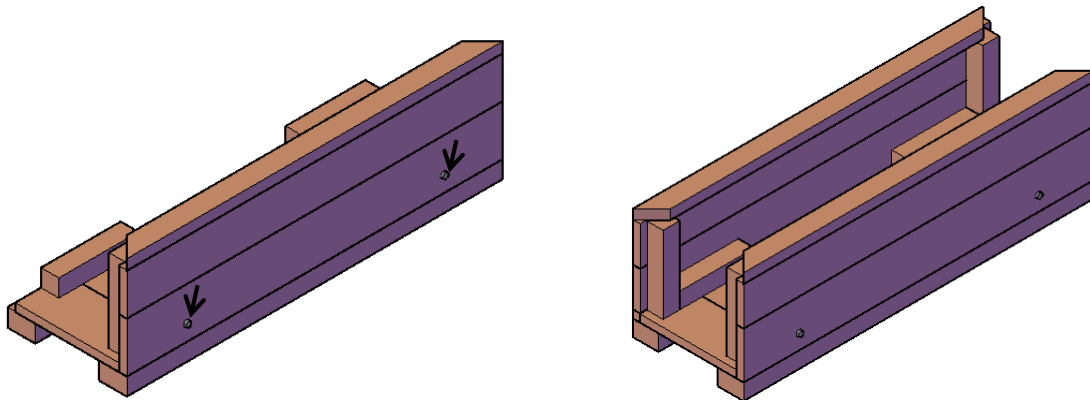
QUANTITY	DESCRIPTION	DRAWING
2	Left and right walls	
2	Front and back walls	
1	Bottom	
1	Lip	
Depending on size	Hardware: Bolts and deck screws	<div style="display: flex; justify-content: space-around; align-items: flex-start;"> <div style="text-align: center;"> <p>Deck Screws</p>  </div> <div style="text-align: center;"> <p>Bolts, washers and nuts</p>  </div> </div>

## ASSEMBLY INSTRUCTIONS

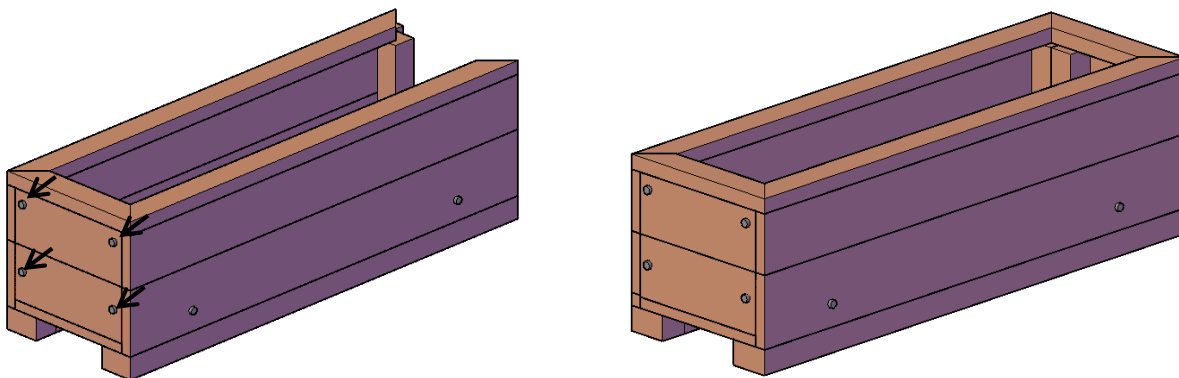
Thank you for purchasing Forever Redwood patio furniture. Forever Redwood is built by Old Growth Again Restoration Forestry (OGA). OGA is dedicated to restoration forestry. Sales of patio furniture finance our restoration work in California redwood forestlands. Tools required: ½-inch ratchet and a mallet or small hammer.

Unpack your bench and make sure you have all the parts. The parts that go together have the same numbers written next to the predrilled holes they attach to. Align the parts with the numbers as shown for ease of reference.

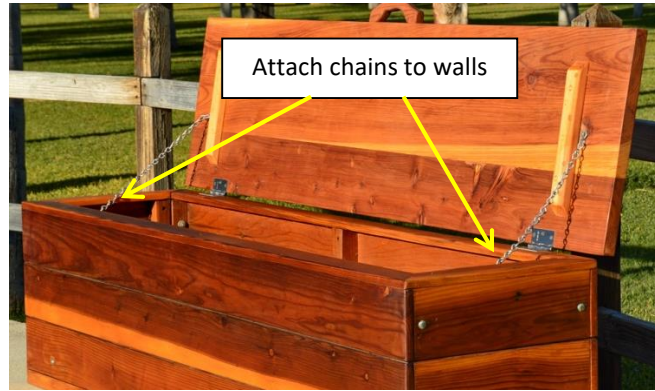
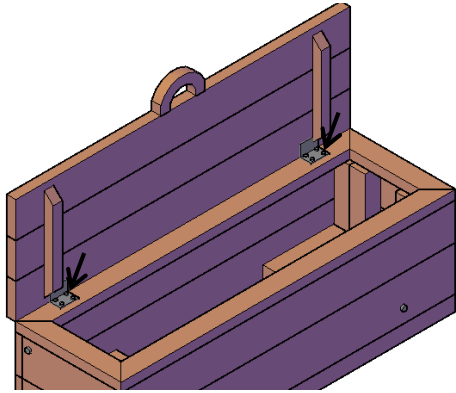
**Step 1.** Attach front and back walls to floor with carriage bolts (3 ½" x 5/16), washers and nuts. On the edges of the floor you'll find a number written next to a set of predrilled holes. Match this number to the number written next to the pre-drilled holes on the interior edge of the center member of the front and back walls of the bench. Tap in the carriage bolts from the outside edge into the holes to attach the bottom and walls. Tap the bolts in all the way, then insert the washer and nut and tighten with a ½- inch ratchet. The bolts should tap into their holes. If you have to force a bolt, the piece is probably on the wrong side or is turned around. Do not over tighten or you'll crush the redwood and weaken the bench's structure.



**Step 2.** . Attach left and right walls to front and back walls with carriage bolts (3 ½" x 5/16), washers and nuts.



**Step 3.** Attach the lid to back wall with the stainless steel screws supplied (the hinges are attached to the lid, just attach to the top of the back wall). The holes have already been drilled. Use a #8 square bit to screw the stainless steel screws into the pre-drilled.



Thank you. If you have any questions, please call or email us.