



FOREVER REDWOOD

From the Forest, For the Forest since 1995

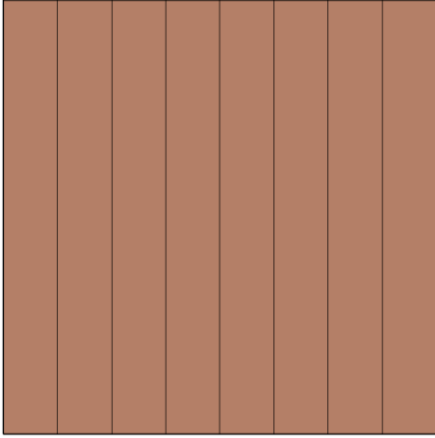

866.332.2403 (TOLL FREE); 7am – 7pm Pacific Time, Monday-Saturday

ASSEMBLY INSTRUCTIONS FOR THE **SQUARE PATIO TABLES**



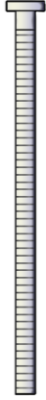


CONTENT OF BOXES

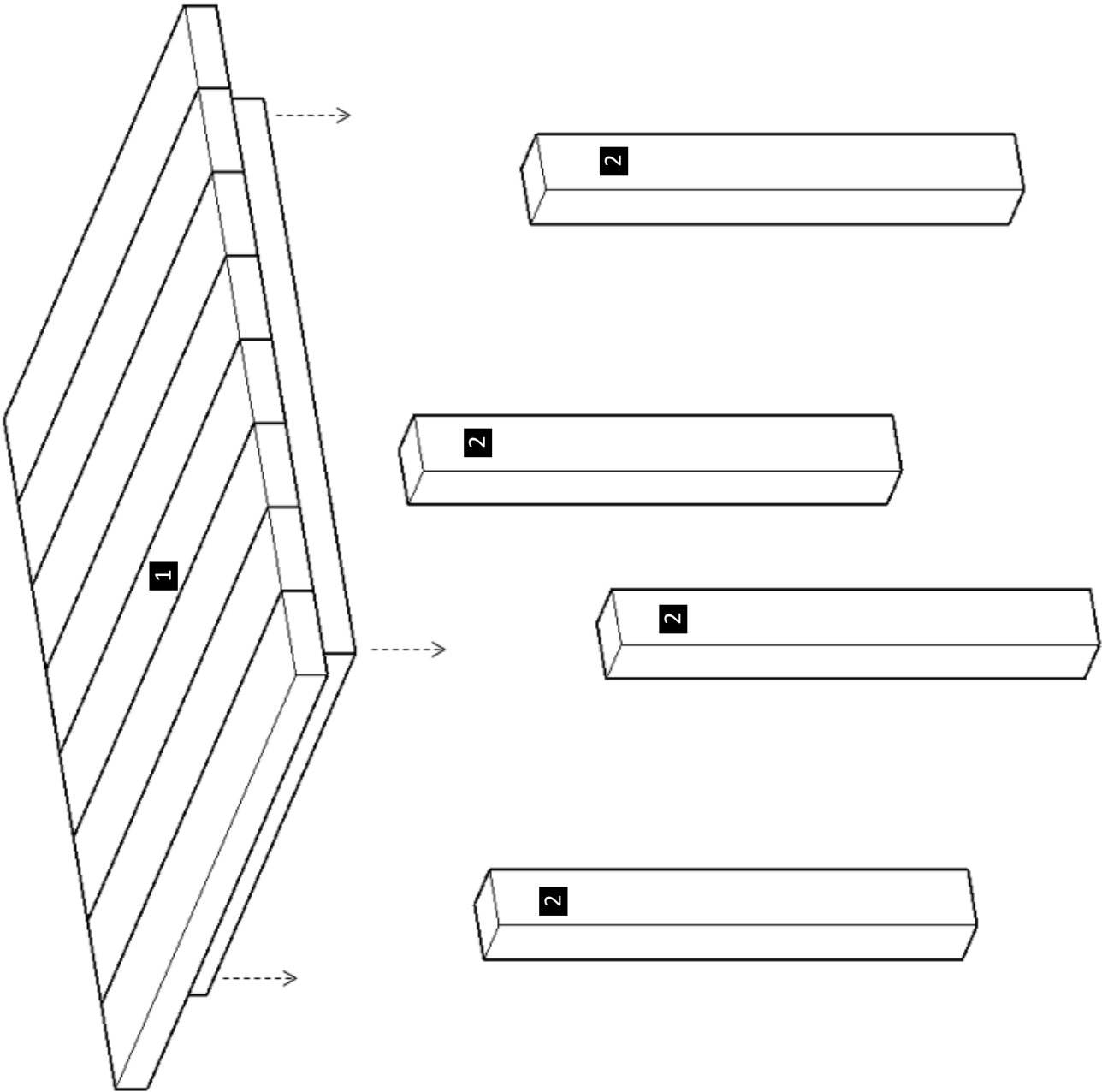
Qty.	Description	Drawing	No.
1	Tabletop		1
4	Legs		2

Note: Part numbers in the Content of Boxes Table are for reference only. These do not match to the numbers marked on the parts sent.

HARDWARE LIST

Description	Draw	No.
3/8" X 8" Bolts (To attach the legs to the tabletop).		A

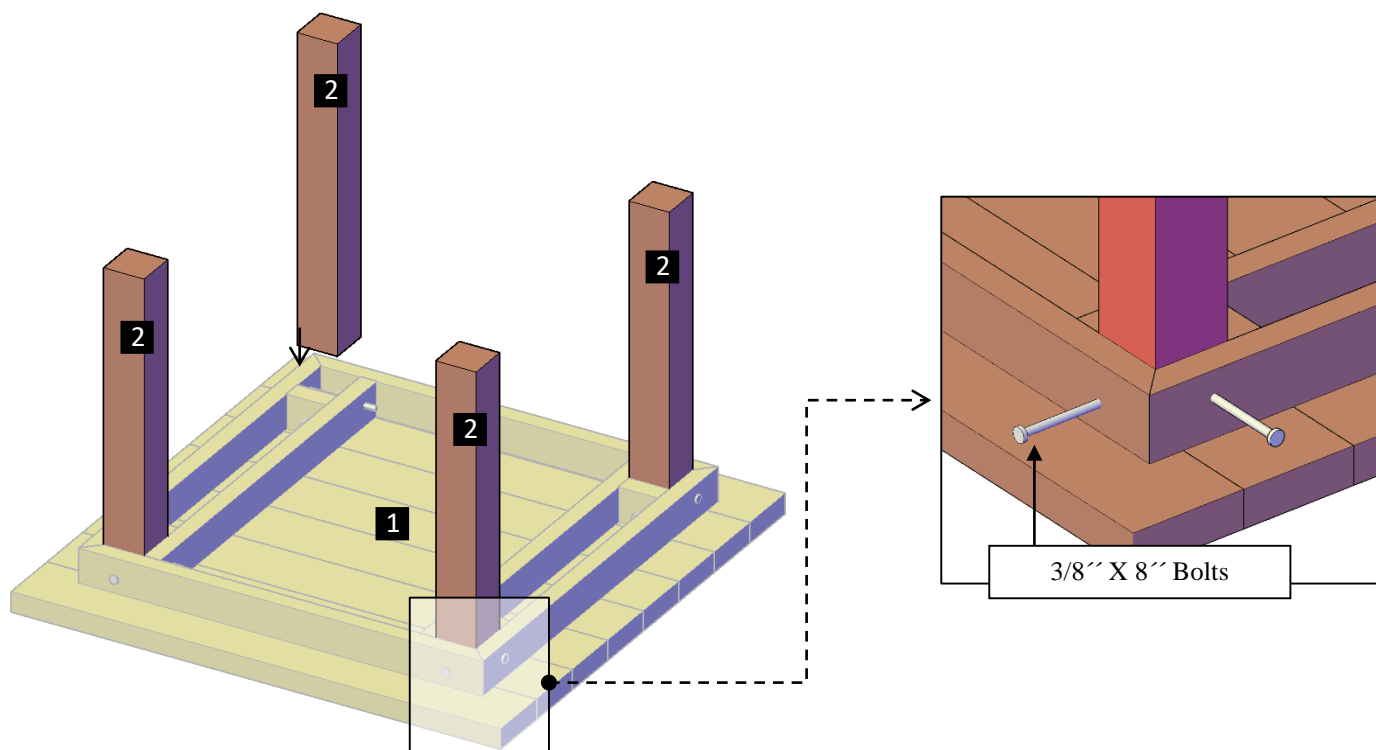
Note: Dimensions of your hardware will vary depending on size.



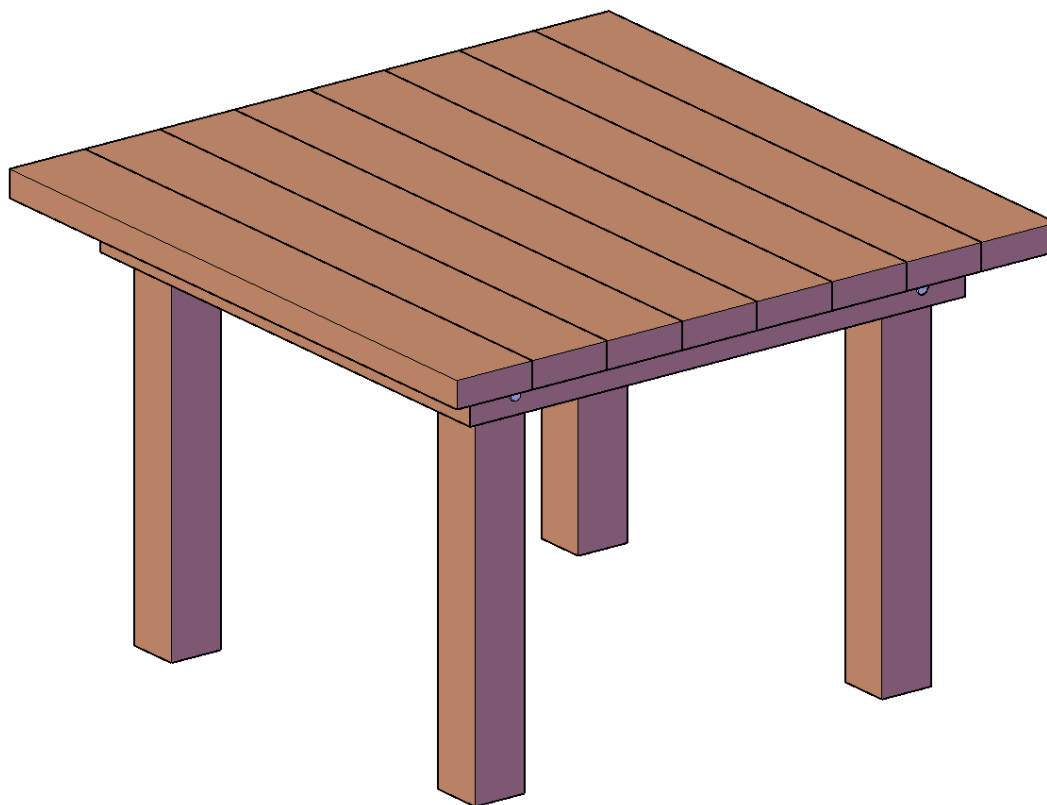
DESCRIPTION	No
Tabletop	1
Legs	2

Note: Part numbers in the Drawing are for reference only. These do not match to the numbers marked on the parts sent.

Step 1: Place the tabletop upside down. After that, use 3/8" x 8" bolts (A) to attach the legs (2) to the tabletop (1). Each part has a series of numbers that indicate where to attach the part with the corresponding number.



Step 2: Finally, turn the table over is feet.





This completes the Table Assembly. Hope you enjoy your set for many decades. If you ever have a problem or a question, don't hesitate to call us (866 332 2403) or email us. We are here to support you.