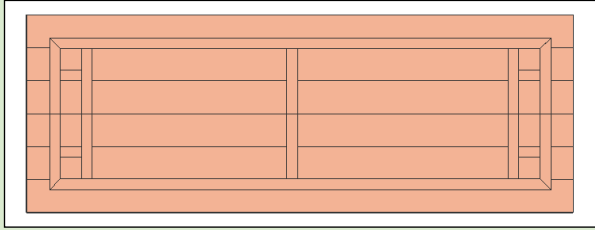
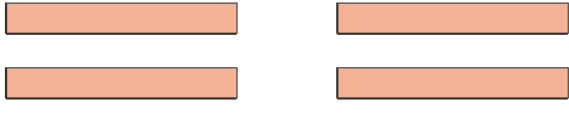

866.332.2403; Outside the US: 619.600.5630 7am-7pm Pacific Time, Monday-Saturday

Assembly Instructions for: **SAN FRANCISCO REDWOOD PATIO TABLE**



CONTENT OF BOXES

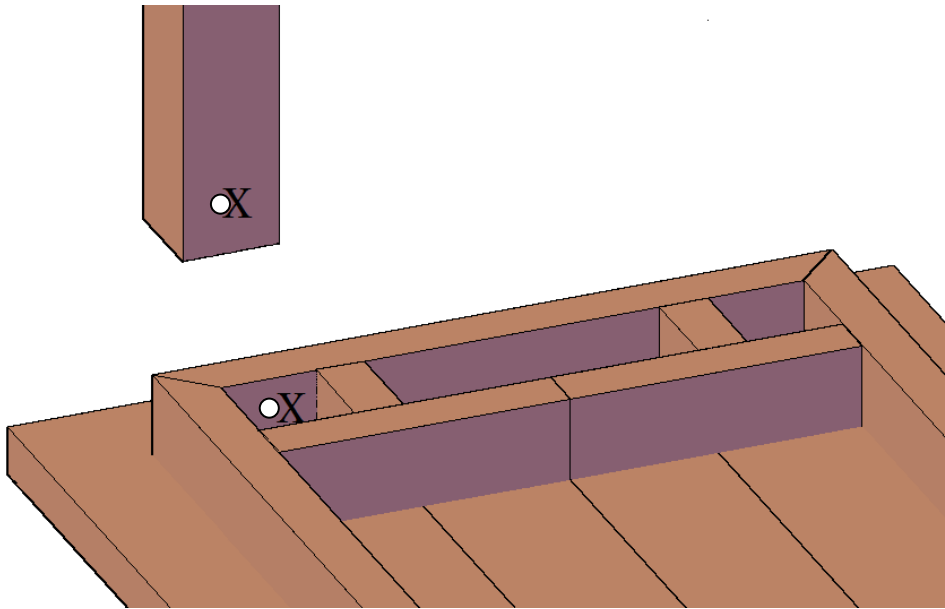
Quantity	Description	Drawing
1	Tabletop	
4	Legs	
8	8" x 3/8" Carriage bolts, Washers and Nuts	

ASSEMBLY INSTRUCTIONS

Thank you for purchasing Forever Redwood patio furniture. Forever Redwood is built by Old-Growth Again Restoration Forestry (OGA). OGA is dedicated to restoration forestry. Sales of patio furniture finance our restoration work in California redwood forestlands.

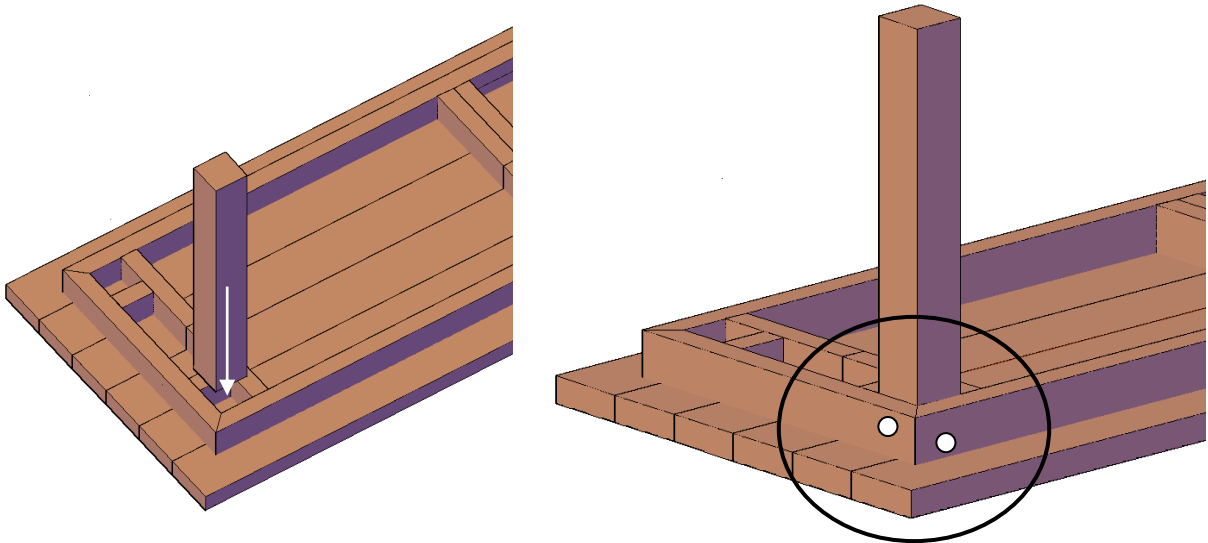
Tools required: ½-inch ratchet and a mallet or small hammer.

The parts that go together have the same numbers written next to the predrilled holes they attach to. Align the parts with the numbers as shown for ease of reference.

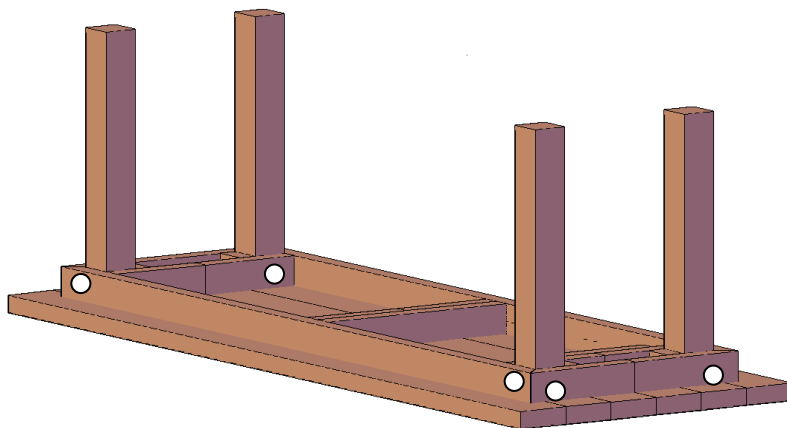


Step 1: Unpack your table and make sure you have all the parts. You'll notice that tabletop has a numbers that corresponds to each leg. Place your tabletop on a soft surface upside down.

Step 2: Match the leg number to the corner hole and attach with 2 carriage bolts, washers and nuts. Align the predrilled holes; lightly tap the 2 bolts in. The bolts should tap into their holes. If you have to force a bolt, the leg is probably not oriented properly, is in the wrong hole, is not in all the way or it is turned around. Make sure the bolts are tapped all the way into the wood, then add washers and nuts and tighten with a ½-inch ratchet. Do not over tighten or you'll crush the redwood and weaken the table's structure.



Step 3: Repeat step 2 to attach the other 3 legs to the tabletop.



Carefully turn the table around. Be careful not to place all the weight of the table on one leg – the table is very heavy and can damage the point where the leg attaches if too much stress is placed on that point.

Thank you. If you have any questions, please call or email us.