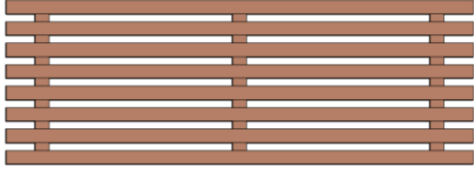
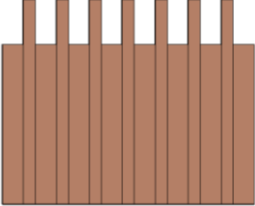




866.332.2403 (Toll Free); 7am-7pm Pacific Time, Monday-Saturday

Assembly instructions for: **SAN DIEGO PORTSIDE WOODEN BENCHES**



CONTENT OF BOXES

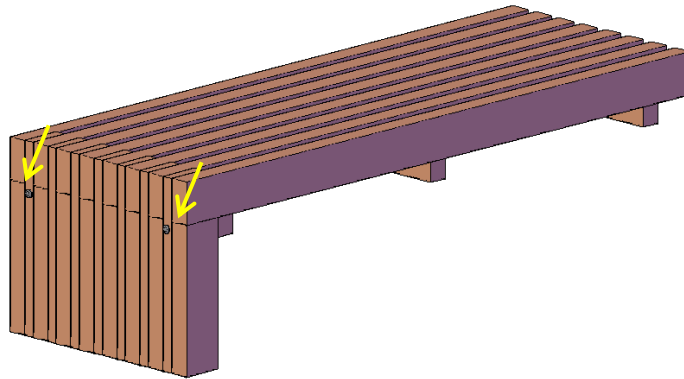
QUANTITY	DESCRIPTION	DRAWING	
1	Seat		
2	Legs		
Depending on size	Hardware: Bolts and deck screws	Deck Screws 	Bolts, washers and nuts 

ASSEMBLY INSTRUCTIONS

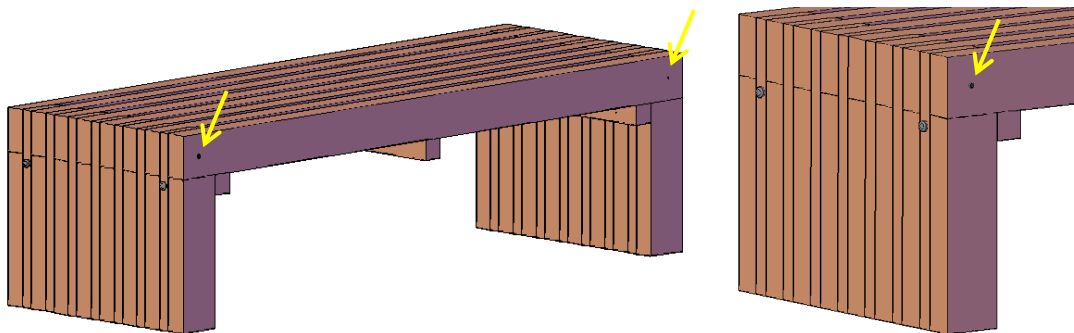
Thank you for purchasing Forever Redwood patio furniture. Forever Redwood is built by Old Growth Again Restoration Forestry (OGA). OGA is dedicated to restoration forestry. Sales of patio furniture finance our restoration work in California redwood forestlands. Tools required: ½-inch ratchet and a mallet or small hammer.

Unpack your bench and make sure you have all the parts. The parts that go together have the same numbers written next to the predrilled holes they attach to. Align the parts with the numbers as shown for ease of reference.

Step 1. Attach leg to seat with 2 carriage bolts (5 ½" x 5/16), washers and nuts. On the edges of the seat you'll find a number written next to a set of predrilled holes. Match this number to the number written next to the predrilled holes on the interior edge of the center member of the side of the bench. Tap in the carriage bolts from the outside edge into the holes to attach the seat and side. Tap the bolts in all the way, then insert the washer and nut and tighten with a ½-inch ratchet. The bolts should tap into their holes. If you have to force a bolt, the piece is probably on the wrong side or is turned around. Do not over tighten or you'll crush the redwood and weaken the bench's structure. Repeat this step to attach the other side.



Step 2. : Attach the front board of seat to legs with the stainless steel screws supplied. The holes have already been drilled. Use a #8 square bit to screw the stainless steel 3 inch screws into the four pre-drilled. Repeat this step with the other side.



Thank you. If you have any questions, please call or email us.