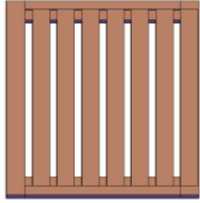
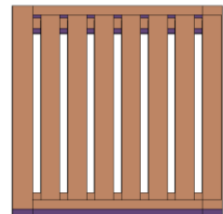
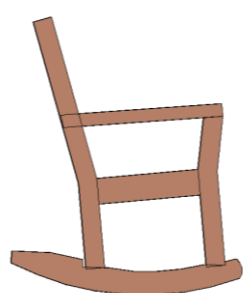



866.332.2403; Outside the US: 619.600.5630 7am-7pm Pacific Time, Monday-Saturday

Assembly Instructions for: **RUTH REDWOOD ROCKER**



CONTENT OF BOXES

Quantity	Description	Drawings
1	Seat	
1	Backrest	
2	Arms	
2	Diagonal Supports	
1	Front Support	
8	Bolts 3 1/2" x 5/16", washers and nuts	
4	Bolts 4 1/2" x 5/16", washers and nuts	

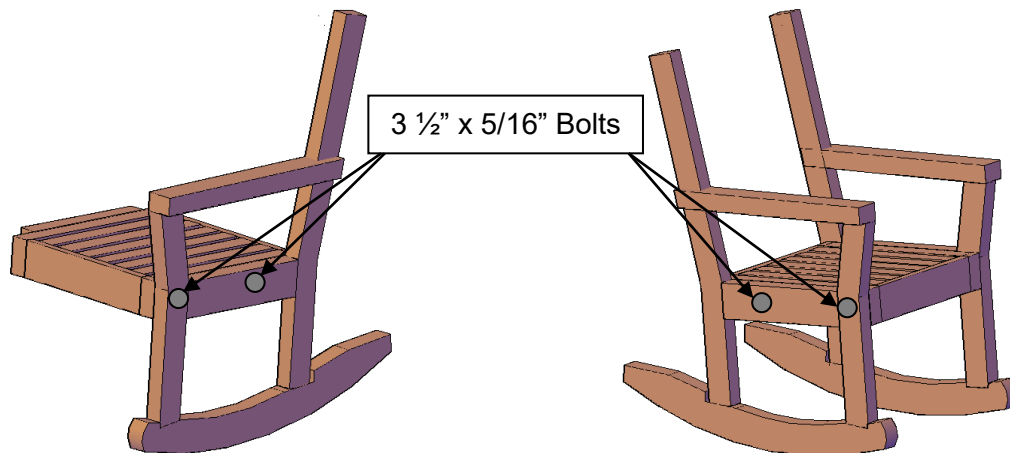
ASSEMBLY INSTRUCTIONS

Thank you for purchasing Forever Redwood patio furniture. Forever Redwood is built by Old-Growth Again Restoration Forestry (OGA). OGA is dedicated to restoration forestry. Sales of patio furniture finance our restoration work in California redwood forestlands.

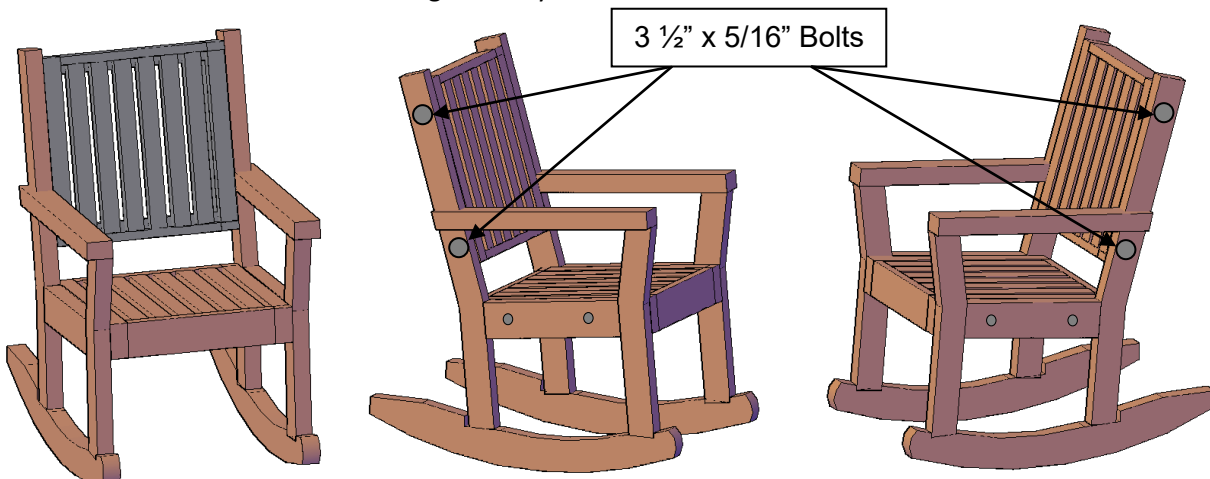
Tools required: ½-inch ratchet and a mallet or small hammer.

Your furniture was fully assembled in the shop prior to being dismantled for shipping. All the parts fit. The parts that go together have the same numbers written next to the predrilled holes they attach to. Please take the time to align the parts with the numbers. If you are forcing a bolt in, the part may be turned around or not aligned properly. Tap the bolt all the way into the wood to set it, then add a washer and lightly tighten. Don't over tighten or you will crush the redwood.

Photo 1: Unpack your Rocking Chair and make sure you have all the parts. Align the pre-drilled holes on seat and arms and attach them with two carriage bolts per side. Tap the carriage bolts all the way into the wood and through both the arm and the chair seat. Then insert the washers and nuts from the interior side of the chair seat and tighten with a ½-inch ratchet. Do not over tighten or you'll crush the redwood and weaken the chair's structure.

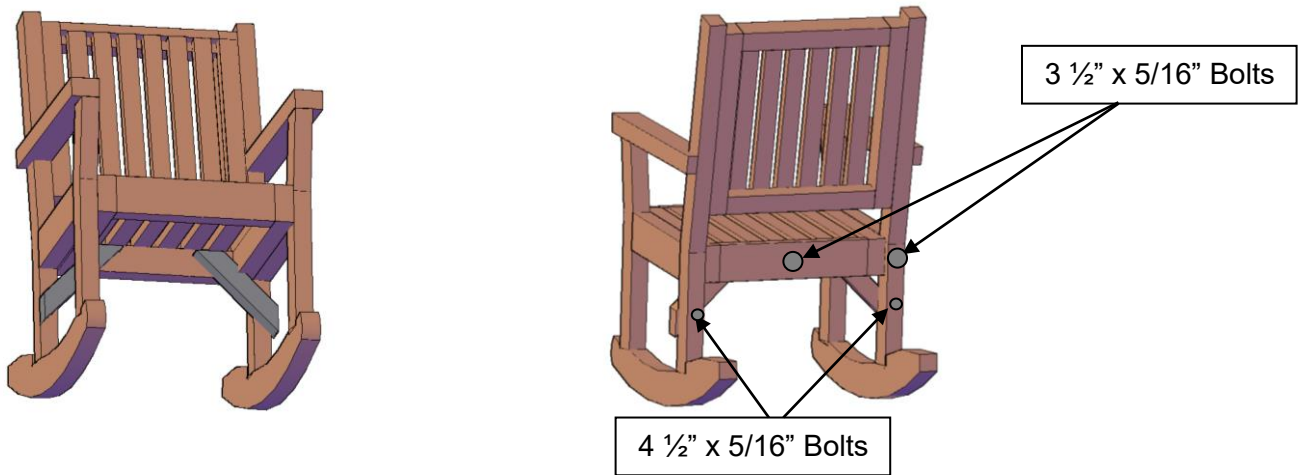


Step 2: Attach backrest to arms with 2 bolts, washers and nuts per side. Match up the numbers written next to the holes. Tap the 4 carriage bolts all the way into the wood and through both the arms and the chair seat. Then insert the washers and nuts from the interior side of the chair seat and tighten with a ½-inch ratchet. Do not over tighten or you'll crush the redwood and weaken the chair's structure.

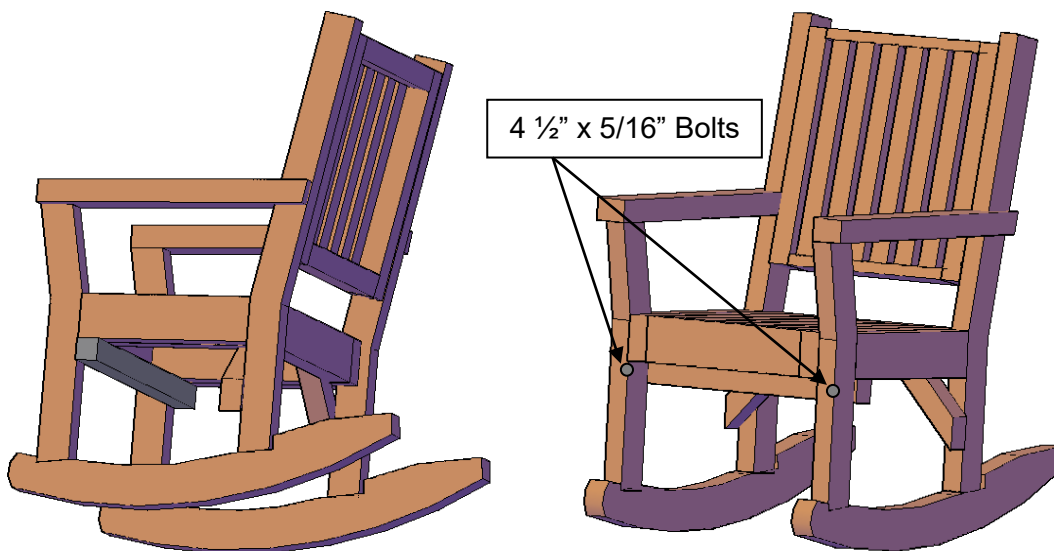


Ruth Redwood Rocker

Step 3: Attach diagonal supports to seat & arms (2 bolts per support). Match the numbers next to the predrilled holes on the back rest to the numbers on the back rest supports on each chair side. Tap the carriage bolts all the way into the wood, then attach the washers, nuts and tighten with ½-inch ratchet. Do not over-tighten.



Step 4: Attach front support to arms with 2 bolts, washers and nuts. Match the numbers next to the predrilled holes on the interior of the arms to the numbers on the front support. Tap the carriage bolts all the way into the wood, then attach the washers, nuts and tighten with ½-inch ratchet. Do not over-tighten.



Thank you! If you have any questions, please call or email us.