



# FOREVER REDWOOD

*From the Forest, For the Forest since 1995*

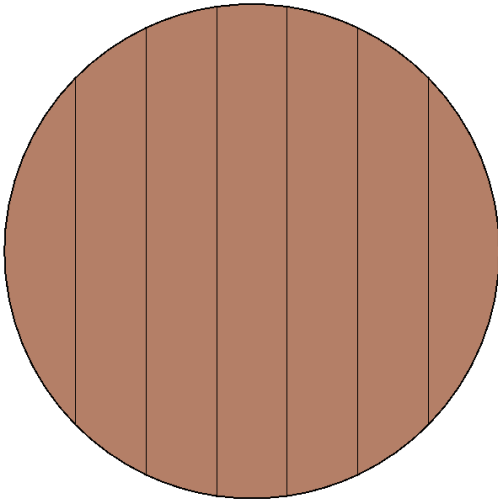
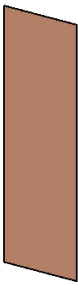
---

866.332.2403 (TOLL FREE); 7am – 7pm Pacific Time, Monday-Saturday

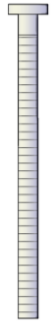
## ASSEMBLY INSTRUCTIONS FOR THE **ROUND WOODEN PICNIC TABLES** (DETTACHED BENCHES)





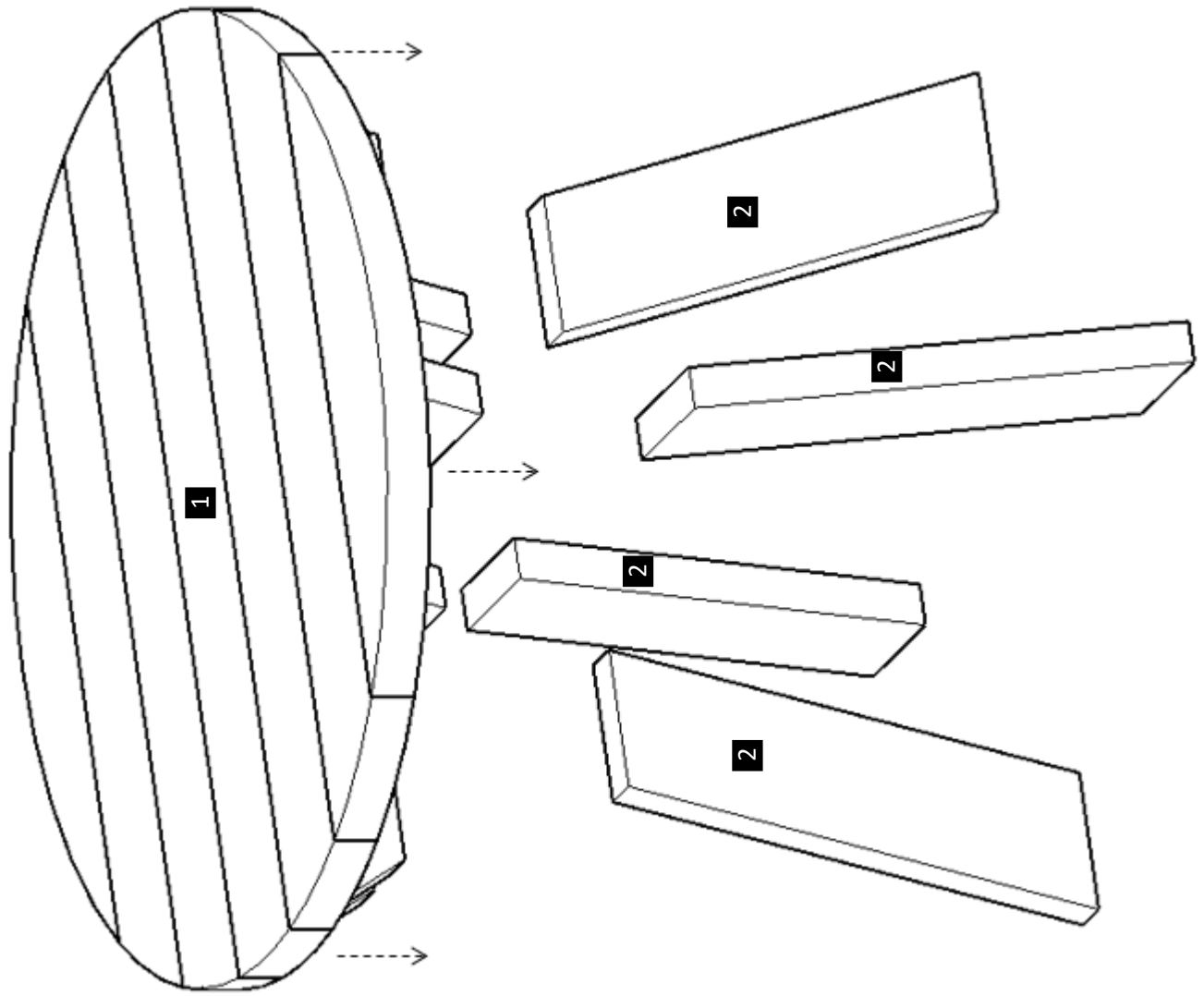
CONTENT OF BOXES			
Qty.	Description	Drawing	No.
1	Tabletop		1
4	Legs		2

*Note: Part numbers in the Content of Boxes Table are for reference only. These do not match to the numbers marked on the parts sent.*

CONTENT OF BOXES	
Description	Drawing
3/8" X 6 1/2" Bolts (To attach the legs to the tabletop).	
	A

*Note: Dimensions of your hardware will vary depending on size.*

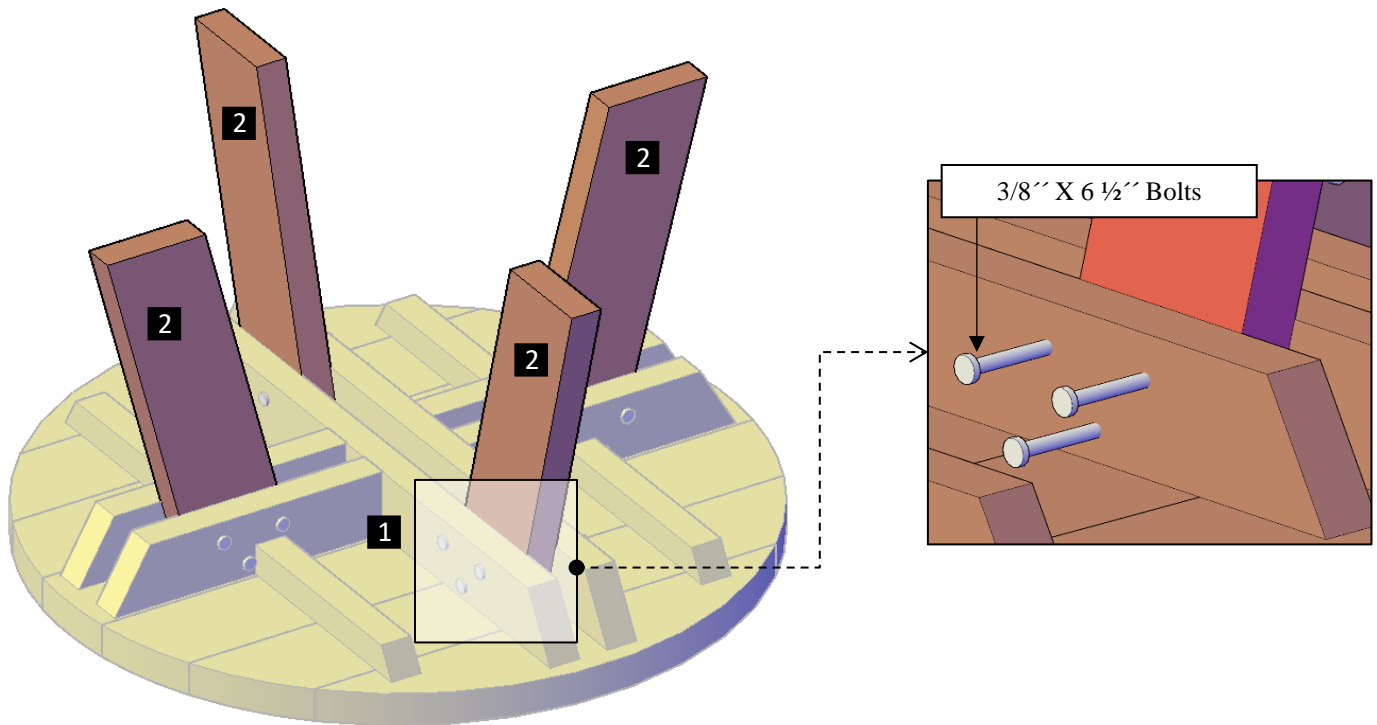




DESCRIPTION	No
Tabletop	1
Legs	2

*Note: Part numbers in the Drawing are for reference only. These do not match to the numbers marked on the parts sent.*

**Step 1:** Place the tabletop upside down. After that, attach the legs (2) to the tabletop (1) with 3/8" x 6 1/2" bolts (A). Each part has a series of numbers that indicate where to attach the part with the corresponding number.



**Step 2:** Finally, turn the table over its feet.



*This completes the Picnic Table Assembly. Hope you enjoy your set for many decades. If you ever have a problem or a question, don't hesitate to call us (866 332 2403) or email us. We are here to support you.*