

---

866.332.2403; Outside the US: 619.600.5630 7am-7pm Pacific Time, Monday-Saturday

## Assembly Instructions for: **RORY'S ARMCHAIR SWING SETS**



Thank you for purchasing Forever Redwood patio furniture. Forever Redwood is built by Old-Growth Again Restoration Forestry (OGA). OGA is dedicated to restoration forestry. Sales of patio furniture finance our restoration work in California redwood forestlands.



**Tools required:** ½-inch ratchet and a mallet or small hammer.

**Content of boxes:**


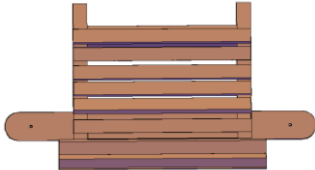
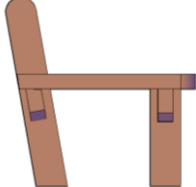
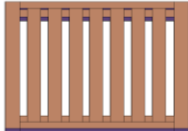
**Frame**



Quantity	Description	Drawing
2	Left side A-frame leg "A" & Right side A-frame leg "B"  MAIN FRAME TIMBERS ARE 3 ¾" X 3 ¾" X 121"	
2	Main A-frame cross support braces (C & D) (3 ¾" x 3 ¾" x 79 ¼")	
1	Main structural timber (E) (3 ¾" x 5 ¾" x 144")	
4	Connector timbers (3 ¾" x 3 ¾" x 21 ½")	

2	Top A-frame cross support braces	<div style="display: flex; flex-direction: column; align-items: center;"> <div style="display: flex; align-items: center; margin-bottom: 5px;"> <div style="border: 1px solid black; padding: 2px 5px; margin-right: 5px;">J</div>  </div> <div style="display: flex; align-items: center;"> <div style="border: 1px solid black; padding: 2px 5px; margin-right: 5px;">K</div>  </div> </div>	
---	----------------------------------	--	--

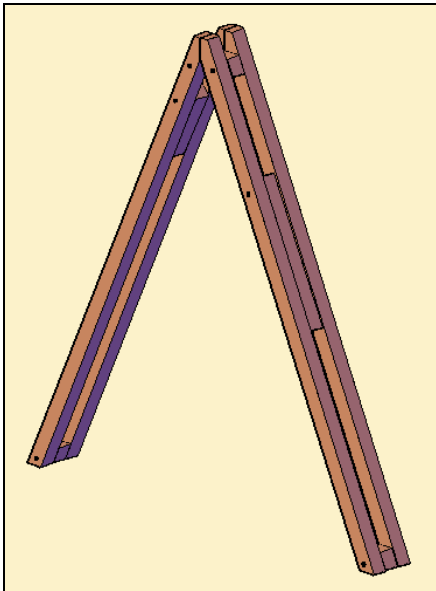
**Content of Boxes:**

<b>Seat</b>		
		
Quantity	Description	Drawing
1	Seat (J1)	
2	Arms (L1, L2)	
2	Backrest (N1)	

**Hardware:**

Quantity	Description
2	Chains
2	Springs
12	Quick Links
8	$\frac{3}{8}$ " x 10" Bolts, washers and nuts
4	$\frac{5}{16}$ " x 5 $\frac{1}{2}$ " Bolts, washers and nuts
2	$\frac{3}{8}$ " x 12" Bolts, washers and nuts
2	$\frac{3}{8}$ " x 6 $\frac{1}{2}$ " Bolts, washers and nuts
2	$\frac{3}{8}$ " x 8" Bolts, washers and nuts
8	$\frac{3}{8}$ " x 7" Bolts, washers and nuts

The parts that go together have the same numbers written next to the predrilled holes they attach to. Align the parts with the numbers as shown for ease of reference.

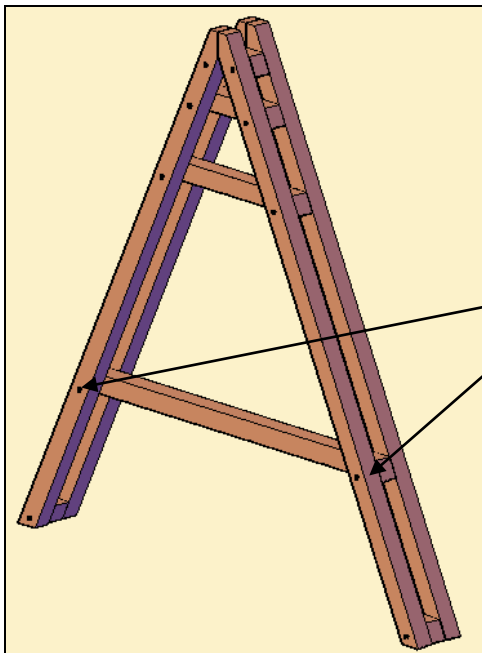
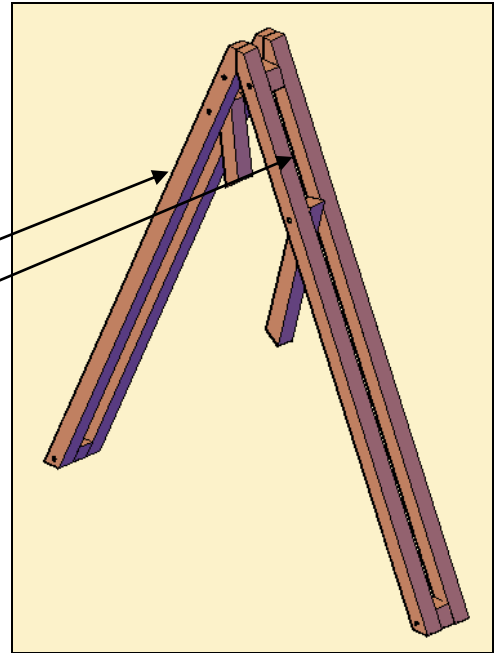


**Step 1:**

Parts A & B ship mostly assembled, but closed. Open the A-frame legs as shown.

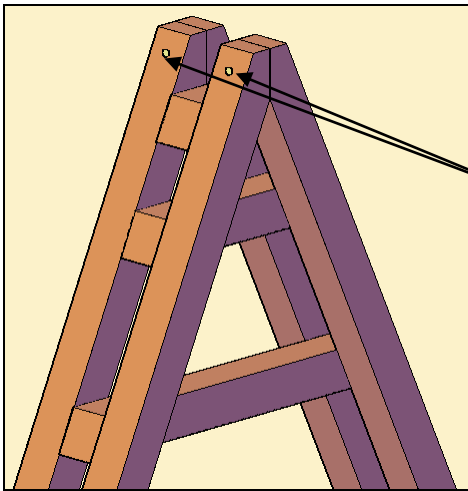
**Step 2:**

Pull out the cross supports and line up to match with the predrilled holes as shown. Use  $\frac{3}{8}$ " x 10" carriage bolts, add washer and nut and lightly tighten.



**Step 3:**

Attach part C (Main A-frame cross support brace) to part A (Left side A-frame leg), with two bolts ( $\frac{3}{8}$ " x 10") washers & nuts (into two holes marked "1" and "2"). Tap the bolt all the way into the wood to set it. Then add a washer and nut and lightly tighten.



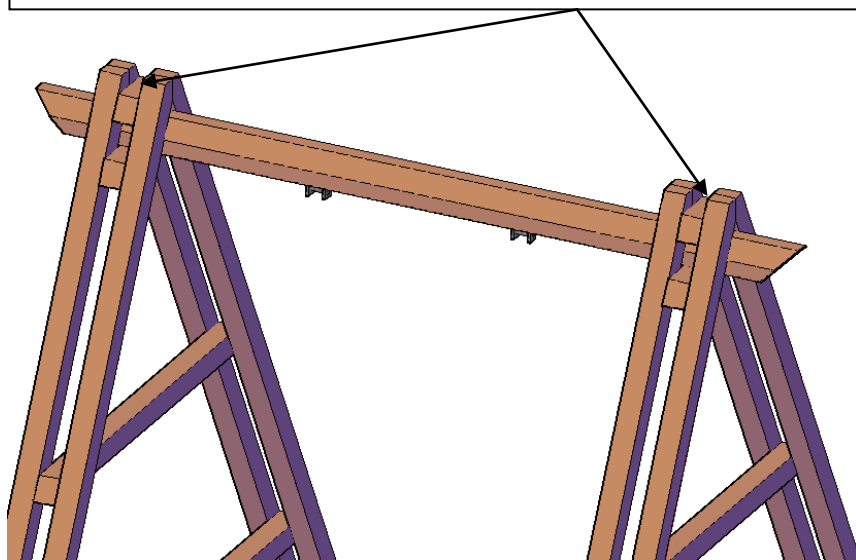
**Step 4**

To complete the A-frame assembly, add two  $\frac{3}{8}$ " x 5  $\frac{1}{2}$ " bolts, washers and nuts as shown. Lightly tighten.

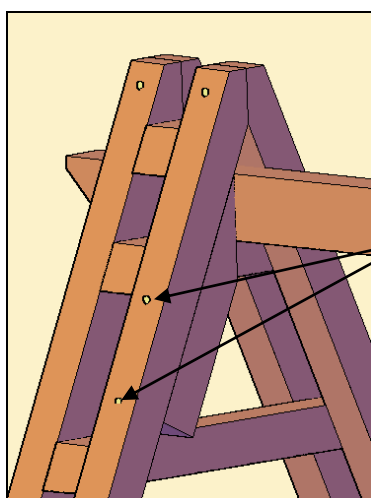
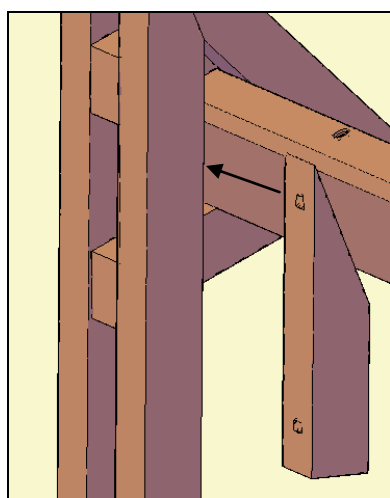
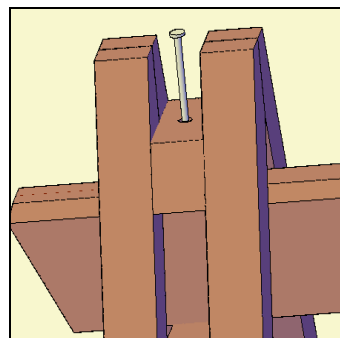
Repeat the process for A-frame part B.

**Step 5:**

Attach part E (Main structural timber) to part A & B (Left side A-frame leg & Right side A-frame leg), with two bolts ( $\frac{3}{8}$ " x 12") washers & nuts (into two holes marked "5" and "X"). Tap the bolt all the way into the wood to set it. Then add a washer and nut and lightly tighten.



**NOTE:** If your Rory's comes with option steel beam, follow instructions placed at the end.

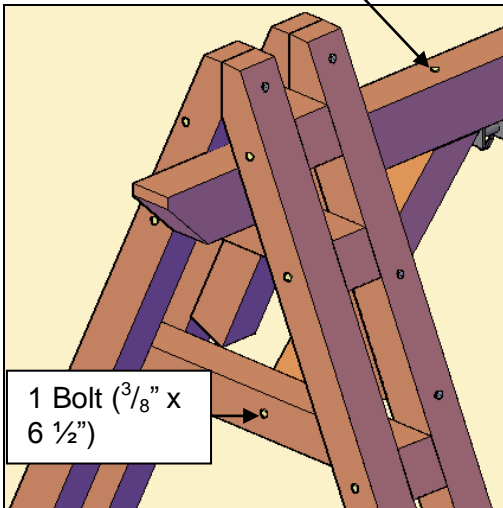


**Step 6:**

Attach the part F (Support timber) to Part A (Left side A-frame leg) with four bolts ( $\frac{3}{8}$ " x 7"), washer a nut (into two holes marked "6"). Tap the bolt all the way into the wood to set it. Then add a washer and nut and lightly tighten.

Repeat the process for parts G, H & I

1 Bolt ( $\frac{3}{8}$ " x 8")



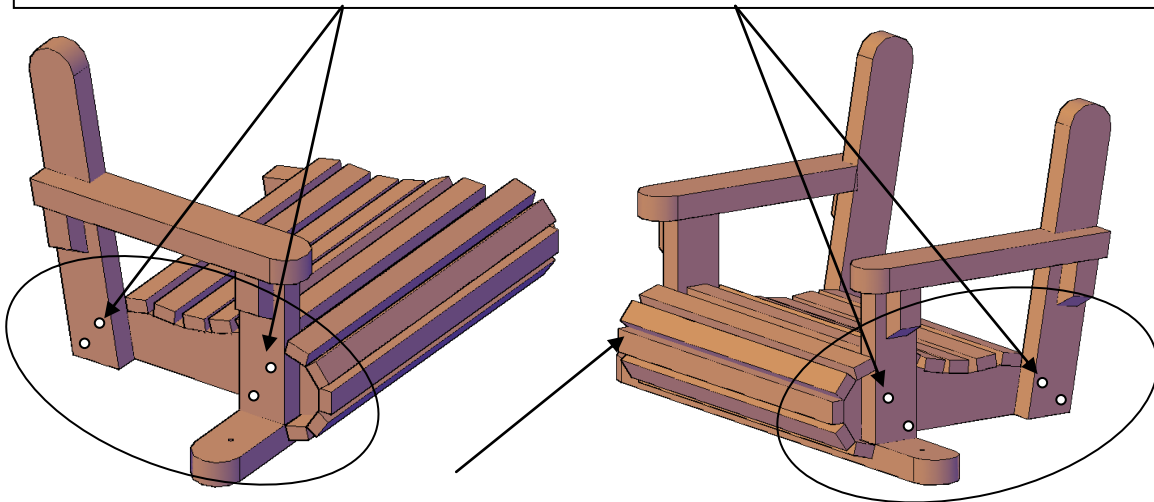
**Step 7:**

Attach the part J (Top A-frame cross support brace) to Part A (Left side A-frame leg) with two bolts, washer a nut (into two holes marked "10" and "X"). Tap the bolt all the way into the wood to set it. Then add a washer and nut and lightly tighten.

Repeat the process for A-frame part B and part K.

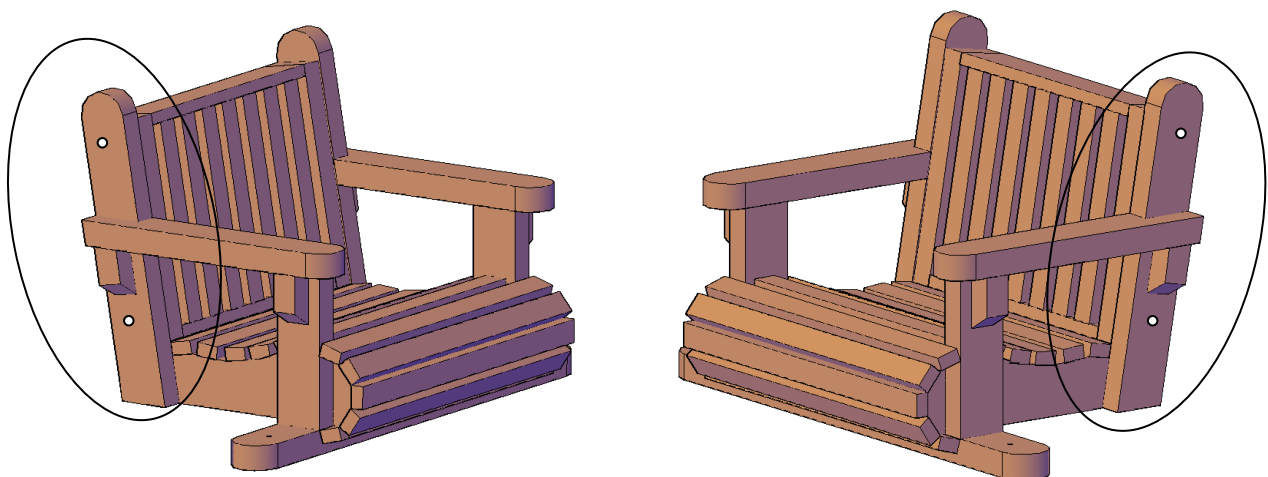
**Step 8:**

Attach seat sides to seat with 4 carriage bolts, washers and nuts per side. Make sure the numbers next to the predrilled holes match.



**Step 9:**

Attach backrest to seat sides with 2 carriage bolts, washers and nuts per side.



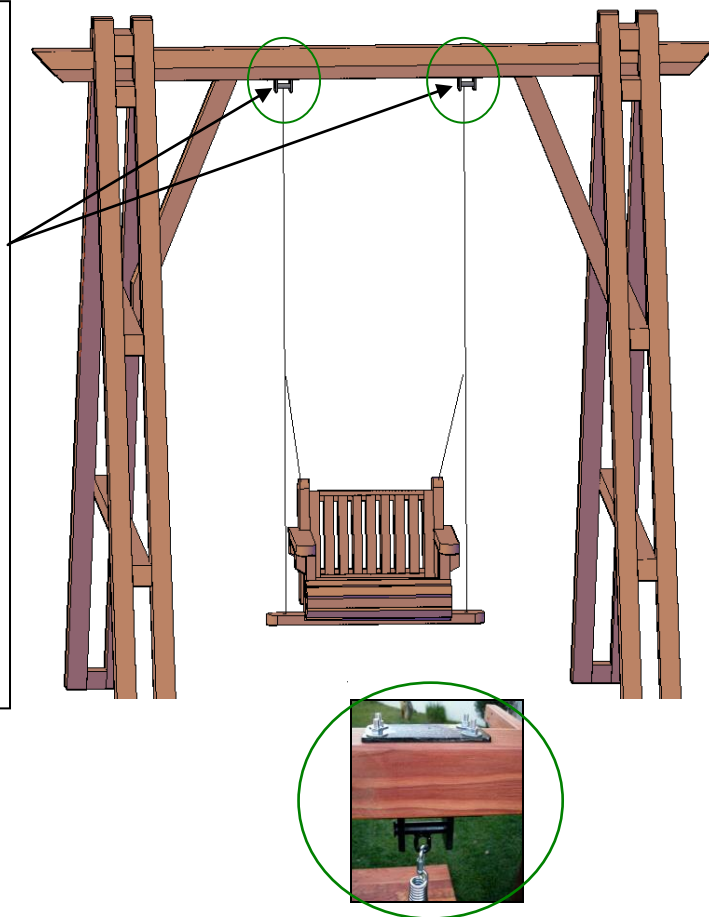
**Step 10:**

Add the swing seats to the chain. Add the hardware provided to thread the eyebolts as shown below. Take a few minutes to adjust the chain height to your preference. We recommend you do not cut off the excess chain because you may want to readjust the heights later.



**Step 11:**

Once the basic structure is assembled on its side, with a couple of people helping, turn the swing right side up. If it's being placed on a lawn or undeveloped surface it's a good idea to add a few inch deep layer of drainage rock under each post. This will keep the swing from settling into the ground over the years. Lastly, with a ladder, attach the chains into the swing hanging assembly already attached to the main support timber (part E). The swing also come with optional set of springs. The springs attach from the swing hangers. Try them out. It softens the ride and is enjoyed by parents and adults. If the swing is mostly for kids & teens, skip the springs... Do one last round of light bolt tightening and enjoy!



Thank you! If you have any questions, please call or email us.