

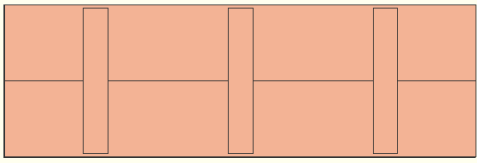
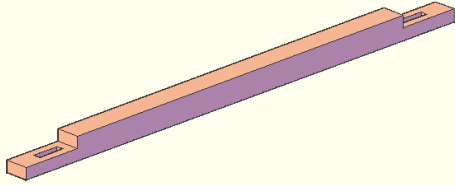
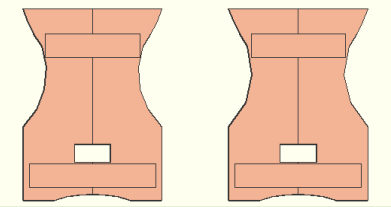
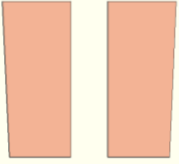
---

866.332.2403; Outside the US: 619.600.5630 7am-7pm Pacific Time, Monday-Saturday

## Assembly Instructions for: **REDWOOD TRESTLE BENCHES**



## CONTENT OF BOXES

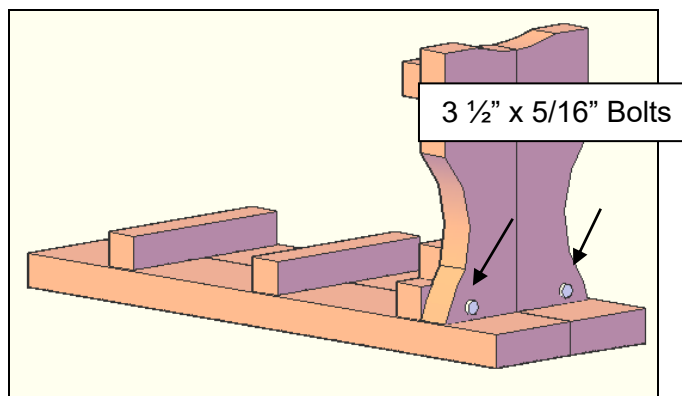
Quantity	Description	Drawings
1	Seat	
1	Trestle Beam	
2	Legs	
2	Leg Supports	
4	3 1/2" x 5/16" Carriage Bolts, Washers and Nuts	

# ASSEMBLY INSTRUCTIONS

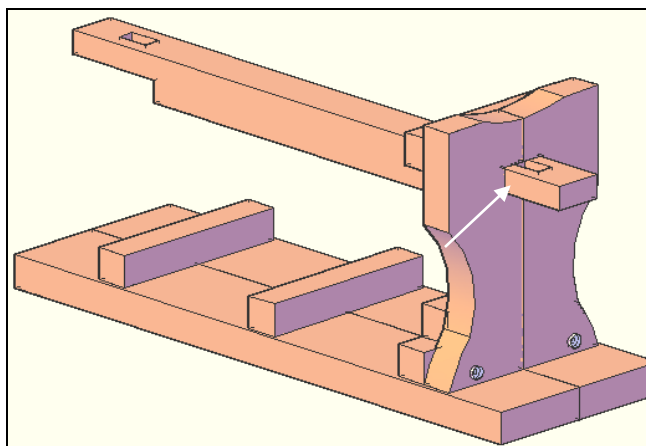
All you need is a ratchet wrench and a hammer.

Our furniture is preassembled in our wood working shop to ensure reassembly is a snap. The benches require only a ratchet wrench and a small hammer to tap in the bolts. They ship in less than 25 parts and take less than 1 hour to re-assemble and begin enjoying them. All parts are clearly labeled and detailed step by step instructions are included. They can easily be re-assembled by one person.

**Step 1:** Attach right leg to parts seat, with 2 bolts, washers & nuts. Make sure the numbers on the leg match up with the numbers on seat. Align the leg to the predrilled holes, tap the bolts all the way in (set the bolt into the wood), add a washer and tighten the nut.

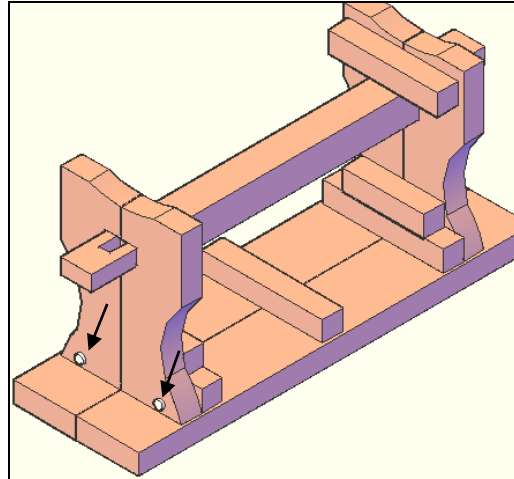
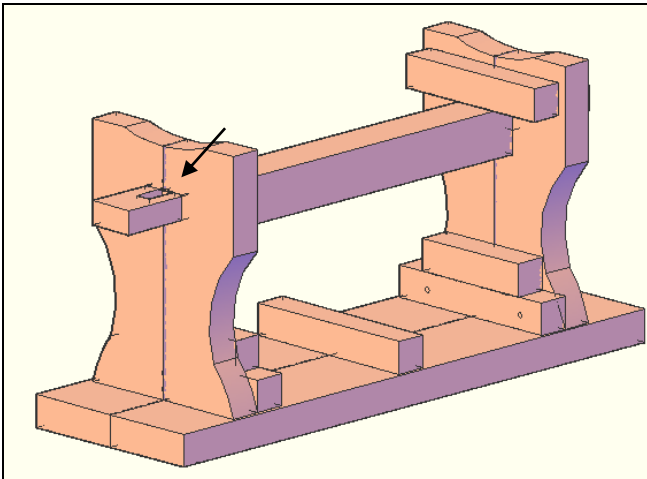


**Step 2:** Insert trestle beam in right leg as shown.

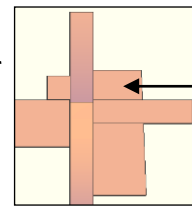
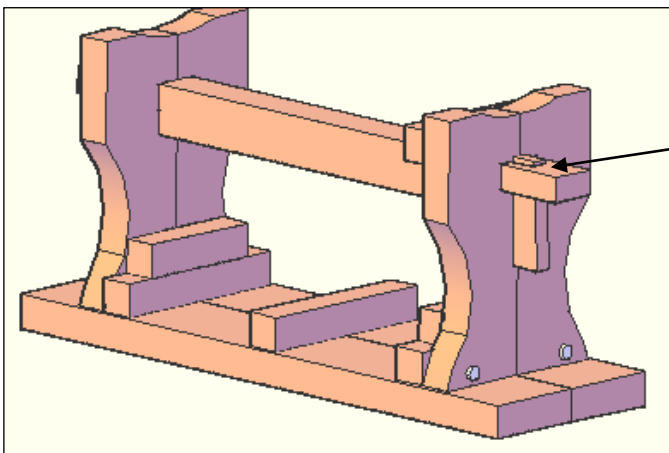


**Step 3:** Insert left leg to trestle beam and attach to seat, with 2 bolts (3 ½" x 5/16"), washers & nuts.

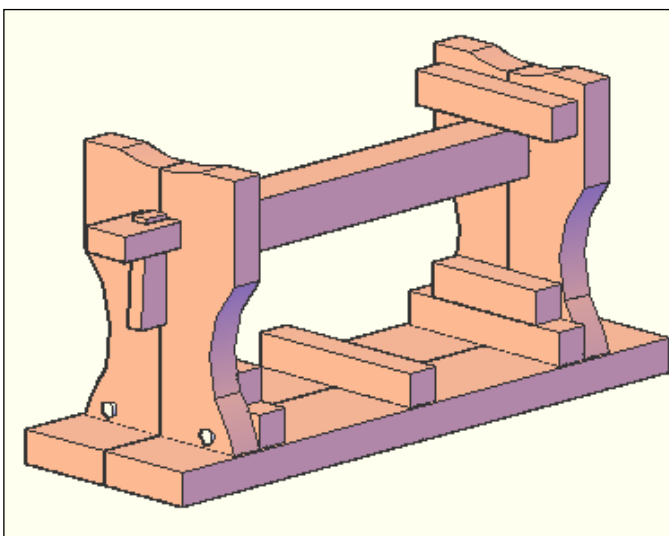
Make sure the numbers on the legs match up with the numbers on seat. Align the leg to the predrilled holes, tap the bolts all the way in (set the bolt into the wood), add a washer and tighten the nut.



**Step 4:** Insert leg support in trestle beam as shown below. Repeat for other support.



Side  
shorter



Thank you! If you have any questions, please call or email us.