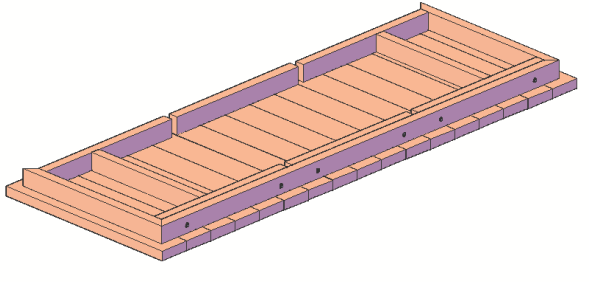
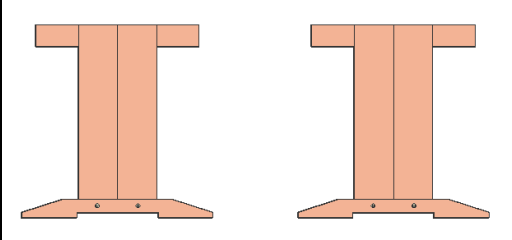

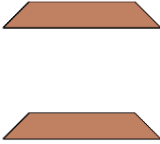

866.332.2403; Outside the US: 619.600.5630 7am-7pm Pacific Time, Monday-Saturday

Assembly Instructions for: **REDWOOD CONFERENCE TABLE**



CONTENT OF BOXES

Quantity	Description	Drawing
1	Tabletop	
2	Legs	
1	Legs Support	
2	Diagonal Supports	
8	Carriage bolts 4" x 5/16", Washers and Nuts	

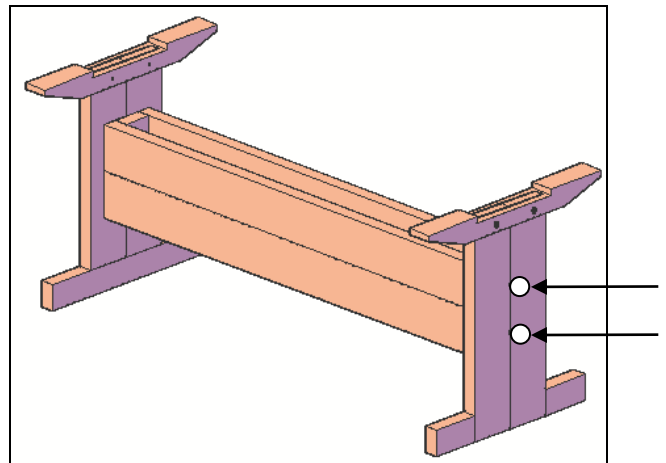
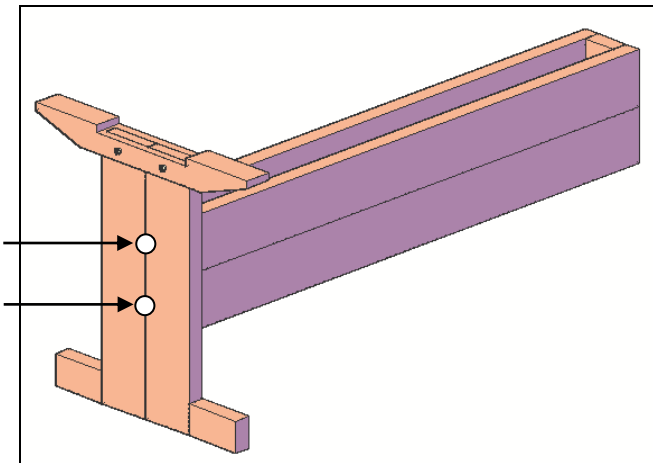
ASSEMBLY INSTRUCTIONS

Thank you for purchasing Forever Redwood patio furniture. Forever Redwood is built by Old-Growth Again Restoration Forestry (OGA). OGA is dedicated to restoration forestry. Sales of patio furniture finance our restoration work in California redwood forestlands.

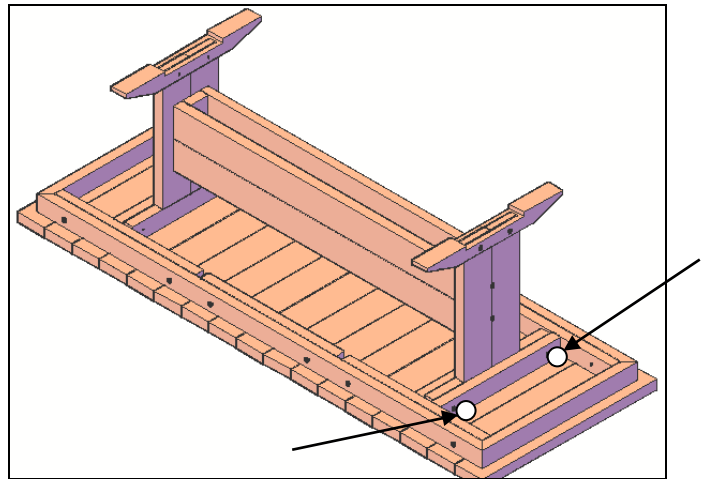
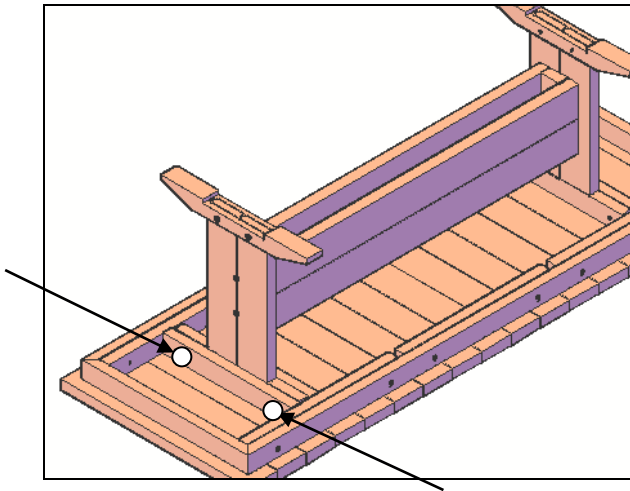
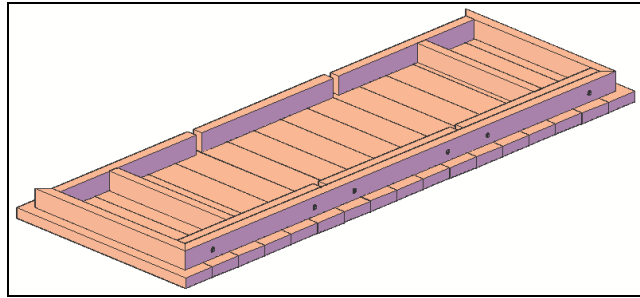
Tools required: ½-inch ratchet and a mallet or small hammer.

Unpack your table and make sure you have all the parts. The parts that go together have the same numbers written next to the predrilled holes they attach to. Align the parts with the numbers as shown for ease of reference.

Step 1: Attach leg to leg support, with two bolts (4" x 5/16"), washers & nuts (match the numbers written next to the predrilled holes on both pieces). Tap the bolt all the way into the wood to set it. Then add a washer and nut and lightly tighten. Repeat this step to attach the other leg.



Step 2: Place the tabletop on a soft surface upside down. Attach legs to tabletop, with two bolts (4" x 5/16"), washers & nuts per side. Tap the bolt all the way into the wood to set it. Then add a washer and nut and lightly tighten. Make sure the numbers written on both pieces match.



Carefully turn the table around. Be careful not to place all the weight of the table on one leg – the table is very heavy and can damage the point where the leg attaches if too much stress is placed on that point.

Thank you. If you have any questions, please call or email us.