



FOREVER REDWOOD

From the Forest, For the Forest since 1995

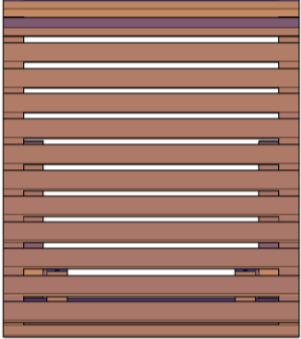
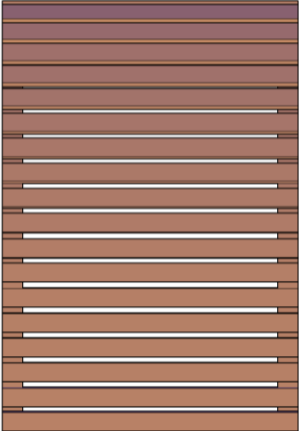
866.332.2403 (TOLL FREE); 7am – 7pm Pacific Time, Monday-Saturday

ASSEMBLY INSTRUCTIONS FOR THE **PENNY WOODEN SUN LOUNGER**



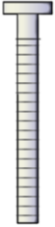


CONTENT OF BOXES

Qty.	Description	Drawing	No.
1	Backrest		1
1	Seat		2

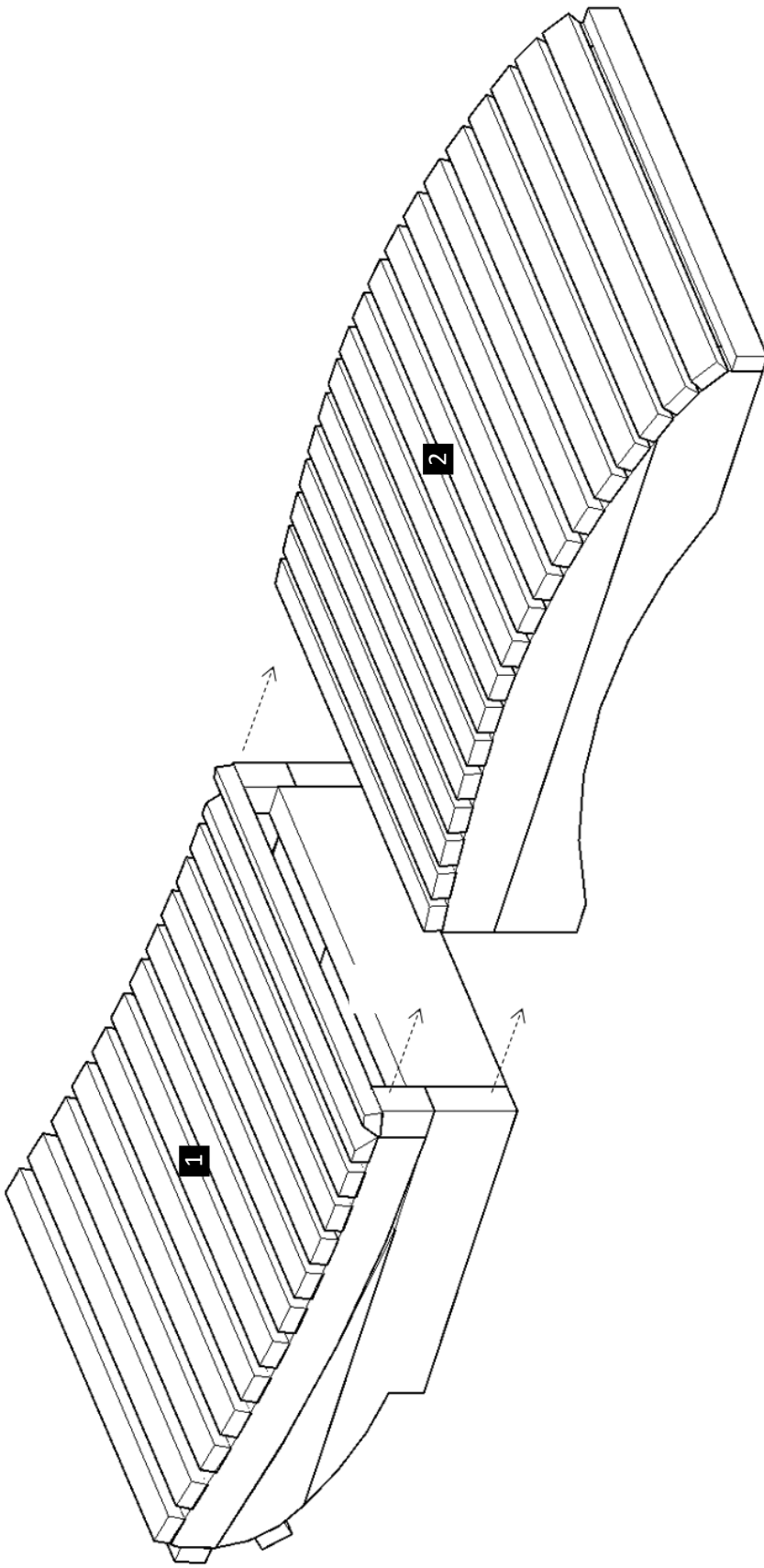
Note: Part numbers in the Content of Boxes Table are for reference only. These do not match to the numbers marked on the parts sent.

HARDWARE LIST

Description	Drawing	No.
5/16" X 3 1/2" Bolts (To attach the backrest to the seat).		A

Note: Dimensions of your hardware will vary depending on size.



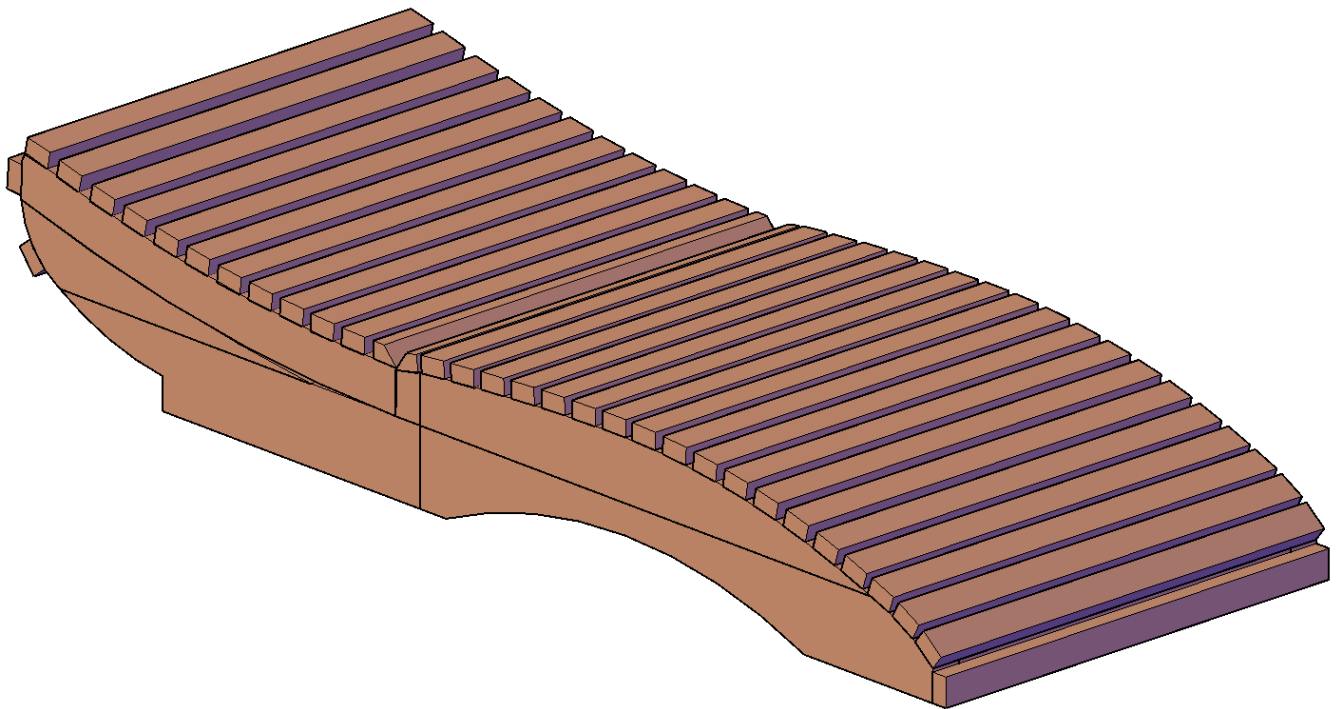
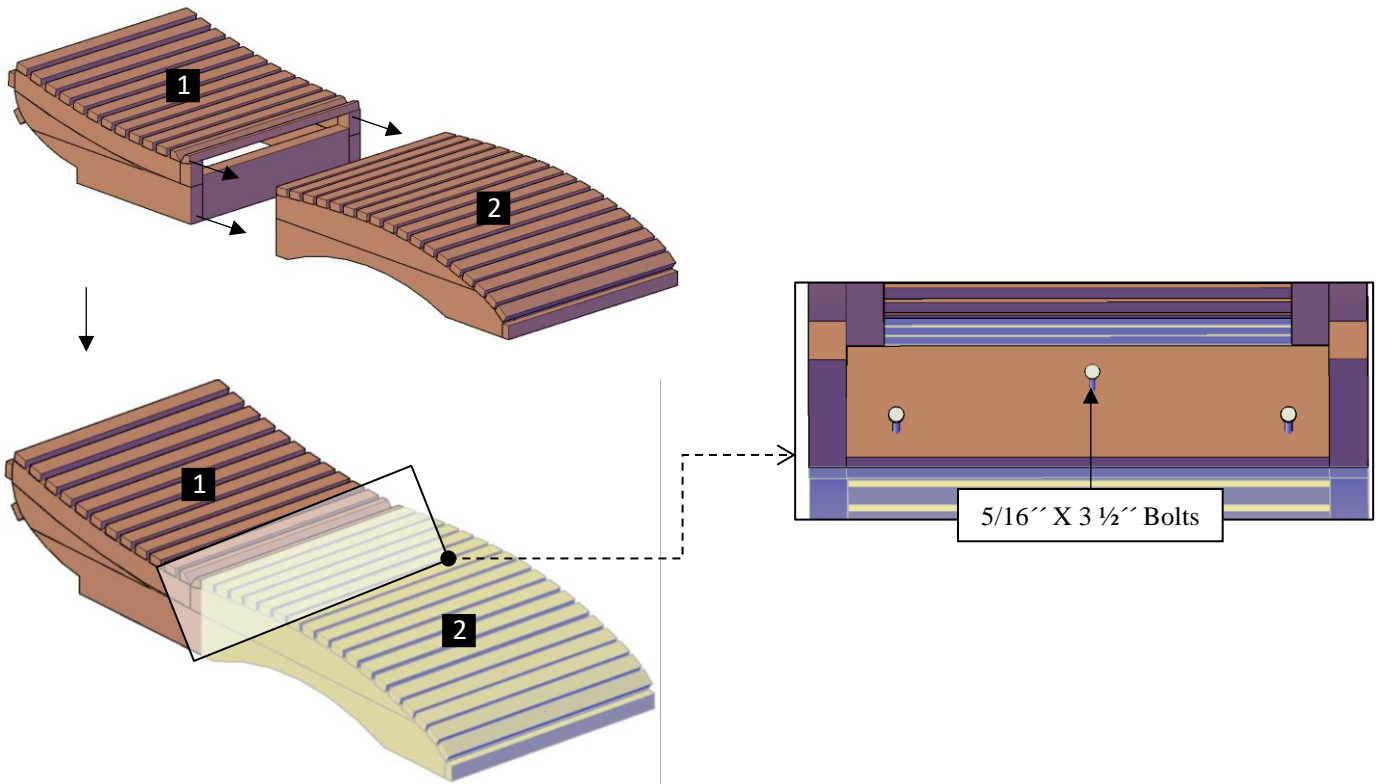


DESCRIPTION	No
Backrest	1
Seat	2

Note: Part numbers in the Drawing are for reference only. These do not match to the numbers marked on the parts sent.



Step 1: Attach the backrest (1) to the seat (2) with 5/16" x 3 1/2" bolts (A). Each part has a series of numbers that indicate where to attach the part with the corresponding number.





This completes the Penny Wooden Sun Lounger Assembly. Hope you enjoy your set for many decades. If you ever have a problem or a question, don't hesitate to call us (866 332 2403) or email us. We are here to support you.