

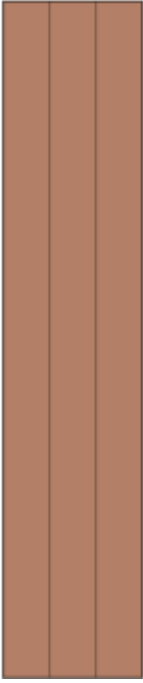
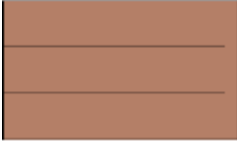

866.332.2403 (TOLL FREE); 7am – 7pm Pacific Time, Monday-Saturday

**ASSEMBLY INSTRUCTIONS FOR THE  
MAYNARD'S HALL TABLES**







**CONTENT OF BOXES**

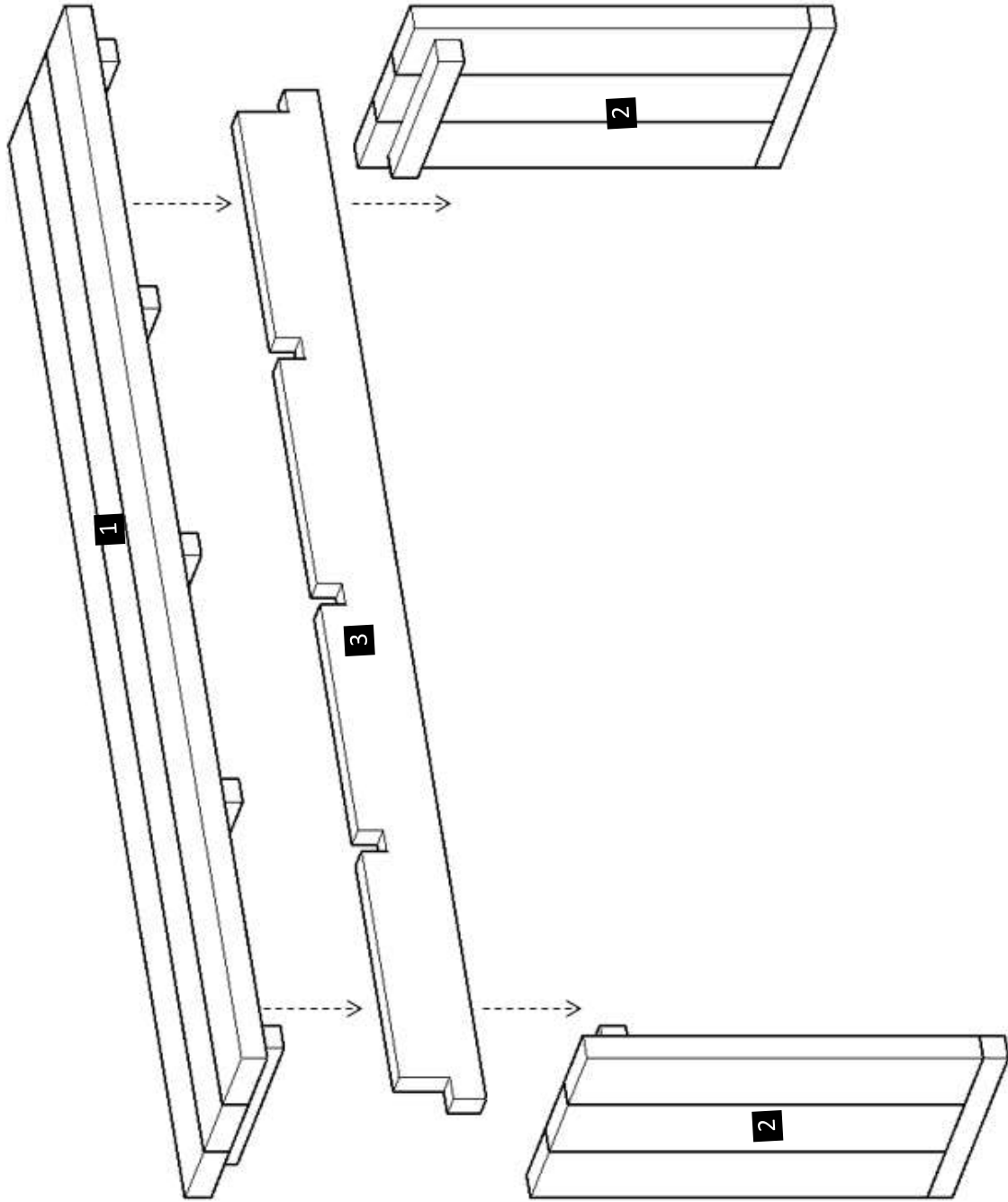
| Qty. | Description | Drawing  | No. |
|------|-------------|--|-----|
| 1    | Tabletop    |  | 1   |
| 2    | Legs        |   | 2   |
| 1    | Support     |  | 3   |

**Note:** Part numbers in the Content of Boxes Table are for reference only. These do not match to the numbers marked on the parts sent.

**HARDWARE LIST**

| Description  | Drawing   | No. |
|--|---|-----|
| 3/8" X 3 1/2" Bolts<br>(To attach the Tabletop to the legs). |  | A   |
| 3" Deck Screws<br>(To attach the support to the legs).       |  | B   |

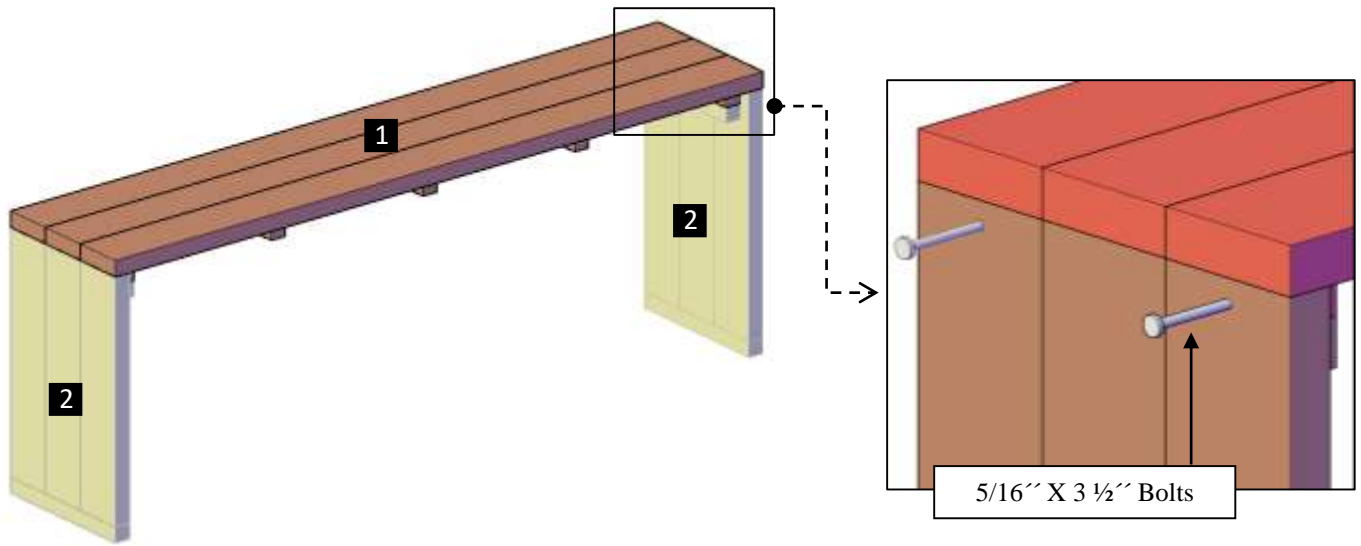
**Note:** Dimensions of your hardware will vary depending on size.



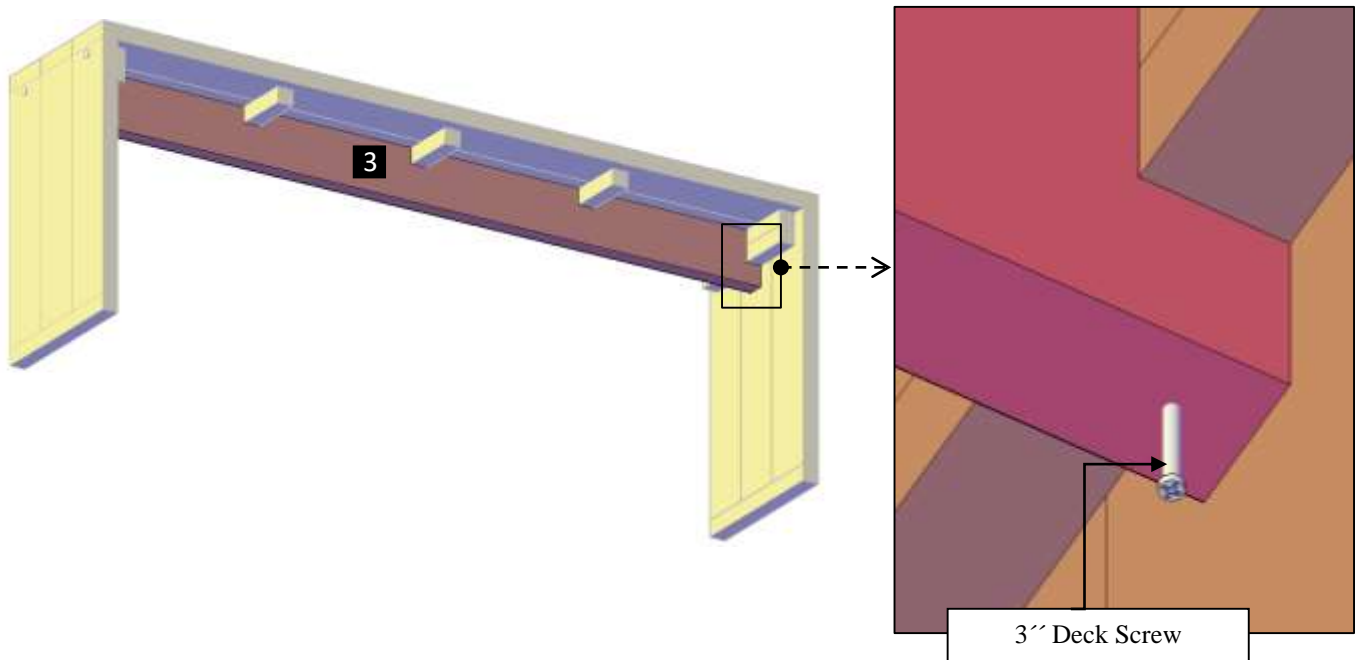
| DESCRIPTION | No |
|-------------|----|
| Table top   | 1  |
| Legs        | 2  |
| Support     | 3  |

**Note:** Part numbers in the Drawing are for reference only. These do not match to the numbers marked on the parts sent.

**Step 1:** Use 5/16" x 3 1/2" bolts (A) to attach the Tabletop (1) to the legs (2). Each part has a series of numbers that indicate where to attach the part with the corresponding number.



**Step 2:** Finally, attach the support (3) to the legs with 3" deck screws (B). Each part has a series of numbers that indicate where to attach the part with the corresponding number.





*This completes the Table assembly. Hope you enjoy your set for many decades. If you ever have a problem or a question, don't hesitate to call us (866 332 2403) or email us. We are here to support you.*