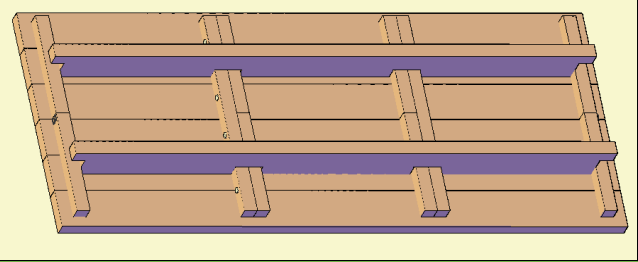
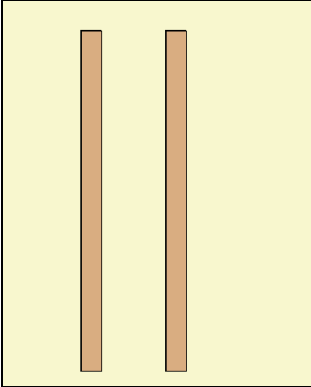


Assembly instructions for: **MAYNARD DESKS**



CONTENT OF BOXES

<u>Quantity</u>	<u>Description</u>	<u>Drawing</u>
1	Tabletop	
2	Tabletop Support	
12	Carriage Bolts 3 1/2" x 5/16", Washers and Nuts	
8	Deck Screws 8" X 3"	

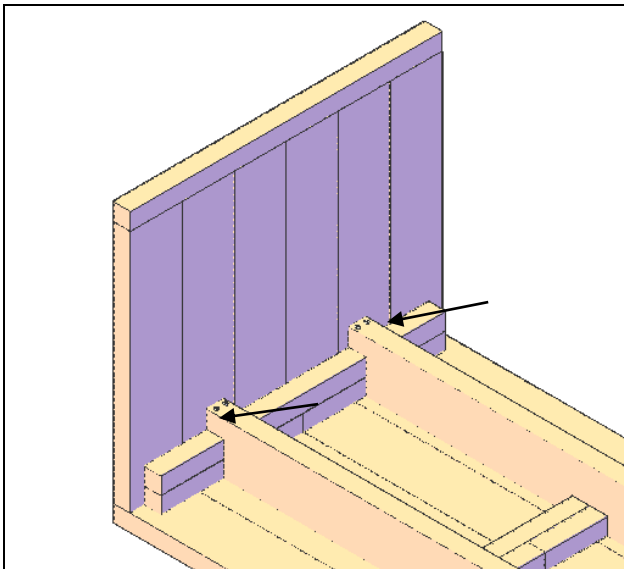
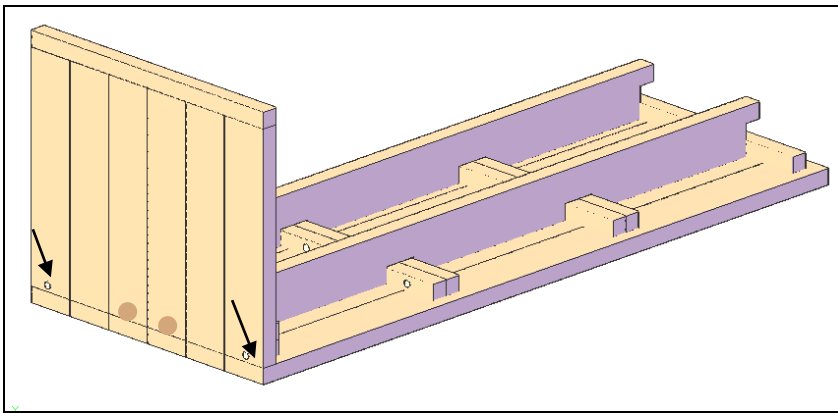
ASSEMBLY INSTRUCTIONS

Thank you for purchasing Forever Redwood patio furniture. Forever Redwood is built by Old-Growth Again Restoration Forestry (OGA). OGA is dedicated to restoration forestry. Sales of patio furniture finance our restoration work in California redwood forestlands.

Tools required: ½-inch ratchet and a mallet or small hammer.

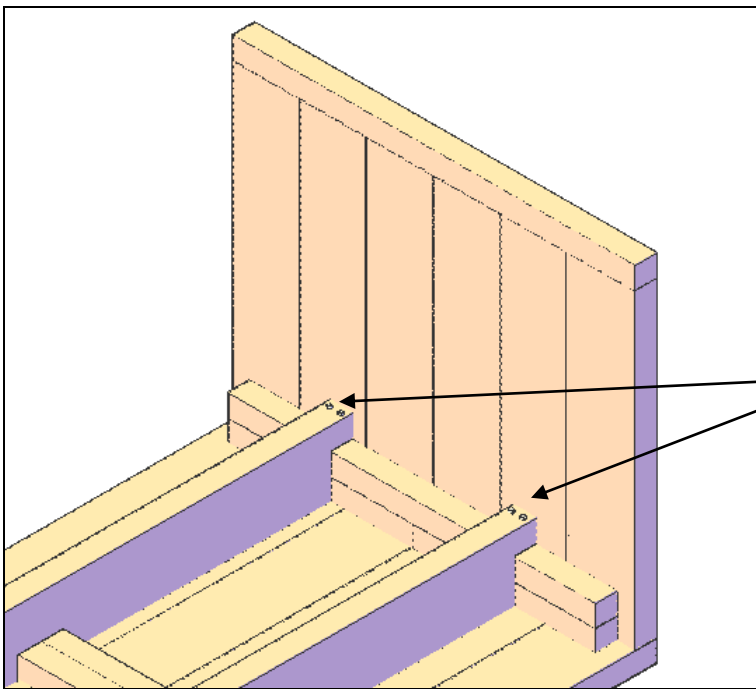
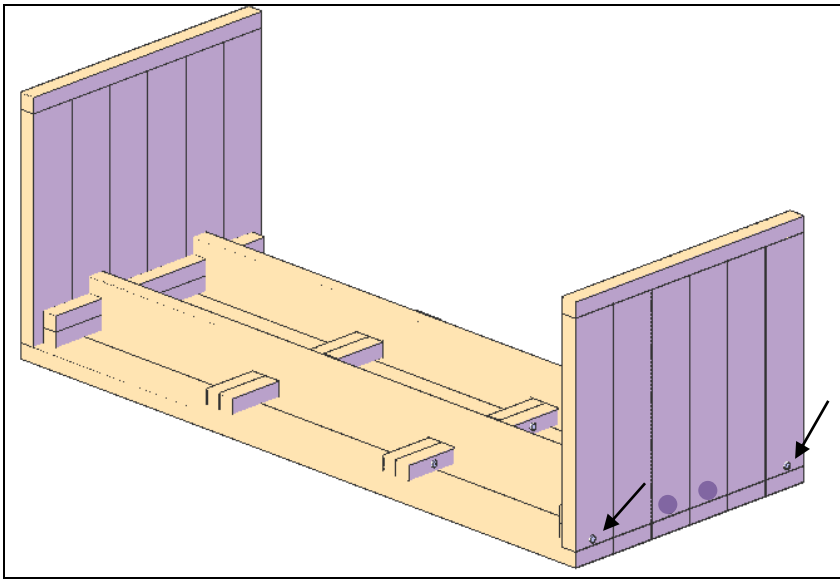
Your furniture was fully assembled in the shop prior to being dismantled for shipping. All the parts fit. The parts that go together have the same numbers written next to the predrilled holes they attach to. Please take the time to align the parts with the numbers. If you are forcing a bolt in, the part may be turned around or not aligned properly. Tap the bolt all the way into the wood to set it, then add a washer and lightly tighten. Don't over tighten or you will crush the redwood.

STEP 1: Attach leg assembly to Tabletop, with 2 bolts (3 ½" x 5/16"), washers & nuts. Tap the bolt all the way into the wood to set it. Then add a washer and nut and lightly tighten.



To reinforce left leg assembly part E to parts A & B (Tabletop). Add 4 deck screws (3 x 8"), at a 45 degree angle as shown.

STEP 2: Attach part F (leg assembly right) to A (Tabletop), with 2 bolts (3 ½" x 5/16"), washers & nuts. Tap the bolt all the way into the wood to set it. Then add a washer and nut and lightly tighten



To reinforce part F (leg assembly right) to parts A & B (Tabletop), add 4 deck screws (3 x 8") at 45 degree angles at points shown.

Thank you! If you have any questions, please call or email us.