
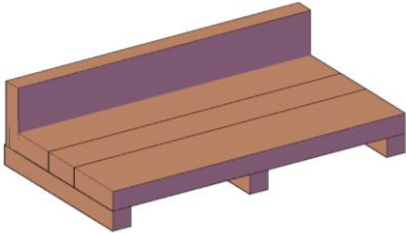
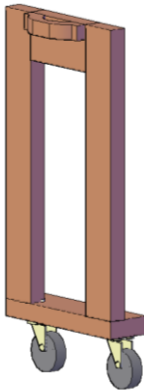
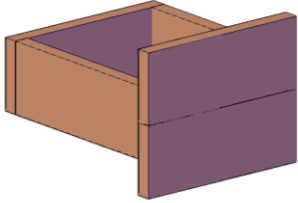


866.332.2403; Outside the US: 619.600.5630 8am-5pm Pacific Time, Monday-Friday

Assembly Instructions for: **MARY'S COOK'N' CARRY CARTS**



CONTENT OF BOXES

Quantity	Description	Drawing
1	Top	
1	Floor	
2	Side Walls	
1	Back Wall	
2	Shelves	
12	2 ½" x 5/16" Carriage Bolts, Washers and Nuts	
12	3" x 5/16" Carriage Bolts, Washers and Nuts	
8	4" x 5/16" Carriage Bolts, Washers and Nuts	

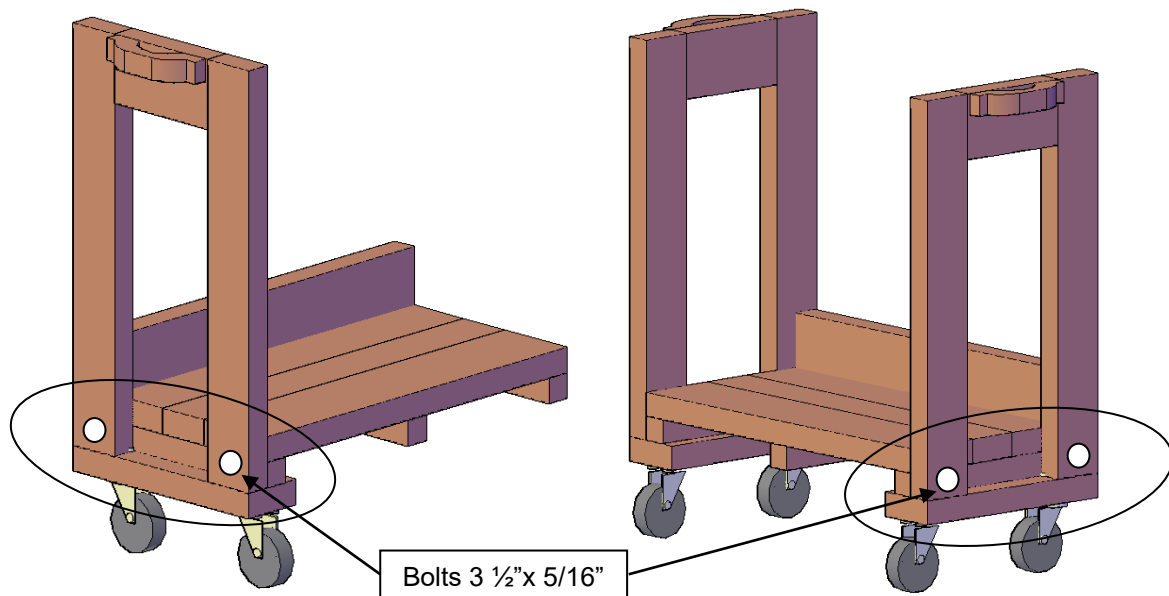
ASSEMBLY INSTRUCTIONS

Thank you for purchasing Forever Redwood patio furniture. Forever Redwood is built by Old-Growth Again Restoration Forestry (OGA). OGA is dedicated to restoration forestry. Sales of patio furniture finance our restoration work in California redwood forestlands.

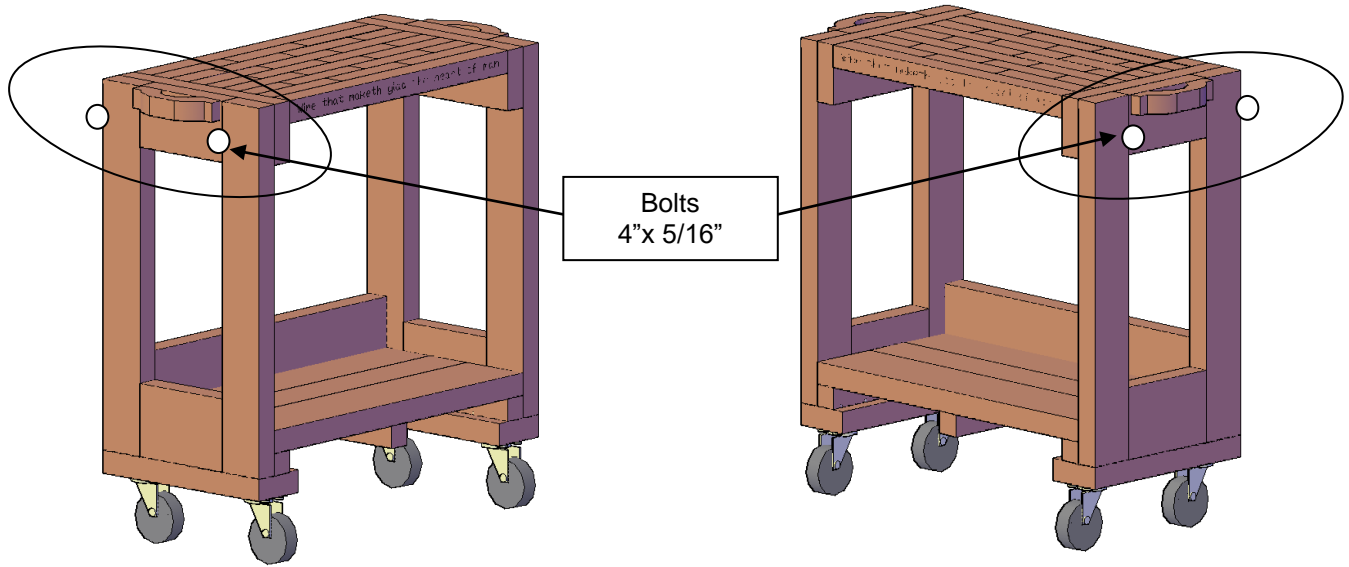
Tools required: ½-inch ratchet and a mallet or small hammer.

The parts that go together have the same numbers written next to the predrilled holes they attach to. Align the parts with the numbers as shown for ease of reference.

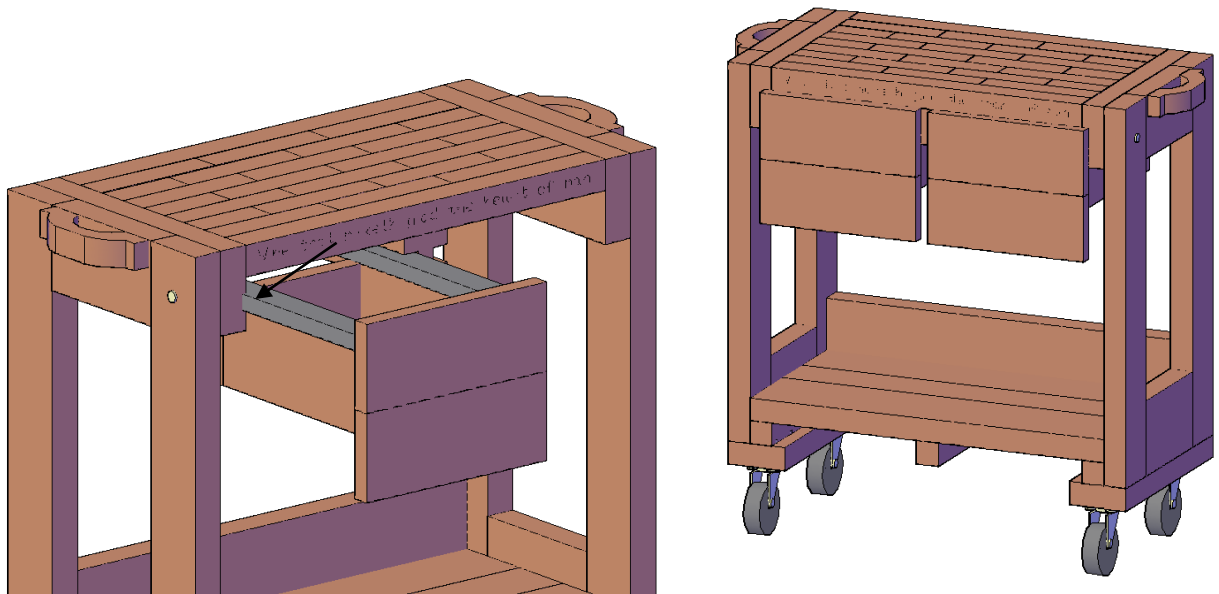
Step 1: Attach side to bottom shelf with two bolts (3 ½" x 5/16"), washers and nuts. Make sure the numbers written next to the predrilled holes match. Tap in the carriage bolts all the way into the wood so that it is "set" into the wood. Then insert the washer and nut and tighten lightly with a ½-inch ratchet. The bolts should tap into their holes. If you have to force a bolt, the piece is probably on the wrong side, is not aligned properly or is turned around. Do not over tighten or you'll crush the redwood and weaken the swing's strength. Repeat this step with the other side.



Step 2: Attach the top to both sides with 2 carriage bolts (4" x 5/16"), washers and nuts per side as shown below. Line up the predrilled holes on both sides and make sure the numbers written match., washers and nuts.



Step 3: Insert the drawers into the rails placed at the bottom of the top.



Thank you! If you have any questions, please call or email us.