
866.332.2403 (Toll Free); 7am-7pm Pacific Time, Monday-Saturday

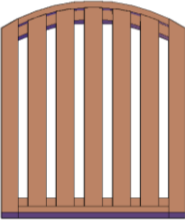
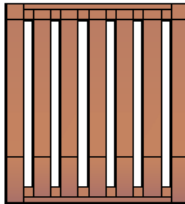
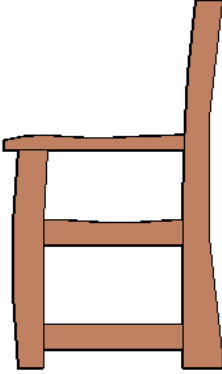


Assembly Instructions for: **LUNA CHAIRS**



Thank you for purchasing Forever Redwood patio furniture. Forever Redwood is built by Old-Growth Again Restoration Forestry (OGA). OGA is dedicated to restoration forestry. Sales of patio furniture finance our restoration work in California redwood forestlands.

Tools required: ½-inch ratchet and a mallet or small hammer.

Box Content:

Quantity	Description	Drawings
1	Backrest	
1	Seat	
2	Sides (With Arms or Armless)	
2	Diagonal Supports	
1	Front Brace	
10	3 ½" Carriage Bolts, Washer & Nuts	
4	4 ½" Carriage Bolts, Washer & Nuts	

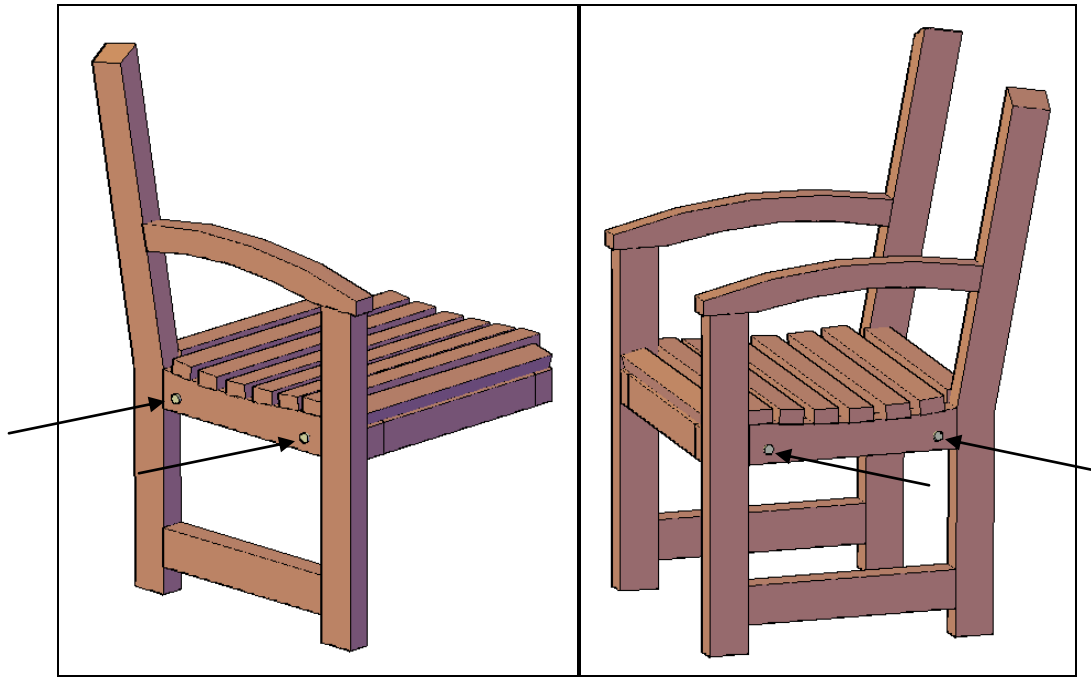
The parts that go together have the same numbers written next to the predrilled holes they attach to. Align the parts with the numbers as shown for ease of reference

Tools required: ½-inch ratchet and a mallet or small hammer.

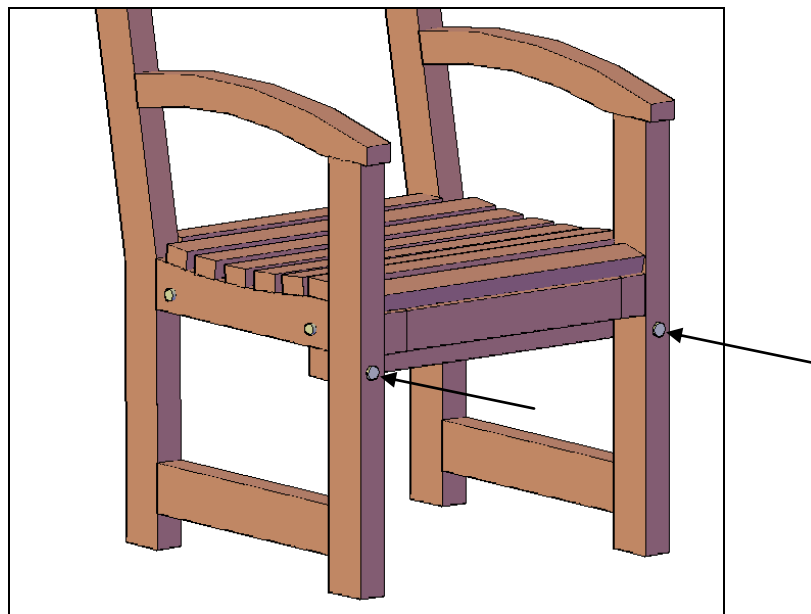
Your chair was partially disassembled into 7 parts and hardware (2 sides, 1 seat, 1 backrest, 2 diagonal supports and 1 front brace).

It is assembled with 14 carriage bolts, washers and nuts. You have two sizes of carriage bolts, but all the washers and nuts are the same size. Assembly process is the same for chairs with arms and armless.

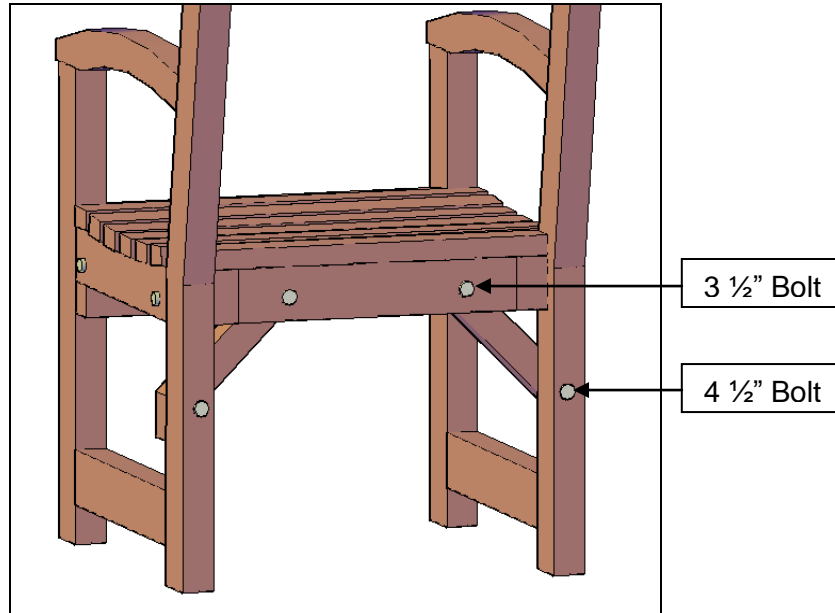
Step 1: Attach sides to seat. On the edges of the seat you'll find a number written next to a set of 2 predrilled holes. Match this number to the number written next to the 2 pre-drilled holes on the interior edge of the center number of the side of the chair. Tap in the 3 ½" carriage bolts from the outside edge into the 2 holes to attach the seat and side. Tap the bolts in all the way, then insert the washer and nut and tighten with a ½- inch ratchet. Repeat with the other side.



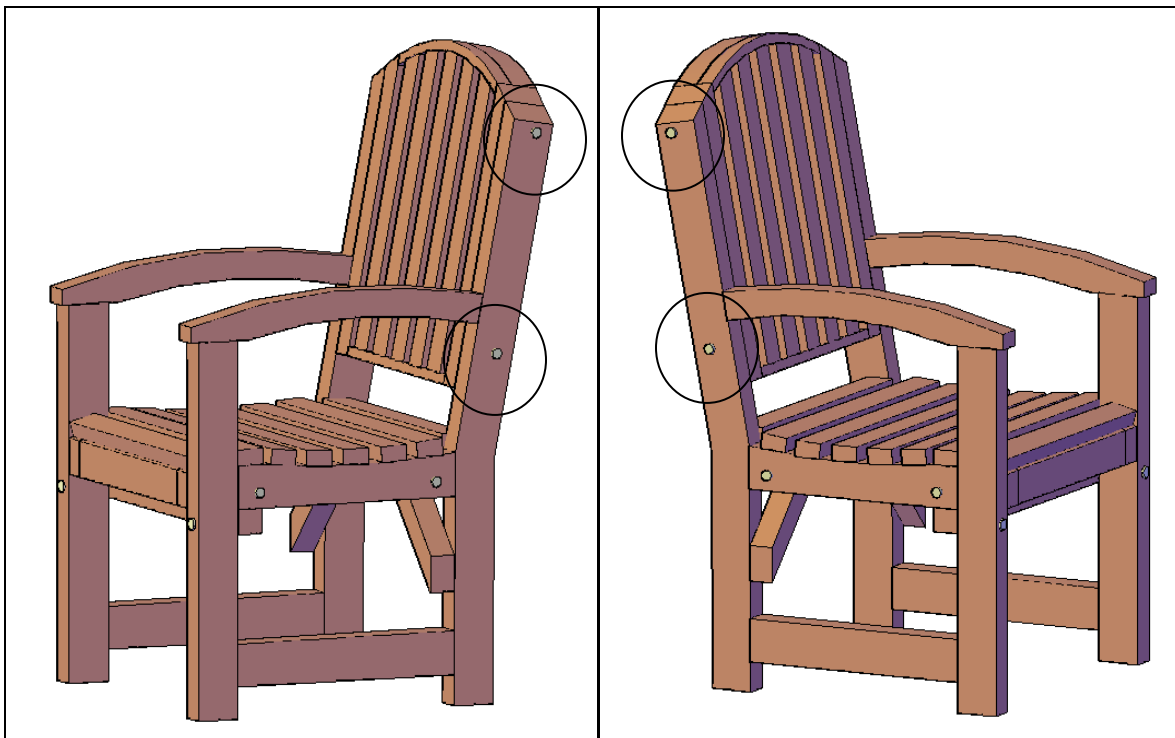
Step 2: Attach the front brace to sides. The predrilled holes have numbers written on them on the interior side. Match these numbers to the numbers written next to the holes on the front brace piece. Tap the 4 ½" carriage bolts from the outside in. Tap the bolts in all the way, then add washers, nuts and tighten with ½-inch ratchet. Do not over-tighten.



Step 3: Attach the diagonal support piece to sides and seat. Match up the numbers written on the inside edge of these holes to the numbers written on the support piece. Align the predrilled holes, tap carriage bolts from the outside in. Tap the bolts in all the way, then add washers and nuts and tighten. Repeat for both sides.



Step 4: Attach the backrest to sides. Match the numbers written next to the predrilled holes on both sides and backrest. Tap in the 3 1/2" carriage bolts to attach the backrest to the chair side. Tap the bolts in all the way, then insert the washer and nut and tighten with a 1/2-inch ratchet. Do not over tighten or you'll crush the redwood and weaken the chair structure. Repeat for other side.



Thank you. If you have any questions, please call or email us.