



# FOREVER REDWOOD

*From the Forest, For the Forest since 1995*

---

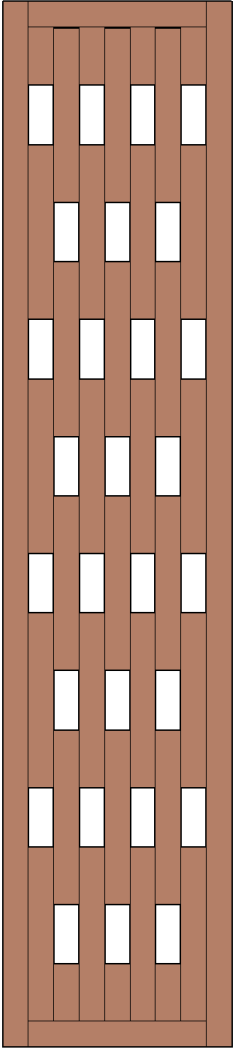

866.332.2403 (TOLL FREE); 7am – 7pm Pacific Time, Monday-Saturday

## ASSEMBLY INSTRUCTIONS FOR THE LIGHTHOUSE SHELVE






**CONTENT OF BOXES**

Qty.	Description	Drawing	No.
1	Shelf		1
4	Knee Braces		2

*Note: Part numbers in the Content of Boxes Table are for reference only. These do not match to the numbers marked on the parts sent.*

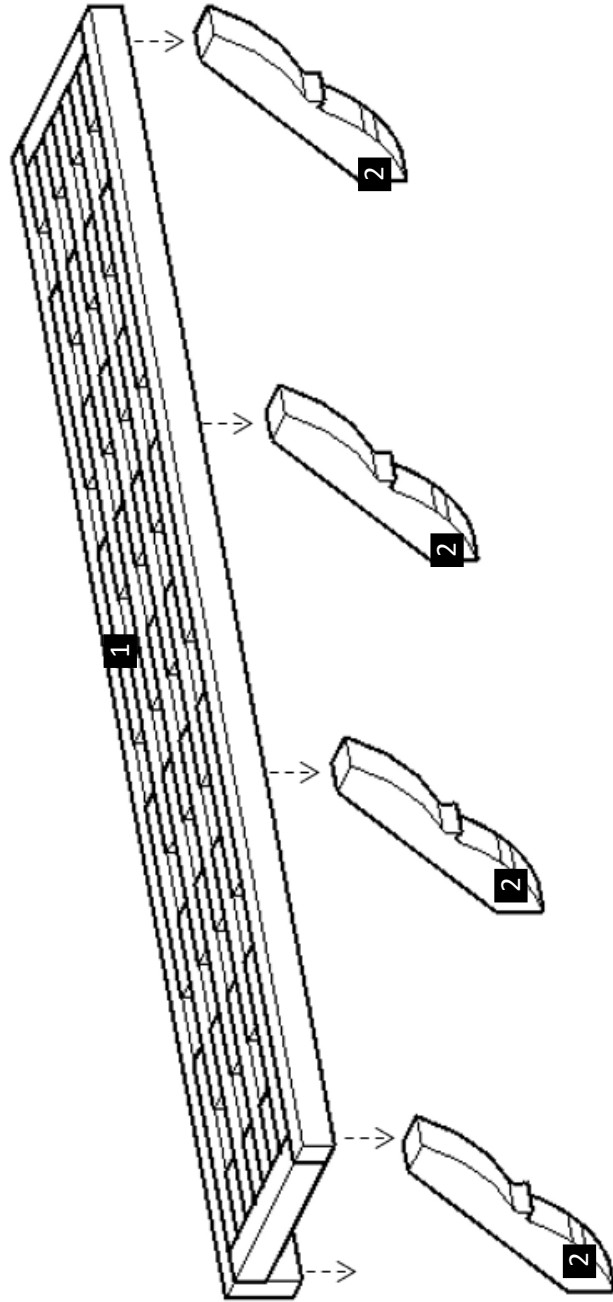




HARDWARE LIST		
Description	Drawing	No.
8 X 3` Deck Screws (To attach the Shelf and the Braces to the wall. / To attach the knee braces to the Shelf).		A

*Note: Dimensions of your hardware will vary depending on size.*

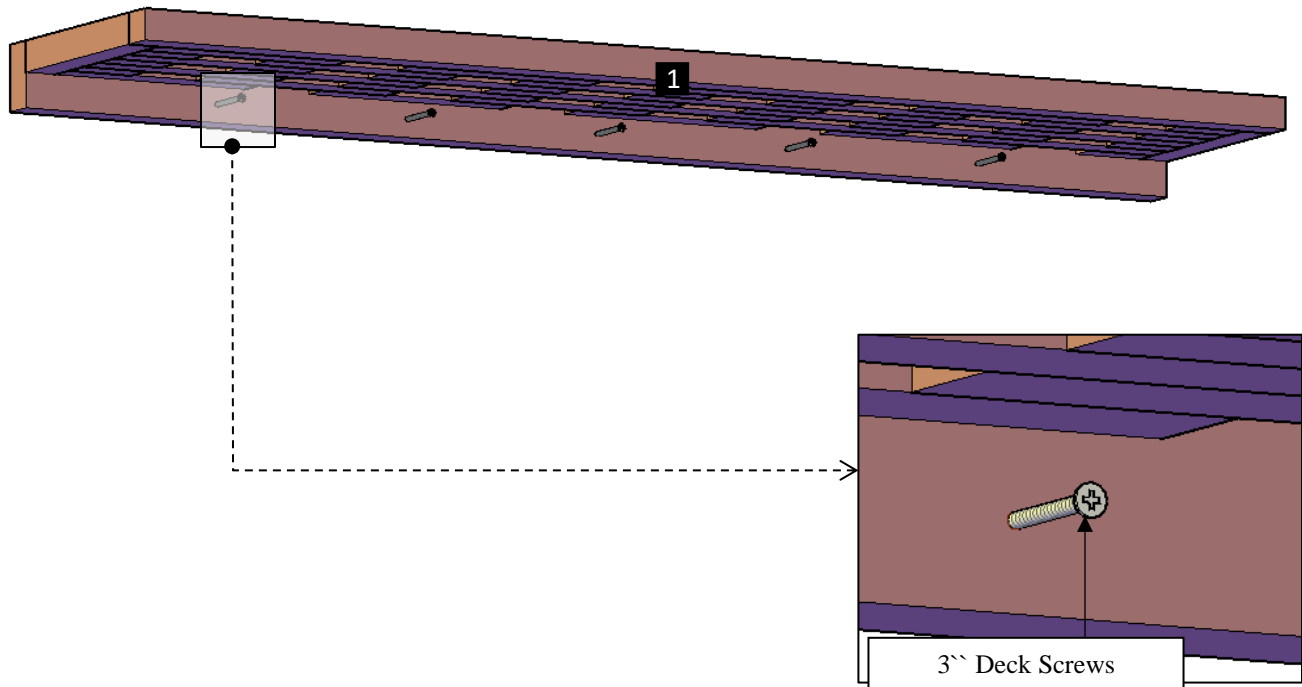




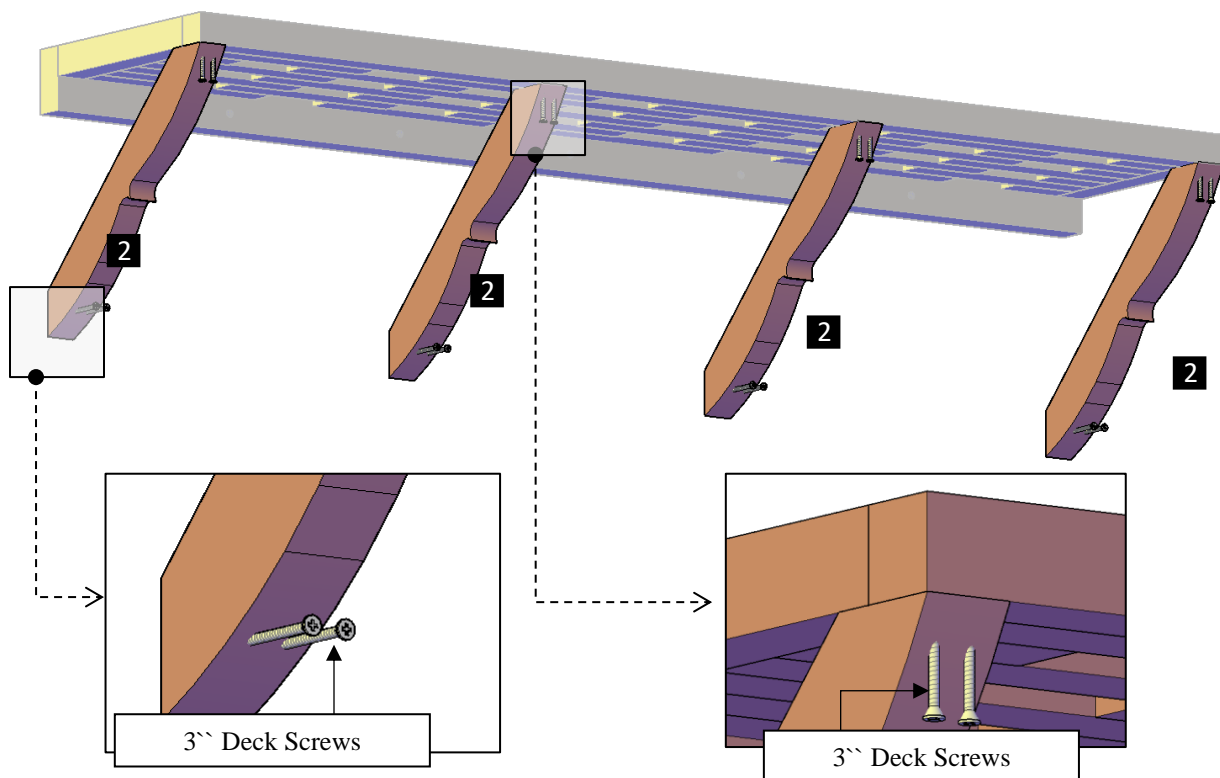
DESCRIPTION	No
Shelf	1
Knee Braces	2

*Note: Part numbers in the Drawing are for reference only. These do not match to the numbers marked on the parts sent.*

**Step 1:** Attach the shelf (1) to the wall with 3" deck screws (A). Each part has a series of numbers that indicate where to attach the part with the corresponding number.



**Step 2:** Then, attach the knee braces (2) to the wall and shelf top with 3" deck screws (A). Each part has a series of numbers that indicate where to attach the part with the corresponding number.





*This completes the Shelf assembly. Hope you enjoy your set for many decades. If you ever have a problem or a question, don't hesitate to call us (866 332 2403) or email us. We are here to support you.*