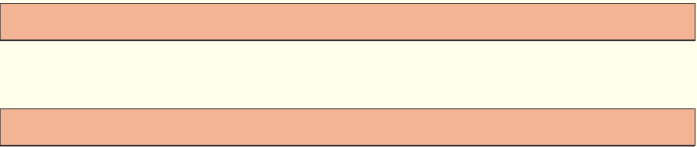
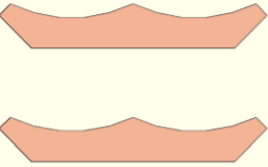
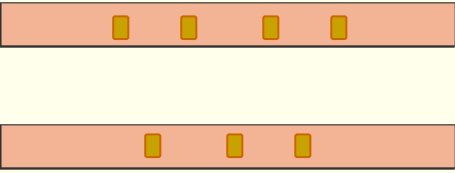
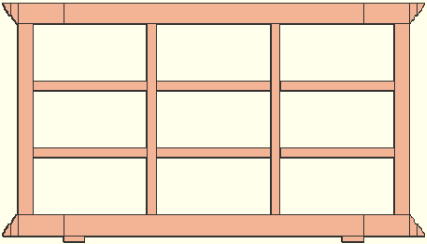
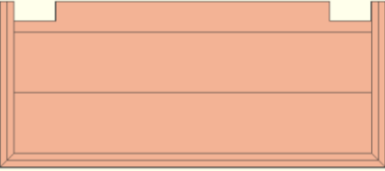


866.332.2403 (Toll Free); 8am-5pm Pacific Time, Monday-Friday

## Assembly Instructions for: **JULIA'S HALL TREES**



## CONTENT OF BOXES

Quantity	Description	Drawing
20	Deck Screws 8" x 3"	
4	Deck Screws 6" x 1 5/8"	
4	Hangers with Deck screws	
2	Leg assembly right and leg assembly left	
2	Cantilever Supports	
2	Hanger Board	
1	Bench Seat and shoe storage cubby	
1	Top Shelf	

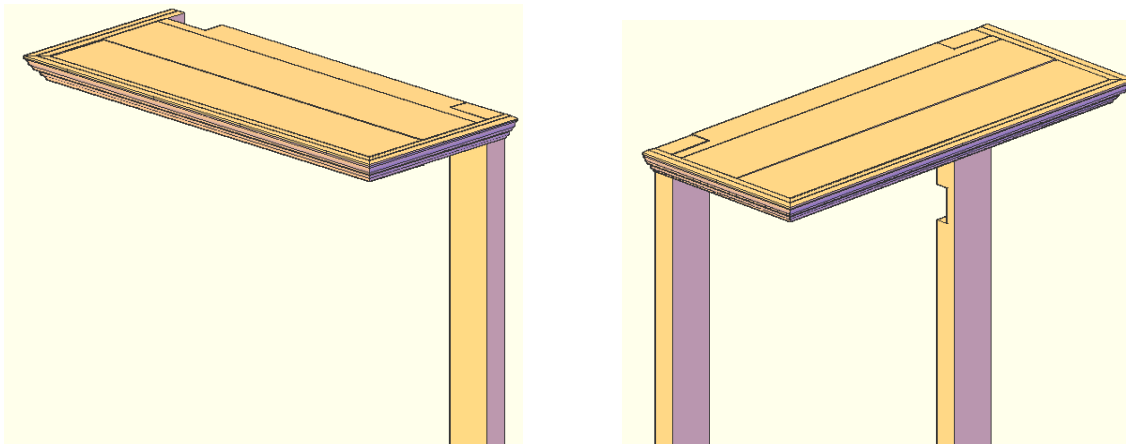
## CONTENT OF BOXES

Thank you for purchasing Forever Redwood patio furniture. Forever Redwood is built by Old-Growth Again Restoration Forestry (OGA). OGA is dedicated to restoration forestry. Sales of patio furniture finance our restoration work in California redwood forestlands.

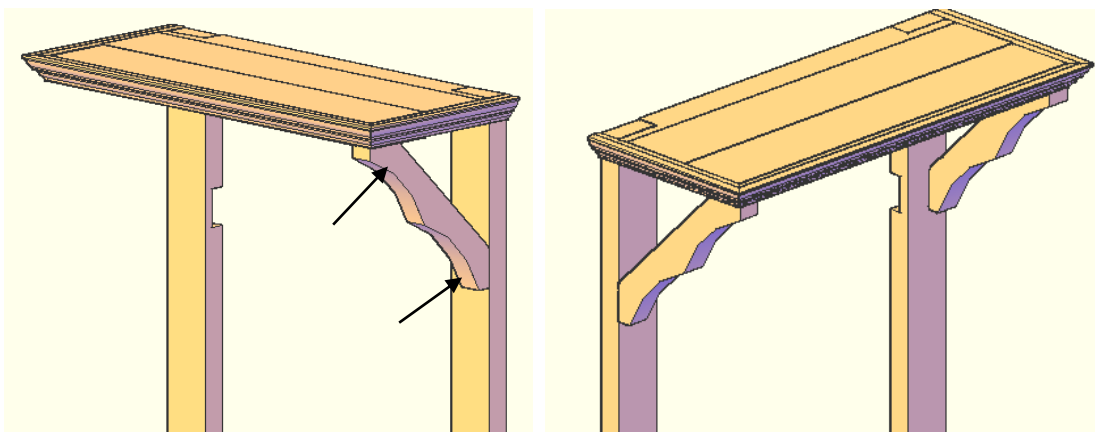
**Tools required:** a drill.

The parts that go together have the same numbers written next to the predrilled holes they attach to. Align the parts with the numbers as shown for ease of reference

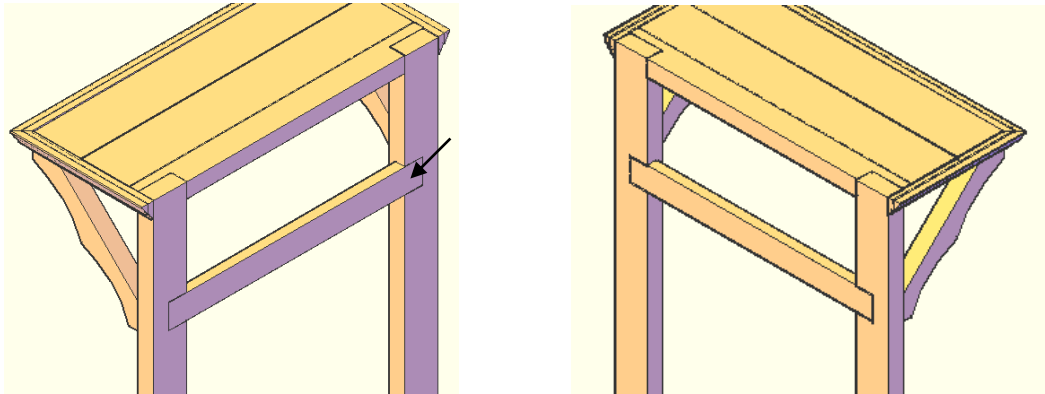
**Step 1:** Attach part Top Shelf to part C leg assembly right, with two Deck Screws (8"x 3"). Repeat to the other side.



**Step 2:** Attach Cantilever Support to part leg assembly right, with four Deck Screws (8"x 3"). Repeat with the other cantilever support.



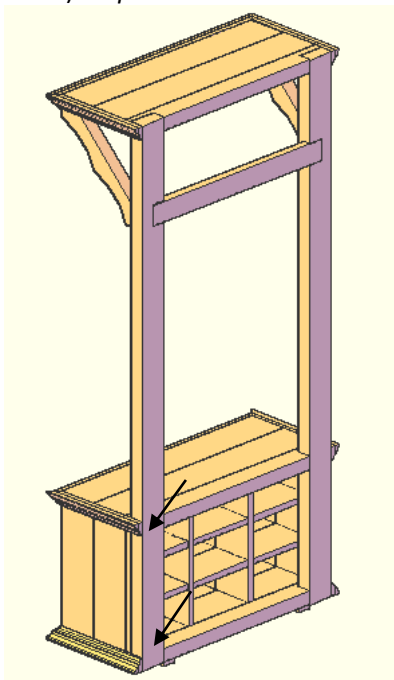
**Step 3:** Attach Hanger Board to leg assembly left, with deck Screws (6" x 1 5/8")  
*Repeat to the other side.*



*Attach the other hanger board.*



**Step 4:** Attach leg assembly right to Bench Seat and shoe storage cubby with four Deck Screws (3" x #8"). *Repeat to the other side.*



Thank you. If you have any questions, please call or email us