



FOREVER REDWOOD

From the Forest, For the Forest since 1995

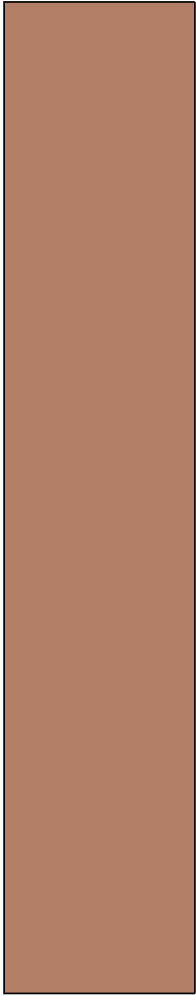
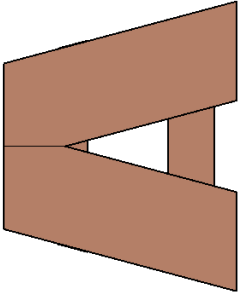

866.332.2403 (TOLL FREE); 7am – 7pm Pacific Time, Monday-Saturday

ASSEMBLY INSTRUCTIONS FOR THE **HERITAGE WOODEN PICNIC BENCH**





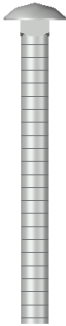
CONTENT OF BOXES

Qty.	Description	Drawing	No.
1	Seat		1
2	Legs		2
2	Diagonal Supports		3

Note: Part numbers in the Content of Boxes Table are for reference only. These do not match to the numbers marked on the parts sent.

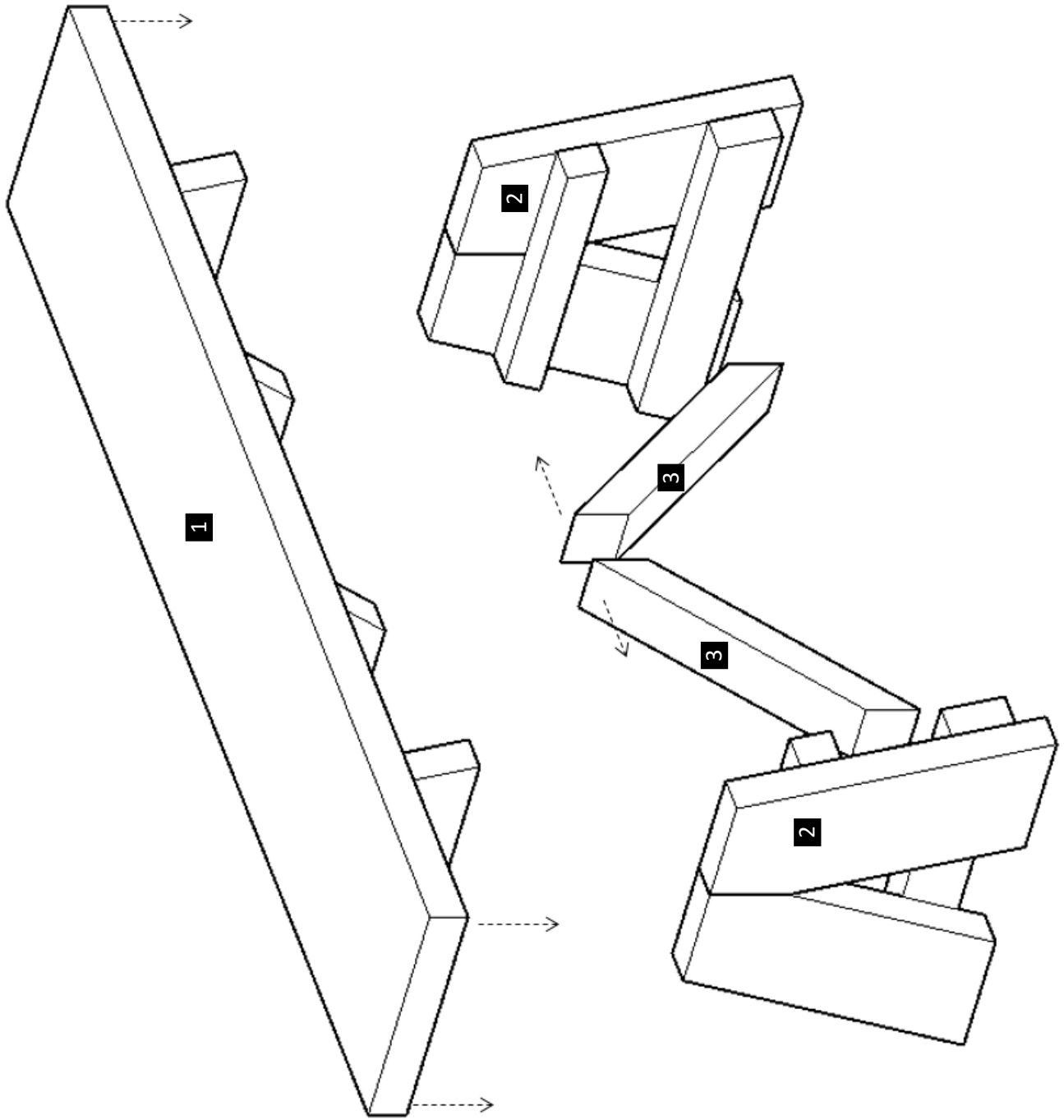


HARDWARE LIST

Description	Drawing	No.
5/16" X 3 1/2" Bolts (To attach legs to the seat. / To attach the diagonal supports to the seat and to the legs).		A

Note: Dimensions of your hardware will vary depending on size.

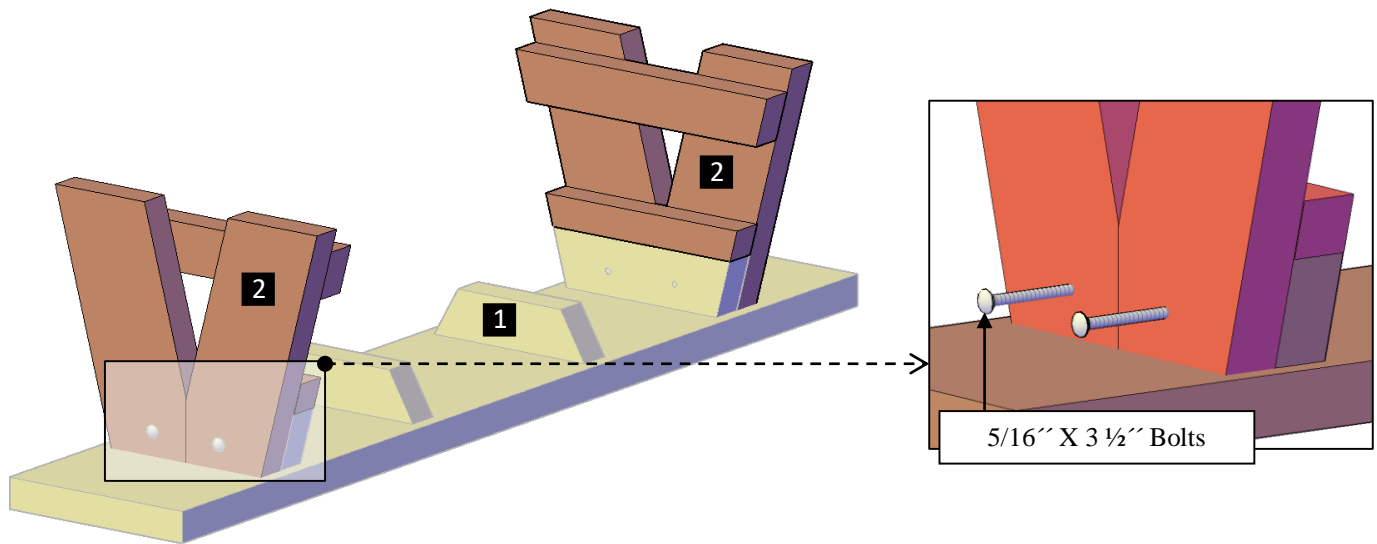




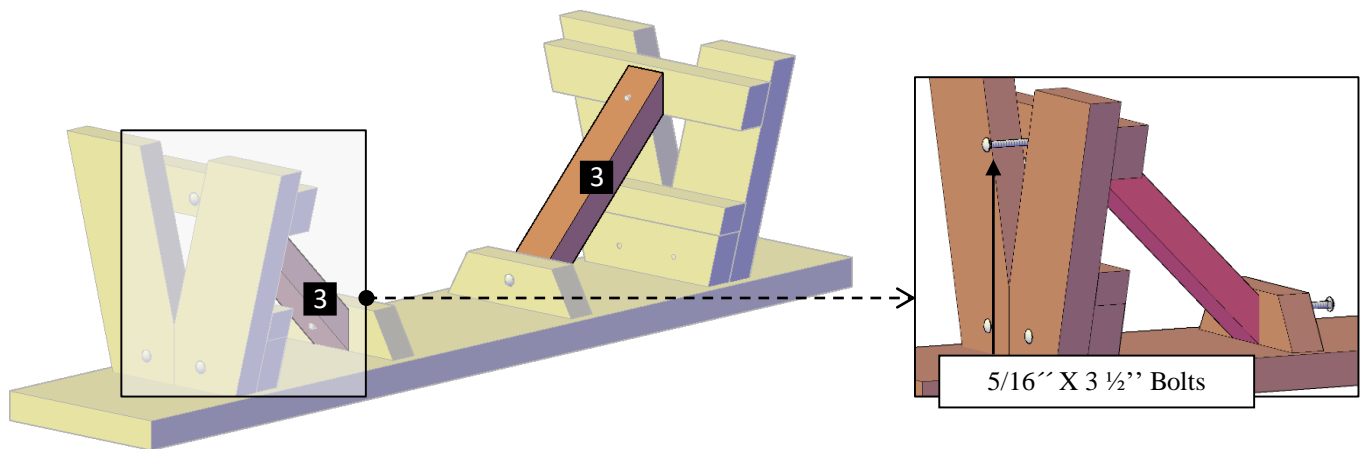
DESCRIPTION	No
Seat	1
Legs	2
Diagonal Supports	3

Note: Part numbers in the Drawing are for reference only. These do not match to the numbers marked on the parts sent.

Step 1: Place the bench upside down. After that, attach the legs (2) to the seat (1) with 5/16" x 3 1/2" bolts (A). Each part has a series of numbers that indicate where to attach the part with the corresponding number.



Step 2: Use 5/16" x 3 1/2" bolts (A) to attach the diagonal supports (3) to the bench and to the seat. Each part has a series of numbers that indicate where to attach the part with the corresponding number.



Step 3: Finally, turn the bench over its feet.



This completes the Bench Assembly. Hope you enjoy your set for many decades. If you ever have a problem or a question, don't hesitate to call us (866 332 2403) or email us. We are here to support you.