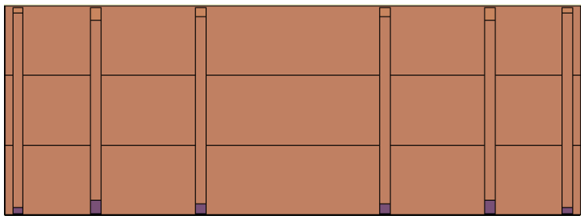

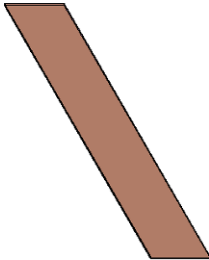



866.332.2403 (Toll Free); 7am-7pm Pacific Time, Monday-Saturday

Assembly Instructions for: **HERITAGE PICNIC TABLES (ALONE)**



Thank you for purchasing Forever Redwood patio furniture. Forever Redwood is built by Old-Growth Again Restoration Forestry (OGA). OGA is dedicated to restoration forestry. Sales of patio furniture finance our restoration work in California redwood forestlands.

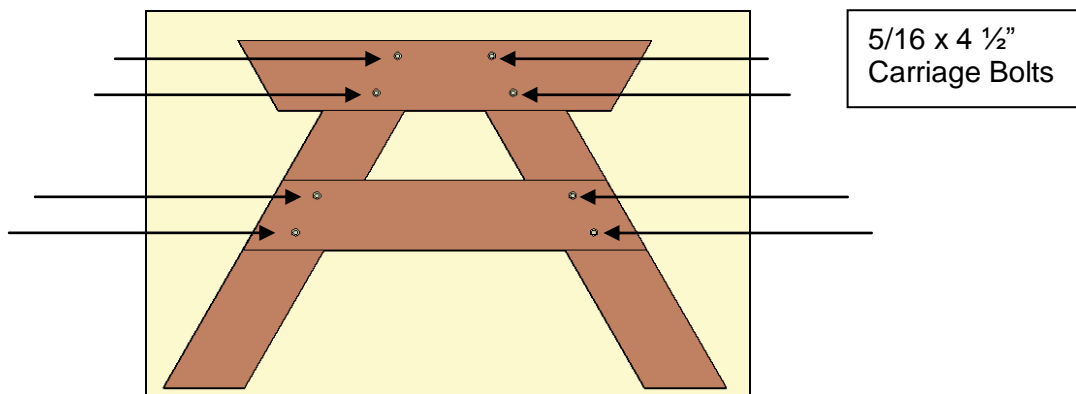
Content of boxes

<u>Quantity</u>	<u>Description</u>	<u>Drawing</u>
1	Table Top (A)	
2	Diagonal Supports	
4	Legs	
2	Short Leg Supports	
2	Long Leg Supports	
8	Carriage Bolts 5/16" x 3 1/2", Washers and Nuts	
16	Carriage Bolts 5/16" x 4 1/2", Washers and Nuts	

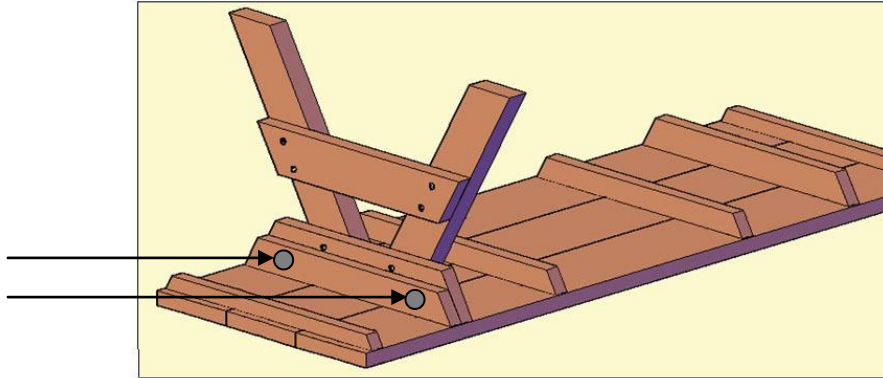
The parts that go together have the same numbers written next to the predrilled holes they attach to. Align the parts with the numbers as shown for ease of reference

Tools required: 1/2-inch ratchet and a mallet or small hammer.

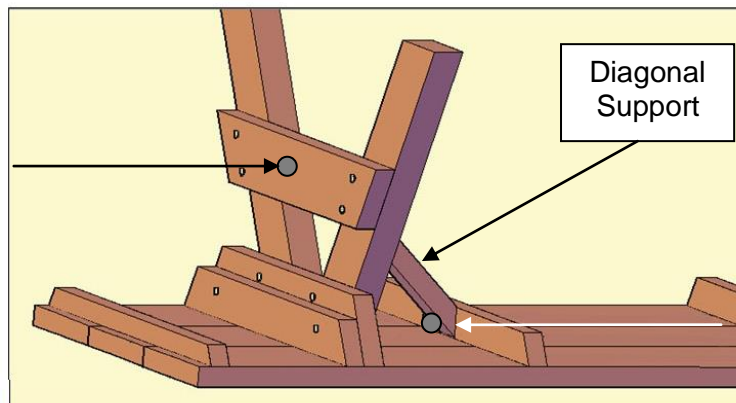
Step 1: Attach one long leg support and one short leg support to 2 legs as shown below. Make sure the numbers on the legs match up with both leg supports. Align the predrilled holes, tap the bolts (4 1/2" x 5/16 bolts) all the way in (set the bolt into the wood), add a washer and tighten the nut. Repeat this step to assemble the other 2 legs and leg supports.



Step 2: Place the tabletop on a soft surface upside down and find those structural boards with predrilled holes. Attach leg assembly to those boards, with two bolts 5/16" x 3 1/2", washers & nuts. Tap the bolt all the way into the wood to set it. Then add a washer and nut and lightly tighten. Repeat this step to attach the other leg assembly.



Step 3: Attach diagonal support to tabletop and leg, with two bolts 5/16" x 3 1/2", washers & nuts. Tap the bolt all the way into the wood to set it. Then add a washer and nut and lightly tighten. Repeat this step to attach the other diagonal support to the other side of the table.



Step 3: Then carefully turn the table around. The tips of the legs can be splintered if the table is dragged. It is best to turn the table over with two persons to avoid this.



Thank you. If you have any questions, please call or email us.