



FOREVER REDWOOD

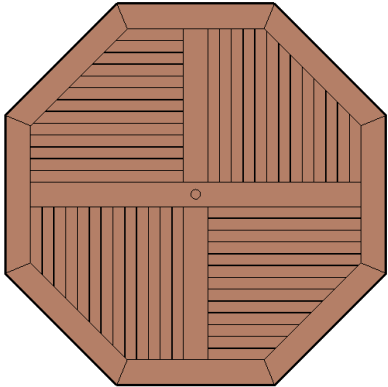
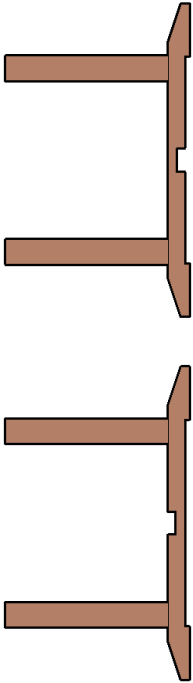
From the Forest, For the Forest since 1995

866.332.2403 (TOLL FREE); 7am – 7pm Pacific Time, Monday-Saturday

ASSEMBLY INSTRUCTIONS FOR THE **HELEN'S OCTAGONAL TERRACE TABLES**





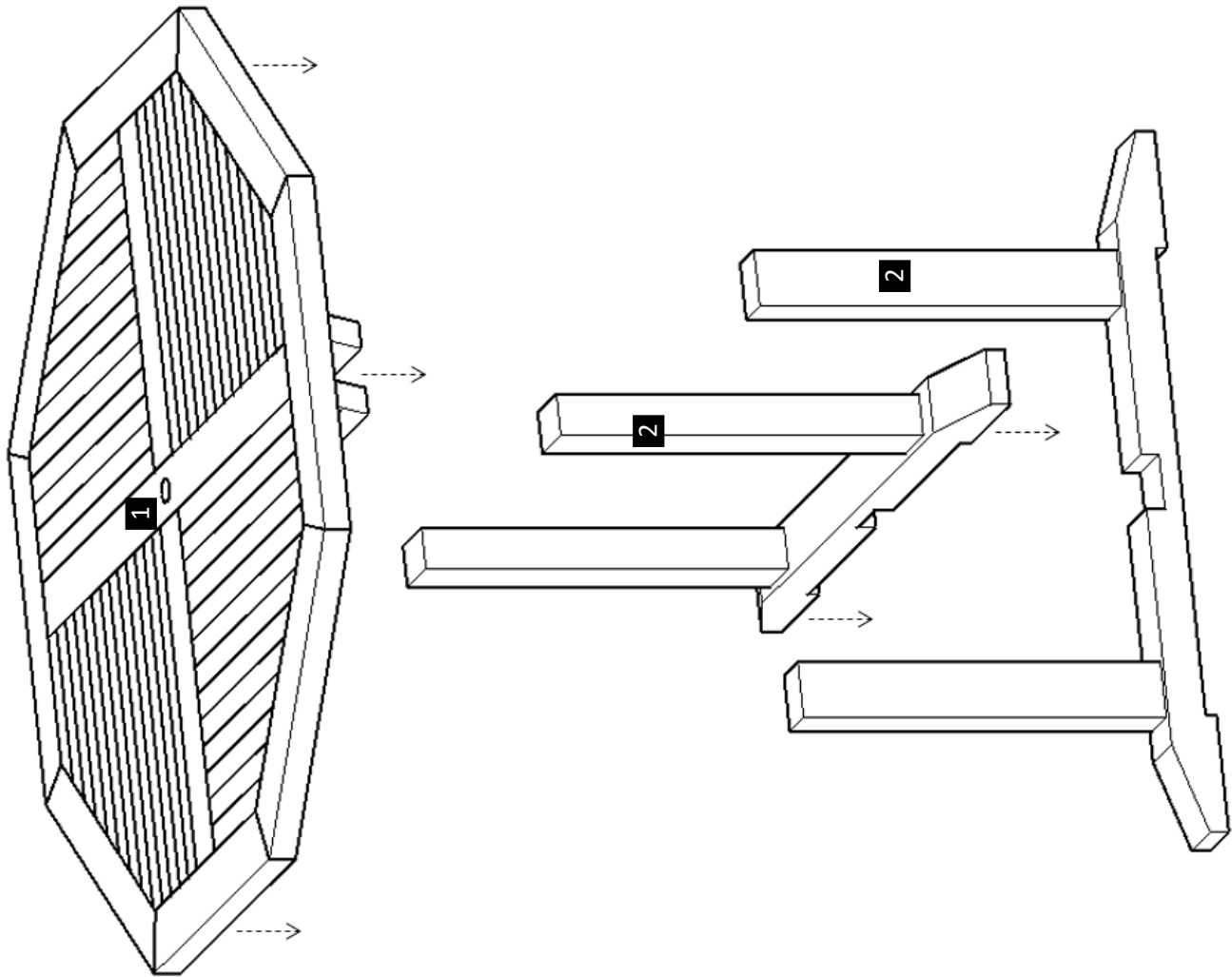
CONTENT OF BOXES			
Qty.	Description	Drawing	No.
1	Tabletop		1
2	Legs		2

Note: Part numbers in the Content of Boxes Table are for reference only. These do not match to the numbers marked on the parts sent.

HARDWARE LIST	
Description	No.
5/16" X 6" Bolts (To attach the legs to the tabletop).	A

Note: Dimensions of your hardware will vary depending on size.

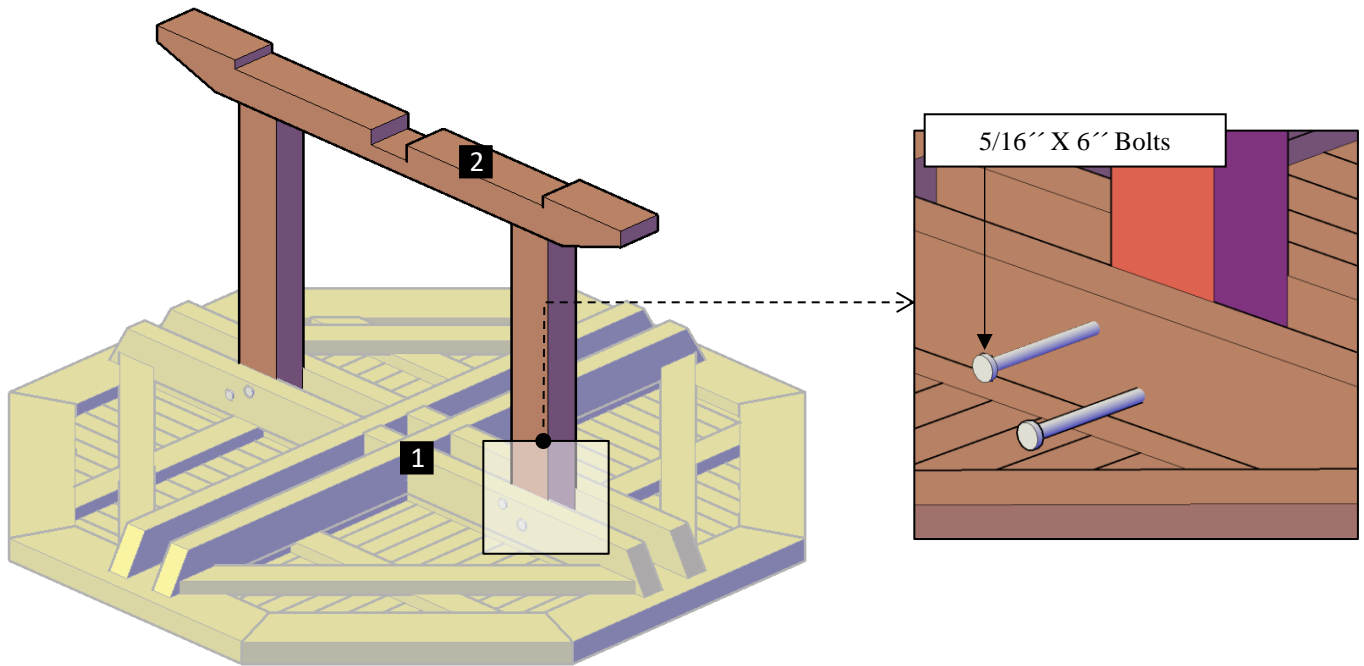




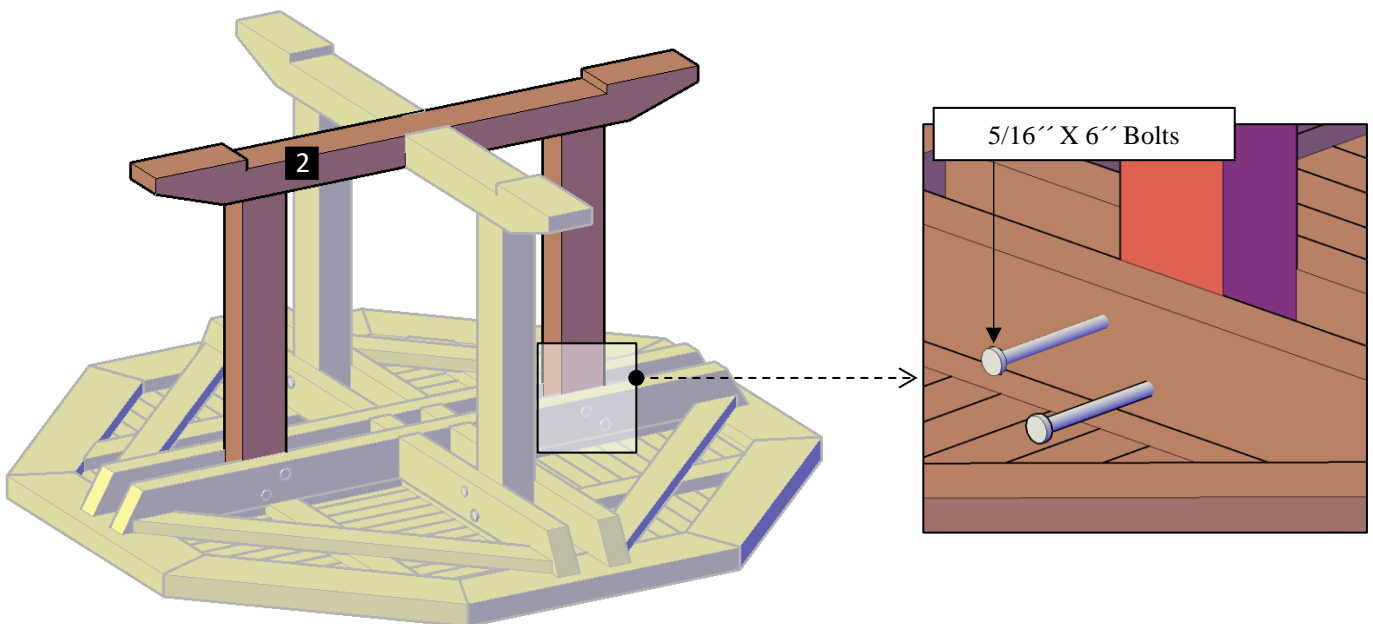
DESCRIPTION	No
Tabletop	1
Legs	2

Note: Part numbers in the Drawing are for reference only. These do not match to the numbers marked on the parts sent.

Step 1: Place the Tabletop (1) upside down. After that, use 5/16" x 6" bolts (A) to attach one leg (2) to the tabletop. Each part has a series of numbers that indicate where to attach the part with the corresponding number.



Step 2: Attach the other leg (2) to the tabletop with 5/16" x 6" bolts (A). Each part has a series of numbers that indicate where to attach the part with the corresponding number.



Step 3: Finally, turn the table over its feet.



This completes the Table assembly. Hope you enjoy your set for many decades. If you ever have a problem or a question, don't hesitate to call us (866 332 2403) or email us. We are here to support you.