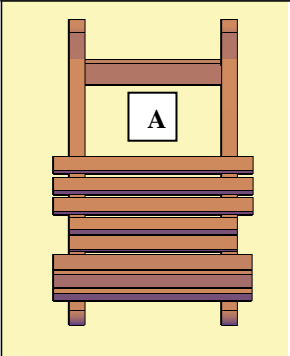
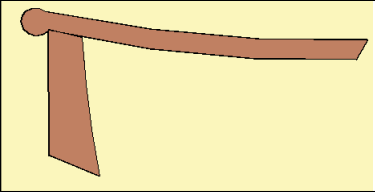
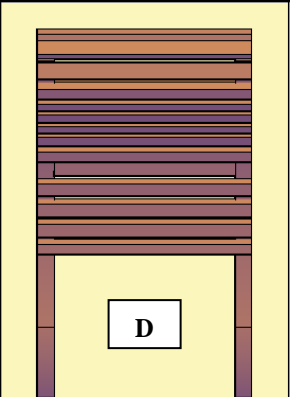

866.332.2403 (Toll Free), 7am-7pm Pacific Time, Monday-Saturday

Assembly instructions for: **ENSENADA ROCKING CHAIRS**

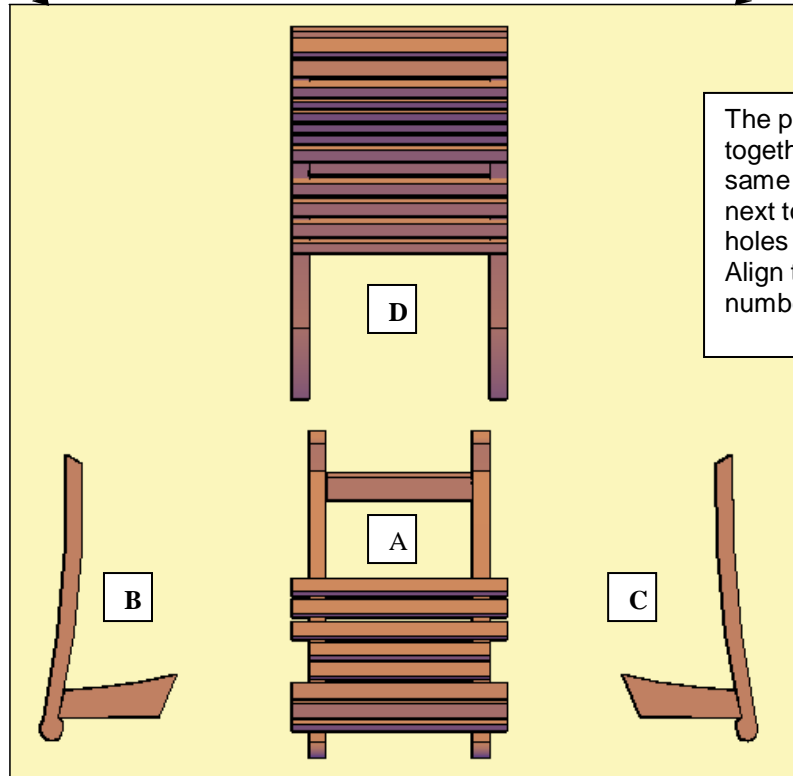


| <u>Quantity</u> | <u>Description</u> | <u>Drawing</u> |
|-----------------|---|--|
| 10 | Carriage Bolts 3 1/2" x 5/16", Washers and Nuts | |
| 2 | Carriage Bolts 3" x 5/16", Washers and Nuts | |
| 1 | Seat (A) |  |
| 2 | Armrest assemblies left (B) and right (C) |  |

| <u>Quantity</u> | <u>Description</u> | <u>Drawing</u> |
|-----------------|--------------------|---|
| 1 | Backrest (D) |  |

ASSEMBLY INSTRUCTIONS

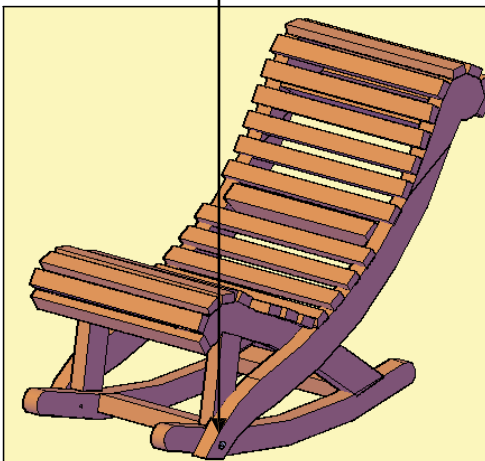
CONTENT OF THE BOXES



The parts that go together have the same numbers written next to the predrilled holes they attach to. Align the parts with the numbers as shown for

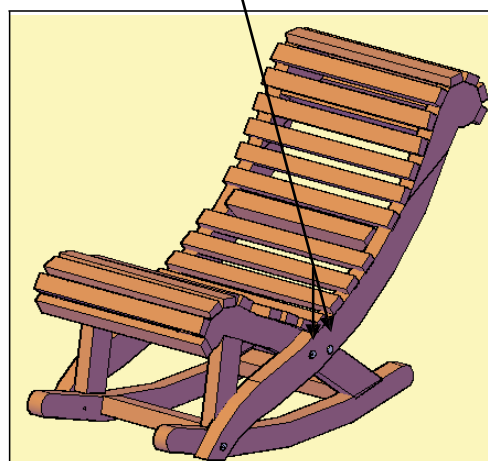
STEP 1:

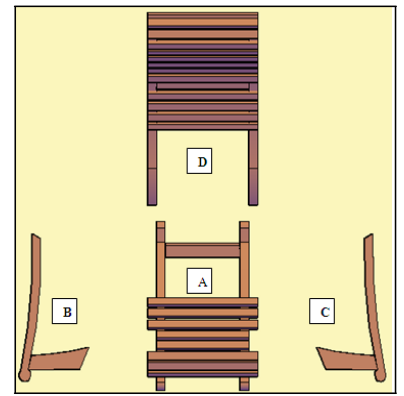
Attach part D (backrest) to part A (Seat), with one bolt (3 1/2" x 5/16"), washer & nut (into one hole marked "1"). Tap the bolt all the way into the wood to set it. Then add a washer and nut and lightly tighten.



STEP 2:

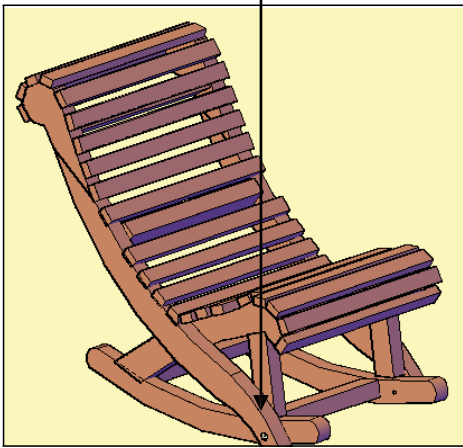
Attach part D (backrest) to part A (Seat), with two bolts (3 1/2" x 5/16"), washers & nuts (into two holes marked "2"). Tap the bolt all the way into the wood to set it. Then add a washer and nut and lightly tighten.





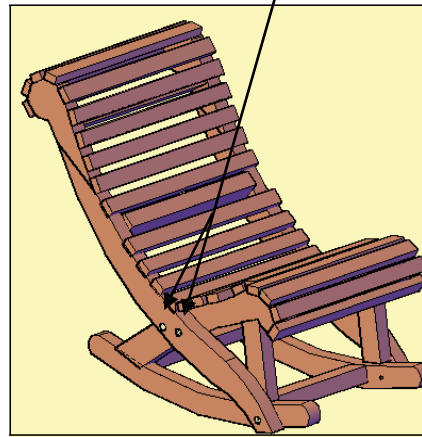
STEP 3:

Attach part D (backrest) to part A (Seat), with one bolt (3 1/2" x 5/16"), washer & nut (into one hole marched "3"). Tap the bolt all the way into the wood to set it. Then add a washer and nut and lightly tighten.



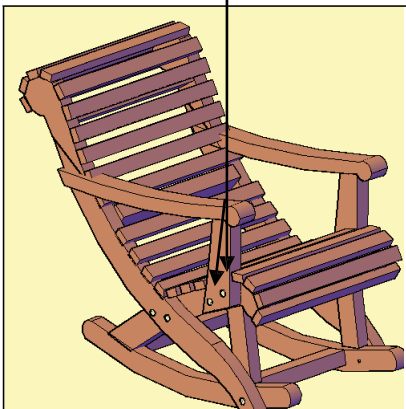
STEP 4:

Attach part D (backrest) to part A (Seat), with two bolts (3 1/2" x 5/16"), washers & nuts (into two holes marched "4"). Tap the bolt all the way into the wood to set it. Then add a washer and nut and lightly tighten.



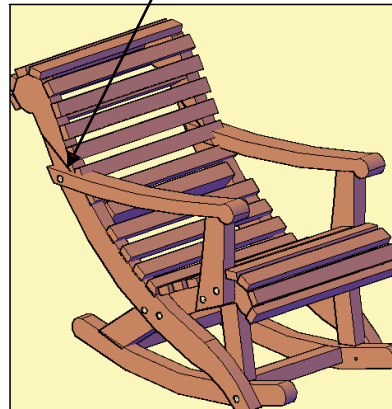
STEP 5:

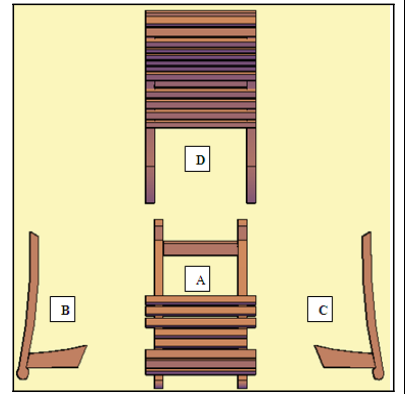
Attach part B (arm assembly left) to Part A (Seat), with two bolts (3 1/2" x 5/16"), washers & nuts (into two holes marched "5"). Tap the bolt all the way into the wood to set it. Then add a washer and nut and lightly tighten.



STEP 6:

Attach part B (arm assembly left) to part D (Backrest), with one bolt (3" x 5/16"), washer & nut (into one hole marched "6"). Tap the bolt all the way into the wood to set it. Then add a washer and nut and lightly tighten.





STEP 7:

Attach part C (arm assembly right) to part A (Seat), with two bolts (3 1/2" x 5/16"), washers & nuts (into two holes marked "7"). Tap the bolt all the way into the wood to set it. Then add a washer and nut and lightly tighten.

STEP 8:

Attach part C (arm assembly right) to part D (Backrest), with one bolt (3" x 5/16"), washer & nut (into one hole marked "8"). Tap the bolt all the way into the wood to set it. Then add a washer and nut and lightly tighten.

