



# FOREVER REDWOOD

*From the Forest, For the Forest since 1995*

---

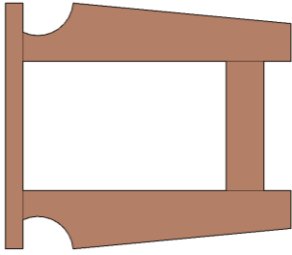
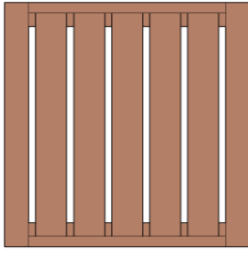

866.332.2403 (TOLL FREE); 7am – 7pm Pacific Time, Monday-Saturday

## ASSEMBLY INSTRUCTIONS FOR THE **EASY REDWOOD OTTOMAN**



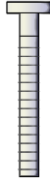


**CONTENT OF BOXES**

Qty.	Description	Drawing	No.
2	Legs		1
1	Seat		2
2	Diagonal Supports		3

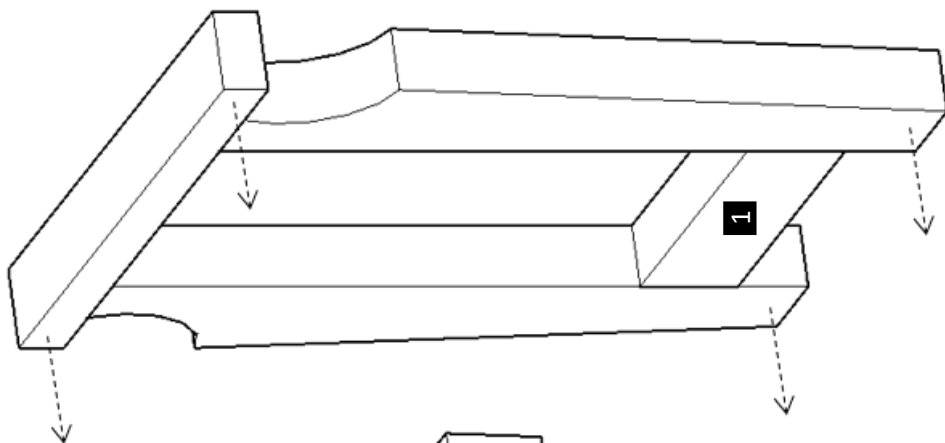
*Note: Part numbers in the Content of Boxes Table are for reference only. These do not match to the numbers marked on the parts sent.*

**HARDWARE LIST**

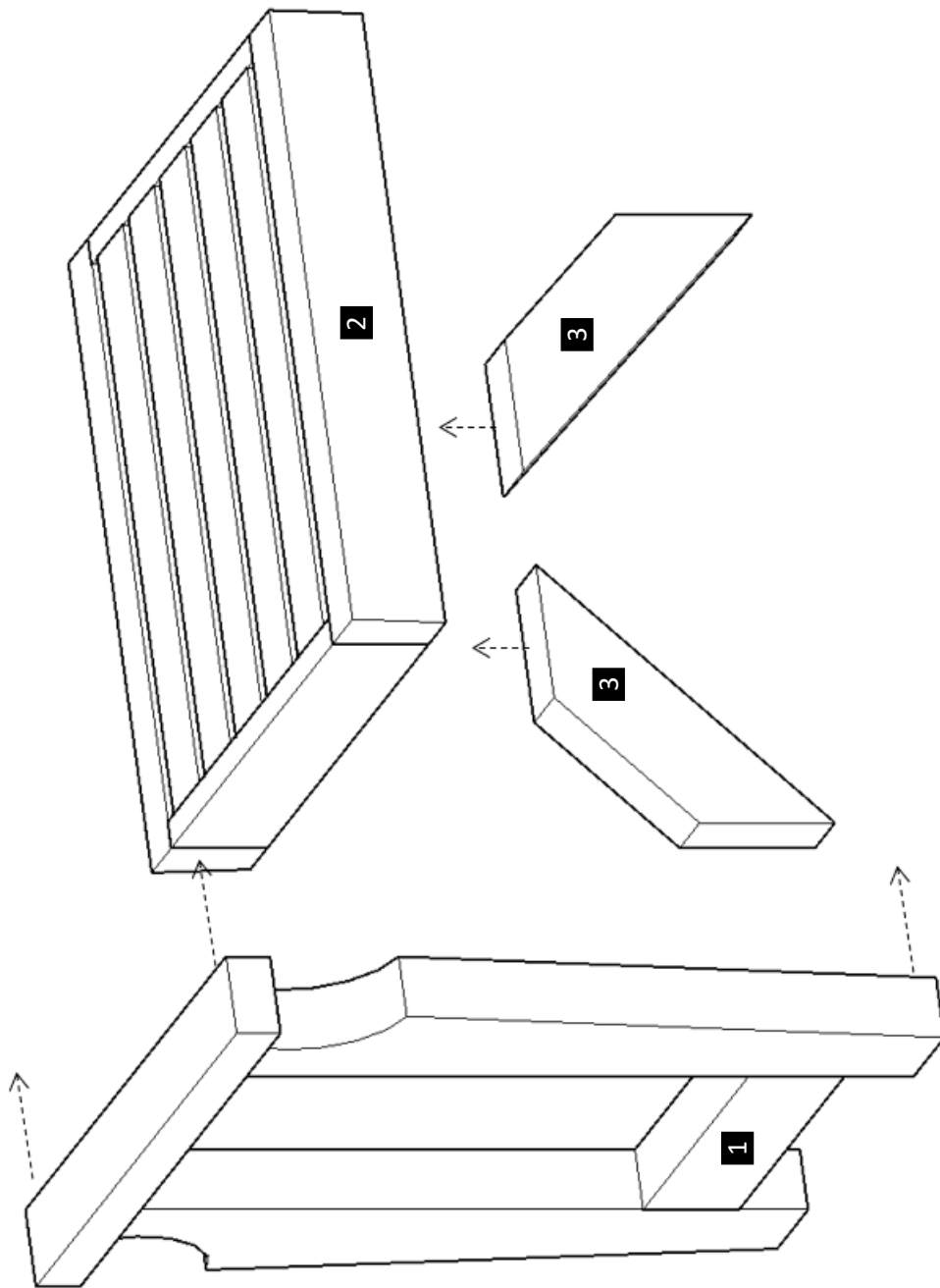
Description	Drawing	No.
5/16" X 3 1/2" Bolts (To attach the legs to the seat. / To attach the diagonal supports to the seat and to the legs).		A

*Note: Dimensions of your hardware will vary depending on size.*



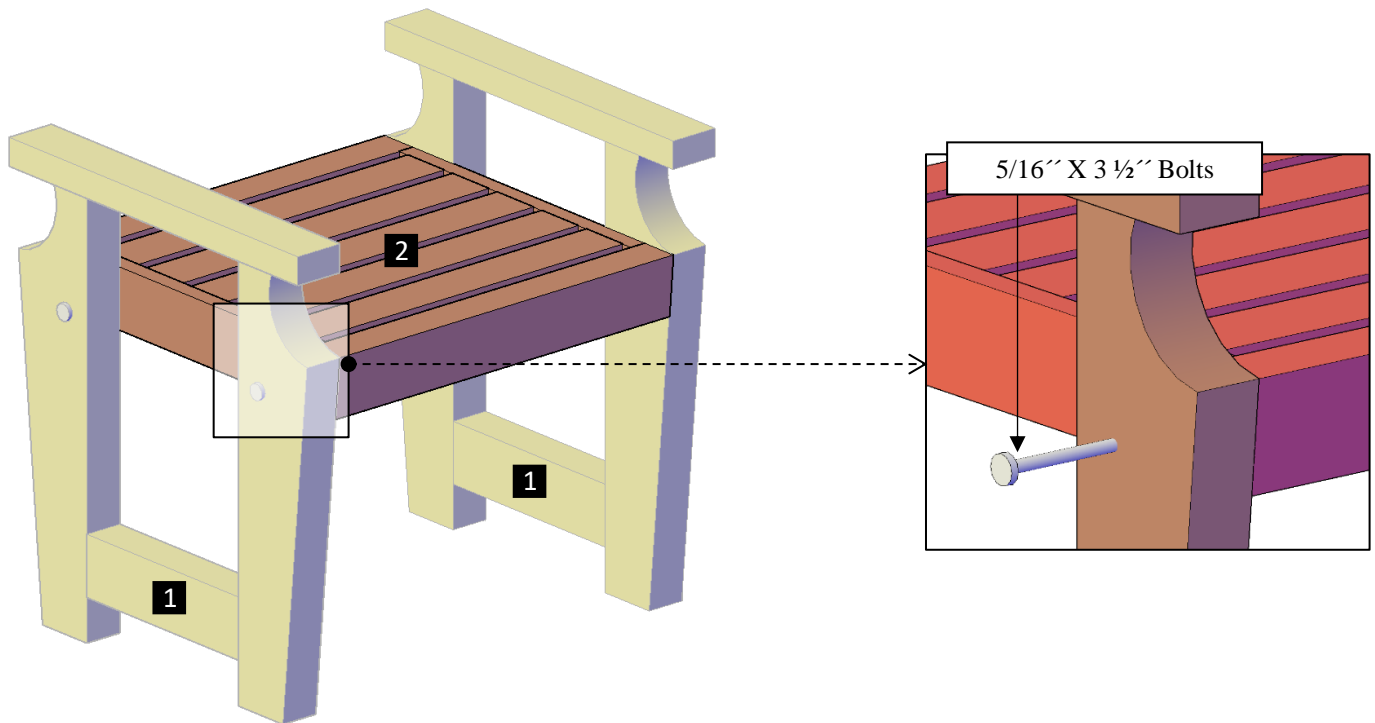


DESCRIPTION	No.
Legs	1
Seat	2
Diagonal Supports	3

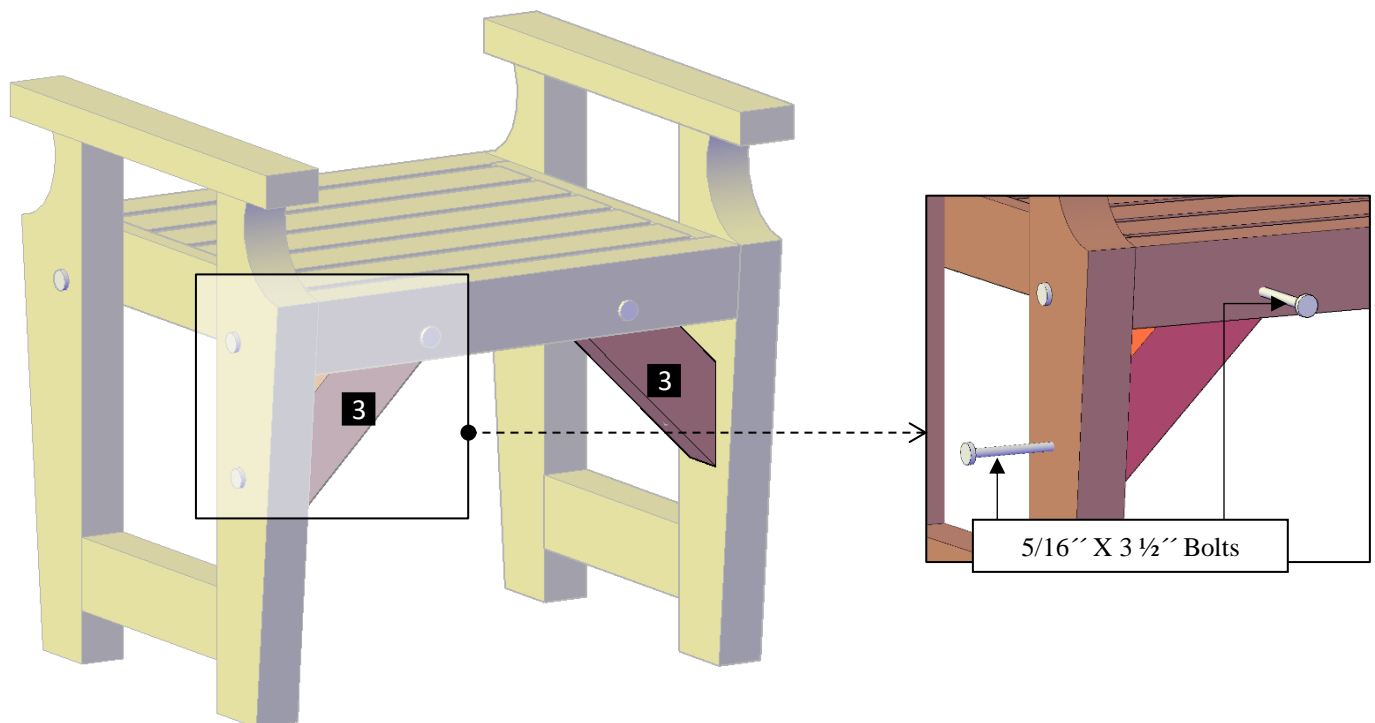


*Note: Part numbers in the Drawing are for reference only. These do not match to the numbers marked on the parts sent.*

**Step 1:** Attach the legs (1) to the seat (2) with 5/16" X 3 1/2" bolts (A). Each part has a series of numbers that indicate where to attach the part with the corresponding number.



**Step 2:** Finally, use 5/16" X 3 1/2" bolts (A) to attach the diagonal supports (3) to the seat and to the legs. Each part has a series of numbers that indicate where to attach the part with the corresponding number.







*This completes the Ottoman Assembly. Hope you enjoy your set for many decades. If you ever have a problem or a question, don't hesitate to call us (866 332 2403) or email us. We are here to support you.*