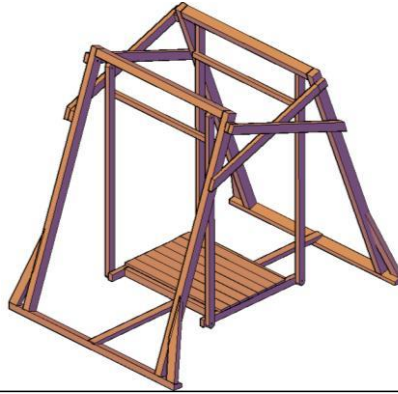


Assembly instructions for:
**DUSTIN'S FACE TO FACE GLIDERS
WITH XW ROOF**

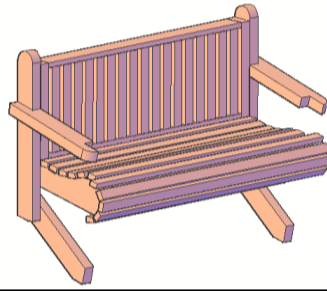


FRAME



QUANTITY	DRAWING
2 Structure Supports	A drawing showing two vertical wooden posts. A horizontal beam connects the top of both posts. The posts are slightly tapered towards the bottom.
2 Supports	A drawing of a single horizontal wooden beam, slightly tapered at both ends.
1 Base support timber	A drawing of a long, thin horizontal wooden beam, slightly tapered at both ends.
1 Floor	A drawing of a wooden floor structure. It consists of several vertical wooden slats supported by a horizontal base at the bottom.

TWO BENCHES

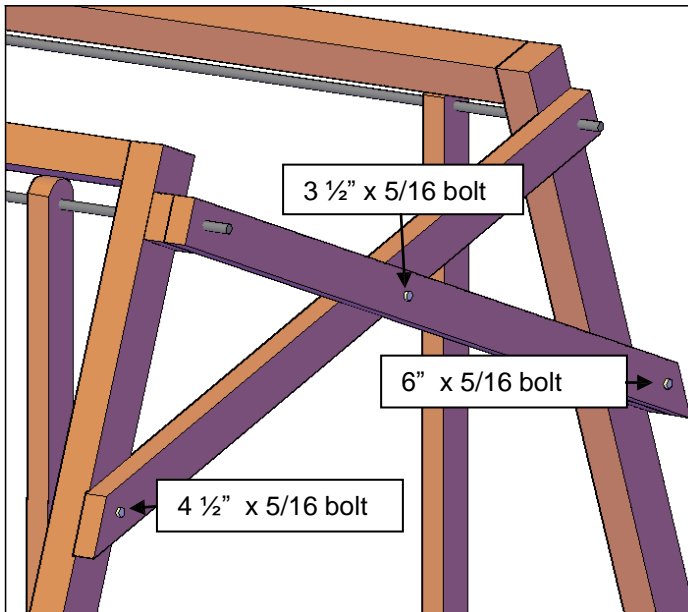


QUANTITY	DRAWING
2 Seats	
4 Seat side supports	
4 Arms	
4 supports	
2 Backrests	

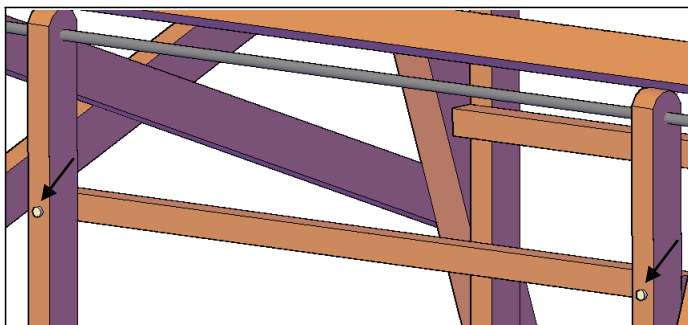
ROOF	
QUANTITY	DRAWING
2 Roof Bases	
2 Roof Sections	
1 Roof Slats	

ASSEMBLY INSTRUCTION

The parts that go together have the same numbers written next to the predrilled holes they attach to. Align the parts with the numbers as shown for ease of reference.

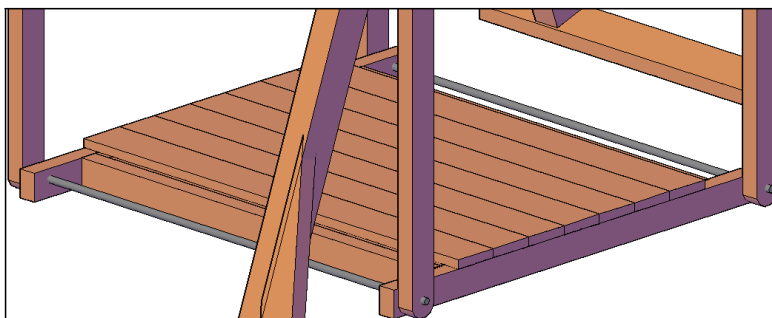


Step 1: Attach Structure Supports, with two bolts, washers & nuts. (Match up the numbers to attach the two parts together) Tap the bolt all the way into the wood to set it. Then add a washer and nut and lightly tighten. Repeat this step with other side.



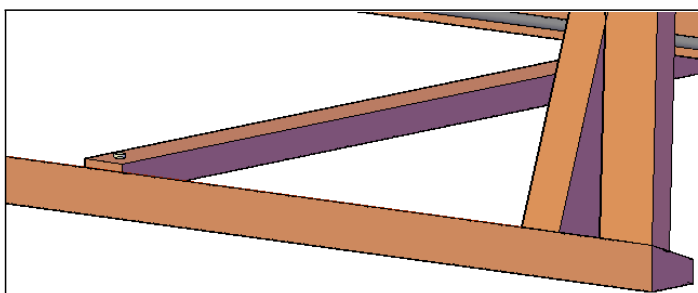
Step 2

Attach the support to the seat supports, with two bolts (4 1/2" x 5/16), washers & nuts. (Match up the numbers to attach the two parts together) Tap the bolt all the way into the wood to set it. Then add a washer and nut and lightly tighten. Repeat this step with other side.



Step 3

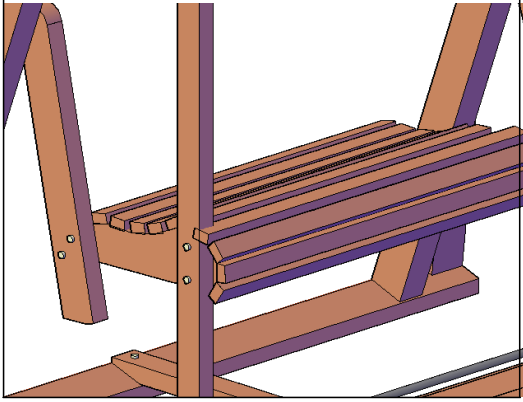
Attach the floor to the seat supports, with two threaded rod, washers & nuts. (Match up the numbers to attach the two parts together) Tap the threaded rod all the way into the wood to set it. Then add a washer and nut and lightly tighten.



Step 4

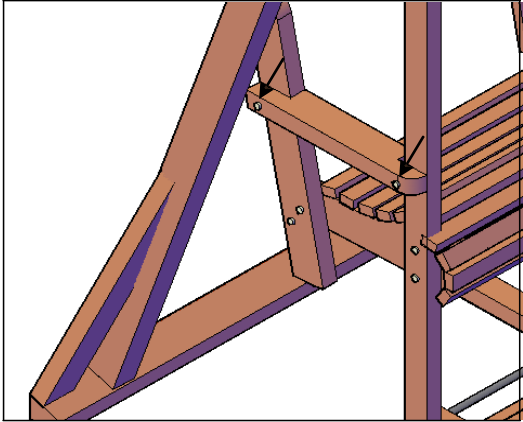
Attach the base support to the structure supports, with two bolts (3 1/2" x 5/16), washers & nuts. (Match up the numbers to attach the two parts together) Tap the bolt all the way into the wood to set it. Then add a washer and nut and lightly tighten.

Repeat this step with other side.



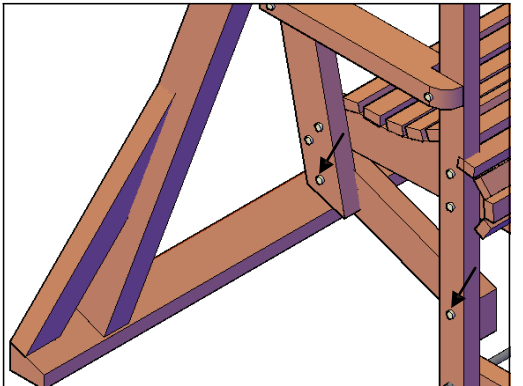
Step 5

Attach the seat to the seat support and seat side support with four bolts (3 1/2" x 5/16), washers & nuts. (Match up the numbers to attach the two parts together) Tap the bolt all the way into the wood to set it. Then add a washer and nut and lightly tighten. Repeat this step with other side.



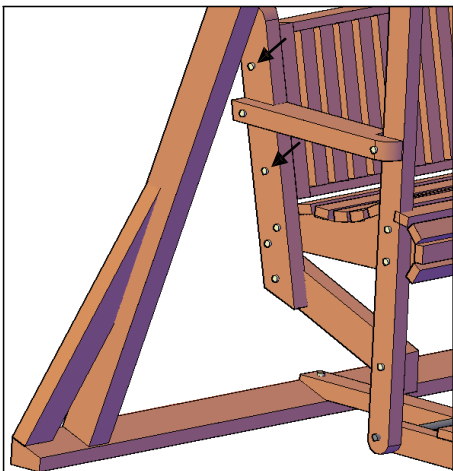
Step 6

Attach the arm to the seat support and seat side support with two bolts (3 1/2" x 5/16), washers & nuts. (Match up the numbers to attach the two parts together) Tap the bolt all the way into the wood to set it. Then add a washer and nut and lightly tighten. Repeat this step with other side.



Step 7

Attach the support to the seat support and seat side support with two bolts (3 1/2" x 5/16), washers & nuts. (Match up the numbers to attach the two parts together) Tap the bolt all the way into the wood to set it. Then add a washer and nut and lightly tighten. Repeat this step with other side.

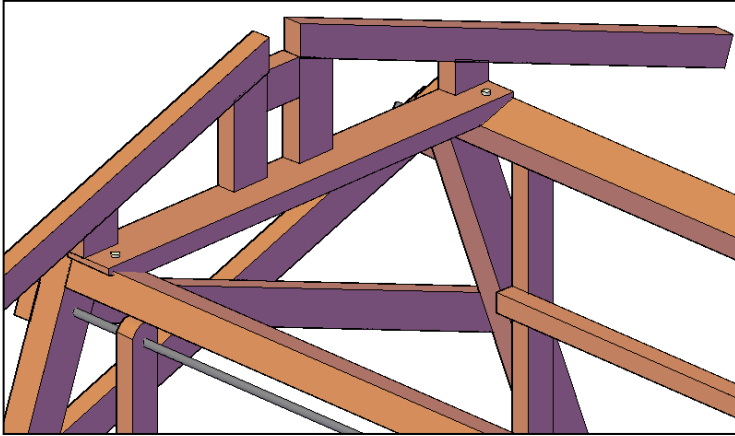


Step 8

Attach the backrest to the seat side support with two bolts (3 1/2" x 5/16), washers & nuts. (Match up the numbers to attach the two parts together) Tap the bolt all the way into the wood to set it. Then add a washer and nut and lightly tighten.

Repeat this step with other side.

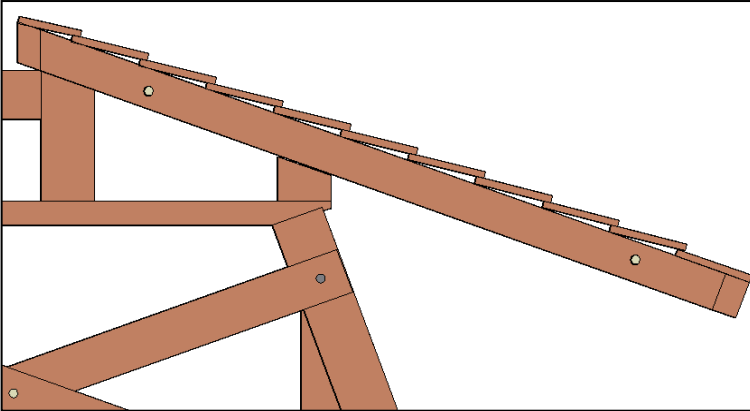
Repeat step 5 to step 8 with the other bench



Step 9

Attach the structure supports to roof base, with two bolts (4 1/2" x 5/16), washers & nuts. (Match up the numbers to attach the two parts together) Tap the bolt all the way into the wood to set it. Then add a washer and nut and lightly tighten.

Repeat this step with other side.



Step 10

Attach the roof section to roof base, with two bolts (4" x 5/16), washers & nuts. (Match up the numbers to attach the two parts together) Tap the bolt all the way into the wood to set it. Then add a washer and nut and lightly tighten.

Repeat this step with other side.



Step 11

Attach the slat to the roof with six deck screws

Thank you. If you have any questions, please call or email us.



ENJOY!!