



# FOREVER REDWOOD

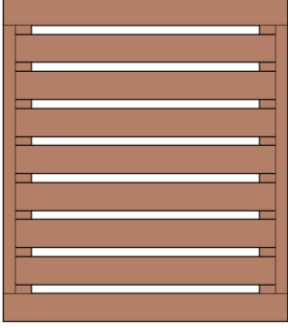
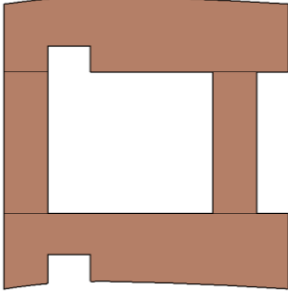

*From the Forest, For the Forest since 1995*

---

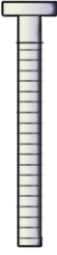
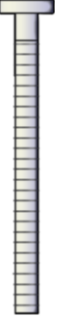
866.332.2403 (TOLL FREE); 7am – 7pm Pacific Time, Monday-Saturday

## ASSEMBLY INSTRUCTIONS FOR THE **BRIAN'S SIDE TABLES**

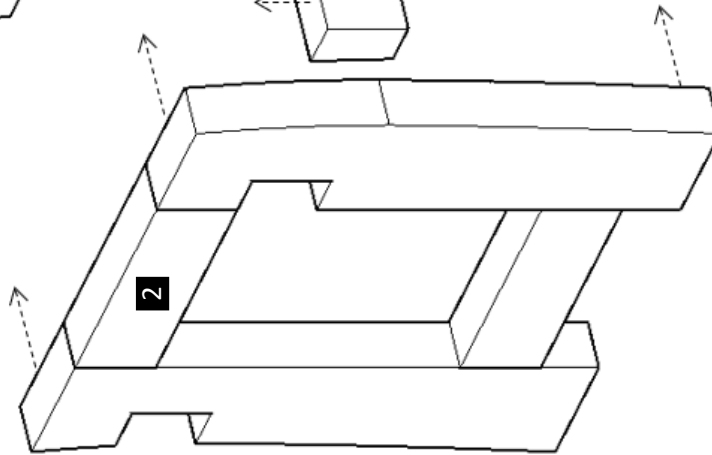
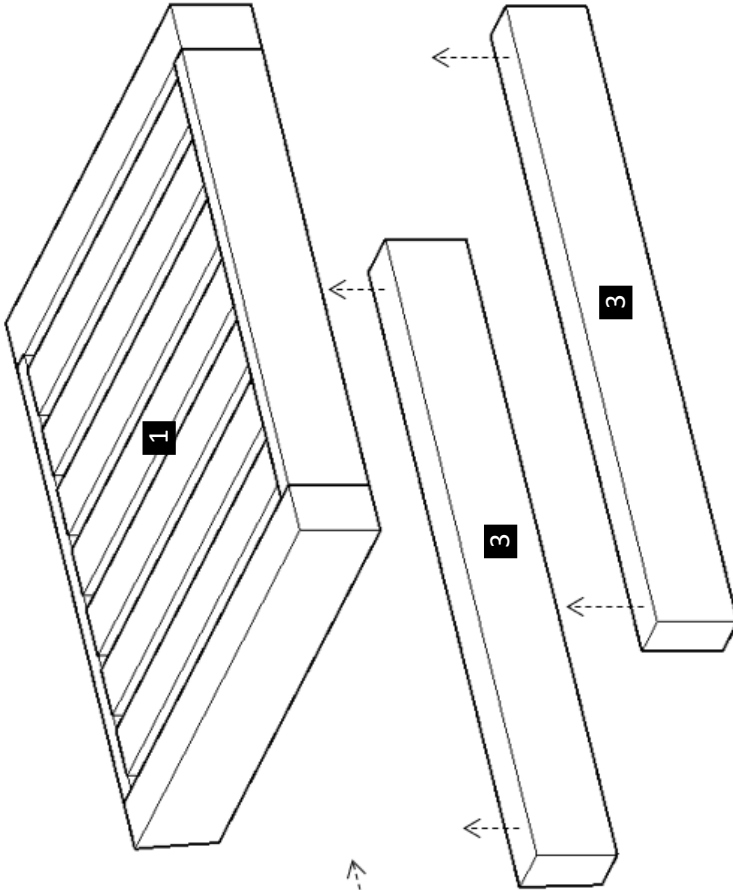
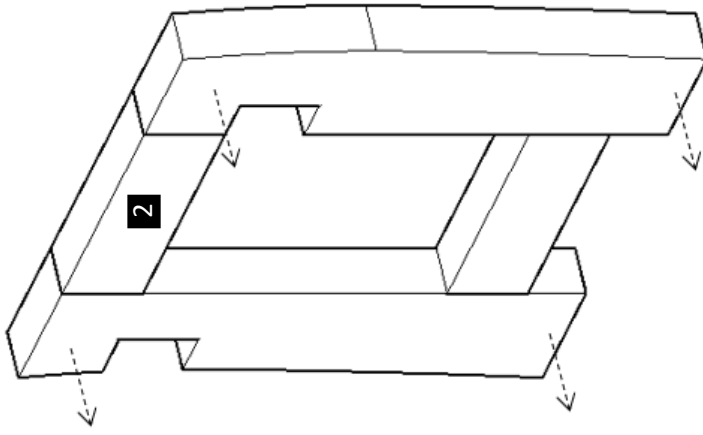


CONTENT OF BOXES			
Qty.	Description	Drawing	No.
1	Tabletop		1
2	Legs		2
2	Supports		3

*Note: Part numbers in the Content of Boxes Table are for reference only. These do not match to the numbers marked on the parts sent.*

HARDWARE LIST		
Description	Drawing	No.
5/16'' X 3 1/2'' Bolts (To attach the legs to the tabletop).		A
5/16'' X 4 1/2'' Bolts (To attach the supports to the legs).		B

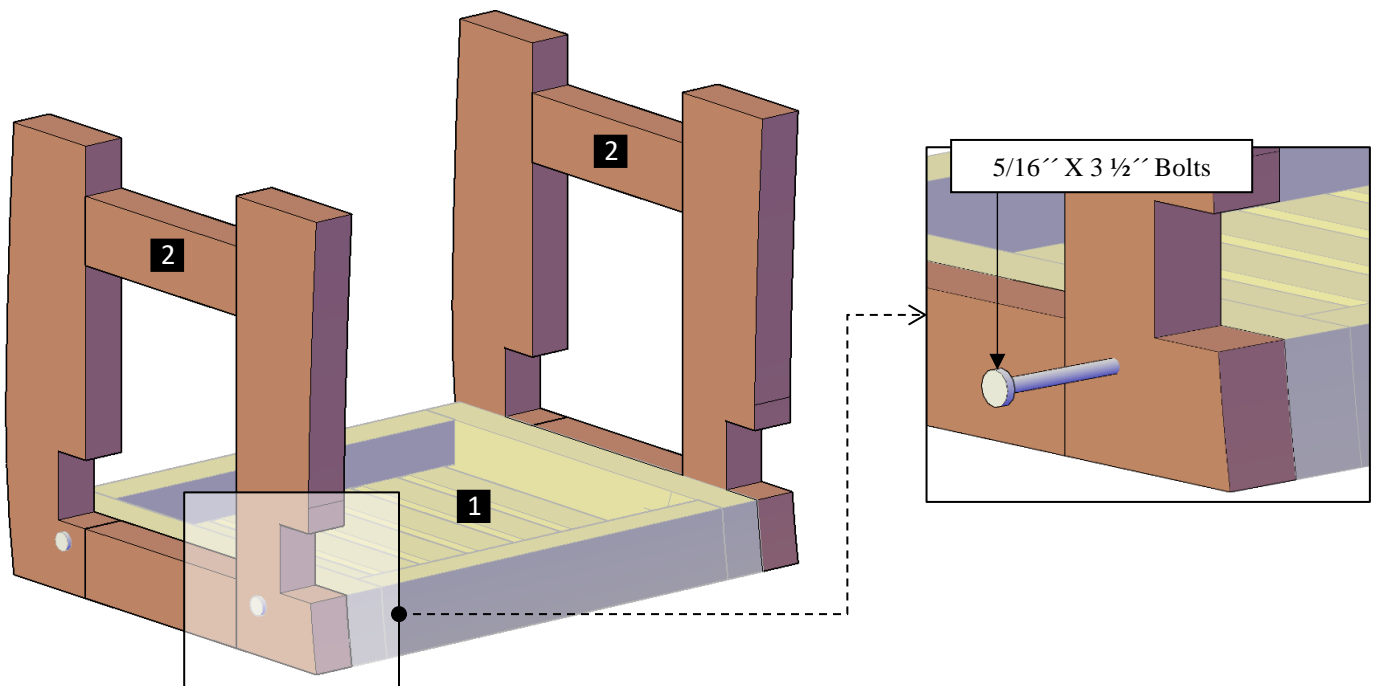
*Note: Dimensions of your hardware will vary depending on size.*



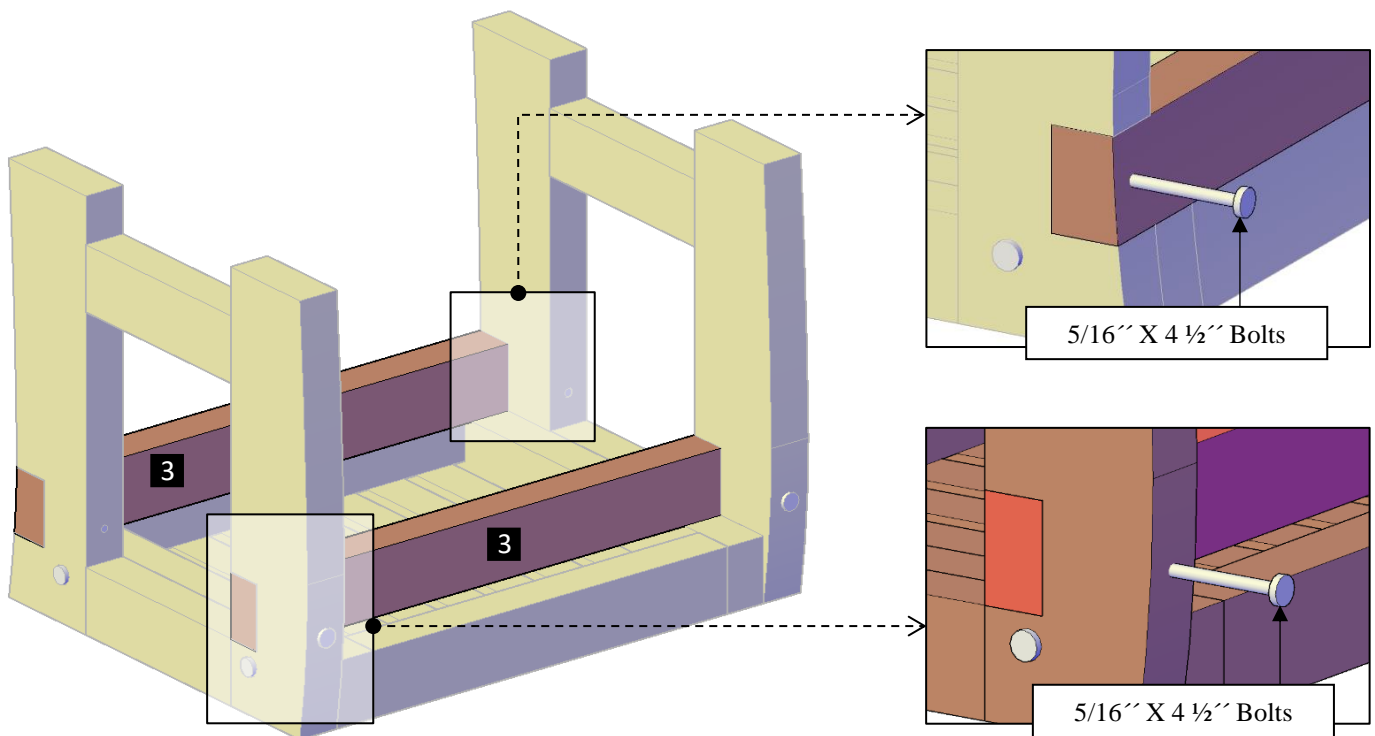
DESCRIPTION	No
Tabletop	1
Legs	2
Supports	3

*Note: Part numbers in the Drawing are for reference only. These do not match to the numbers marked on the parts sent.*

**Step 1:** Place the Tabletop (1) upside down. After that, use 5/16" x 3 1/2" bolts (A) to attach the legs (2) to the tabletop. Each part has a series of numbers that indicate where to attach the part with the corresponding number.



**Step 2:** Attach the support (3) to the legs with 5/16" x 4 1/2" bolts (B). Each part has a series of numbers that indicate where to attach the part with the corresponding number.





**Step 3:** Finally, turn the table over its feet.



*This completes the Table assembly. Hope you enjoy your set for many decades. If you ever have a problem or a question, don't hesitate to call us (866 332 2403) or email us. We are here to support you.*