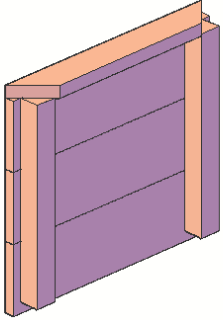
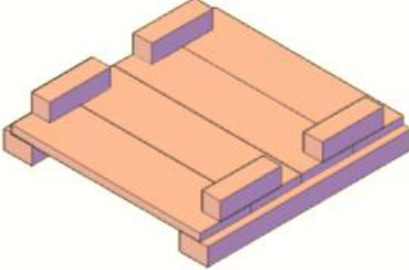
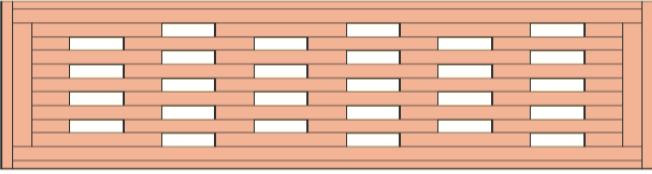
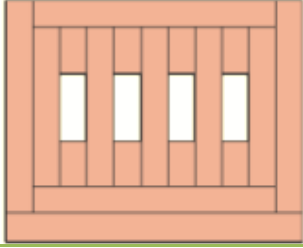


866.332.2403 (Toll Free); 8am-5pm Pacific Time, Monday-Friday

Assembly Instructions for: **BENCH AND PLANTERS COMBO**



CONTENT OF BOXES

Quantity	Description	Drawing
8	Walls	
2	Bottom	
1	Bench seat	
1	Leg	
2	Diagonal supports	
2	Carriage bolts 3 1/2" x 5/16", Washers and Nuts	
12	Carriage bolts 3" x 5/16", Washers and Nuts	
4	Carriage bolts 2 1/2" x 5/16"	
8	Deck screws (8" x 2 1/2")	

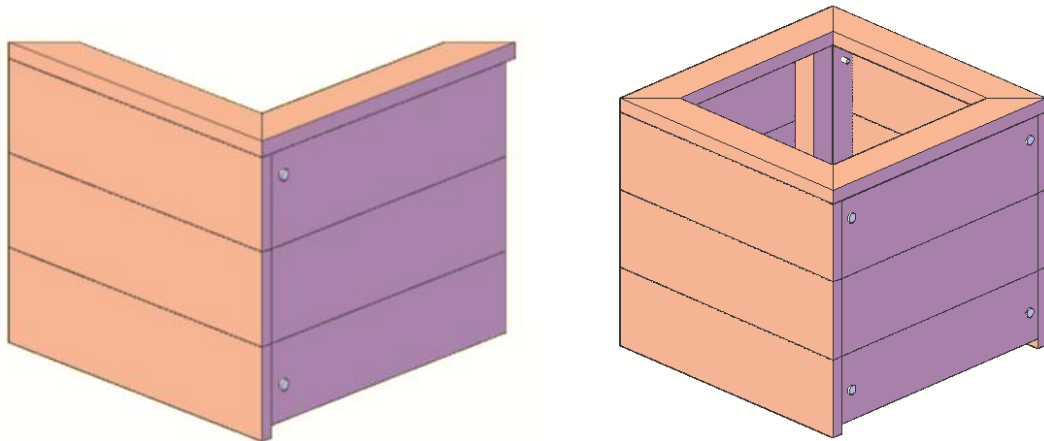
ASSEMBLY INSTRUCTIONS

Thank you for purchasing Forever Redwood patio furniture. Forever Redwood is built by Old-Growth Again Restoration Forestry (OGA). OGA is dedicated to restoration forestry. Sales of patio furniture finance our restoration work in California redwood forestlands.

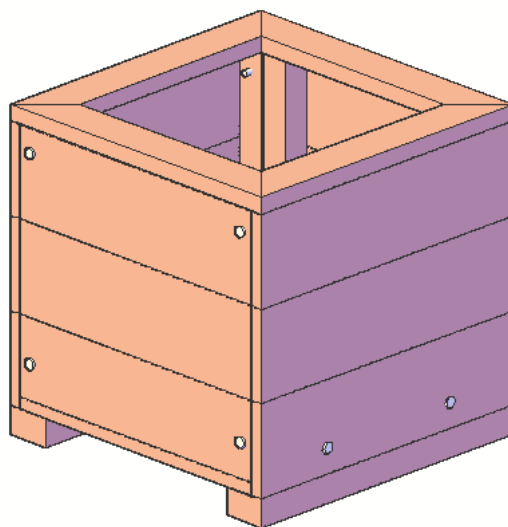
The parts that go together have the same numbers written next to the predrilled holes they attach to. Align the parts with the numbers as shown for ease of reference.

Tools required: ½-inch ratchet and a mallet or small hammer.

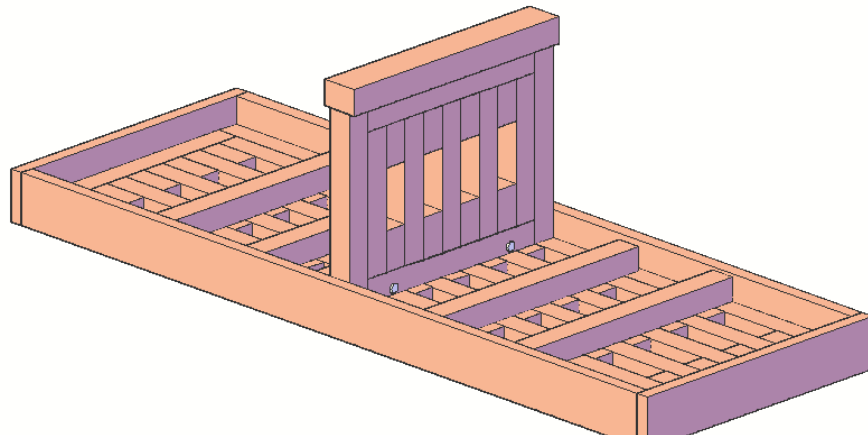
STEP 1: Attach wall to wall, with two bolts (3" x 5/16"), washers & nuts (make sure to match the numbers written on the pieces). Tap the bolt all the way into the wood to set it. Then add a washer and nut and lightly tighten. *Repeat this step for the other walls.*



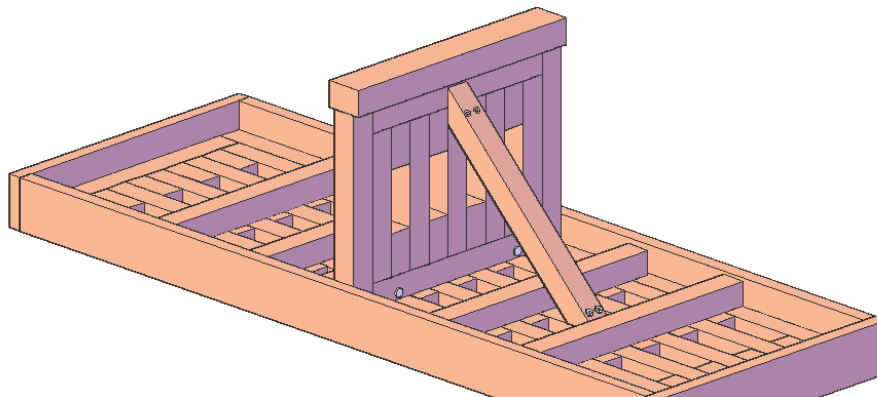
STEP 2: Attach bottom to wall with two bolts (3" x 5/16"), washers & nuts. Tap the bolt all the way into the wood to set it. Then add a washer and nut and lightly tighten. *Repeat this step for the other side and for the other planter.*



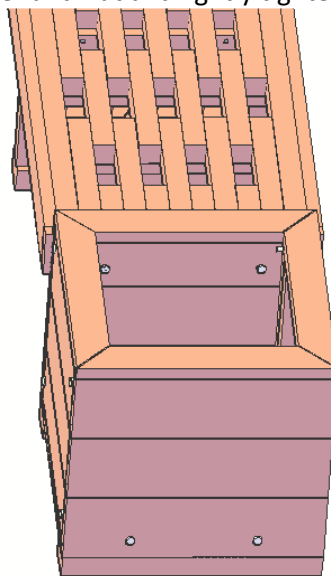
STEP 3: Attach leg to bench seat with two bolts (3 ½" x 5/16"), washers & nuts. Tap the bolt all the way into the wood to set it. Then add a washer and nut and lightly tighten.



STEP 4: Attach diagonal support to bench seat & leg with four deck screws (8" x 2 ½"). *Repeat this step for the other side.*



STEP 5: Attach bench seat to wall with two bolts (2 ½" x 5/16"), washers & nuts. Tap the bolt all the way into the wood to set it. Then add a washer and nut and lightly tighten. *Repeat this step for the other side.*



Thank you. If you have any questions, please call or email us.