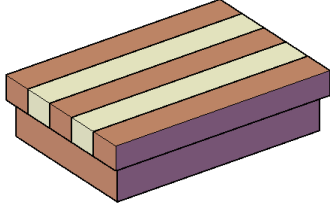
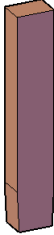

866.332.2403; Outside the US: 619.600.5630 8am-5pm Pacific Time, Monday-Friday

Assembly Instructions for:
**ASHLEY'S MULTI COLORED WOOD
TABLE**



CONTENT OF BOXES

Quantity	Description	Drawings
1	Tabletop	
4	Legs	
8	3 1/2" x 5/16 Carriage Bolts, Washers and Nuts	

*Carriage bolts could be 4" instead 3 1/2" if purchase a large table

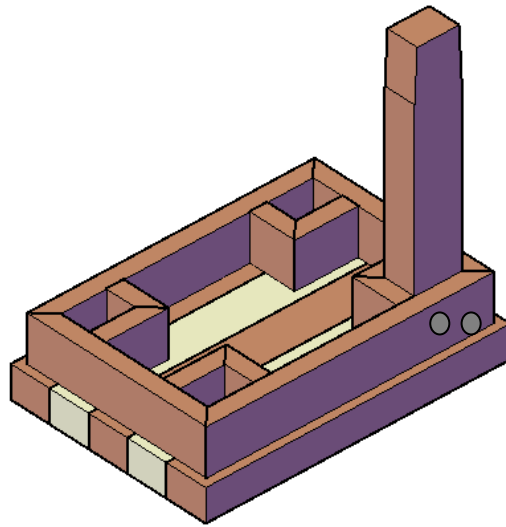
ASSEMBLY INSTRUCTIONS

Thank you for purchasing Forever Redwood patio furniture. Forever Redwood is built by Old-Growth Again Restoration Forestry (OGA). OGA is dedicated to restoration forestry. Sales of patio furniture finance our restoration work in California redwood forestlands.

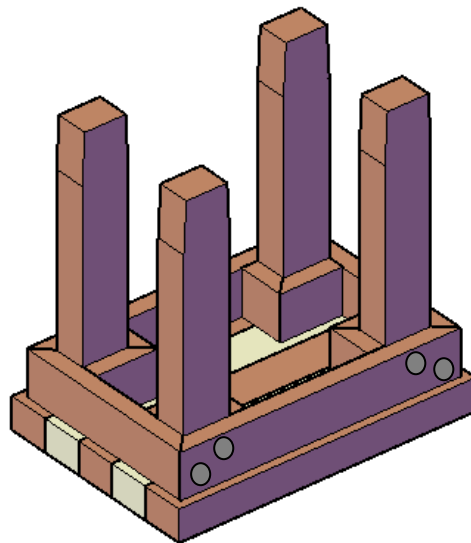
Tools required: ½-inch ratchet and a mallet or small hammer.

Your furniture was fully assembled in the shop prior to being dismantled for shipping. All the parts fit. The parts that go together have the same numbers written next to the predrilled holes they attach to. Please take the time to align the parts with the numbers. If you are forcing a bolt in, the part may be turned around or not aligned properly. Tap the bolt all the way into the wood to set it, then add a washer and lightly tighten. Don't over tighten or you will crush the redwood.

Step 1: Unpack your side table and make sure you have all the parts. Turn it upside down. You'll notice that each side has a number that corresponds to each leg. Match the leg number to the side table hole and attach with two carriage bolts. Align the predrilled holes; lightly tap the 2 bolts all the way in and then add washers and nuts and tighten with a ½-inch ratchet.



Step 2: Repeat step 1 to attach the other 3 legs to tabletop.



Step 3: Turn side table over – done.

Thank you. If you have any questions, please call or email us.