



FOREVER REDWOOD

From the Forest, For the Forest since 1995

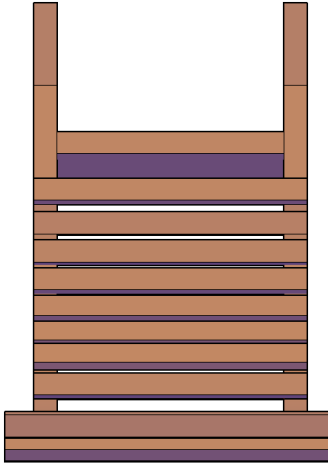
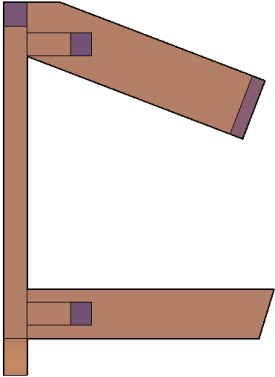
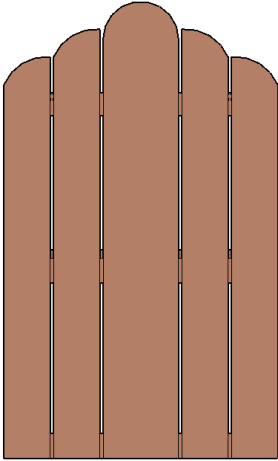
866.332.2403 (TOLL FREE); 7am – 7pm Pacific Time, Monday-Saturday

ASSEMBLY INSTRUCTIONS FOR THE ADIRONDACK WOODEN ROCKING CHAIR





CONTENT OF BOXES

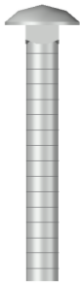


Qty.	Description	Drawing	No.
1	Seat		1
2	Armrests		2
1	Backrest		3

Note: Part numbers in the Content of Boxes Table are for reference only. These do not match to the numbers marked on the parts sent.





HARDWARE LIST

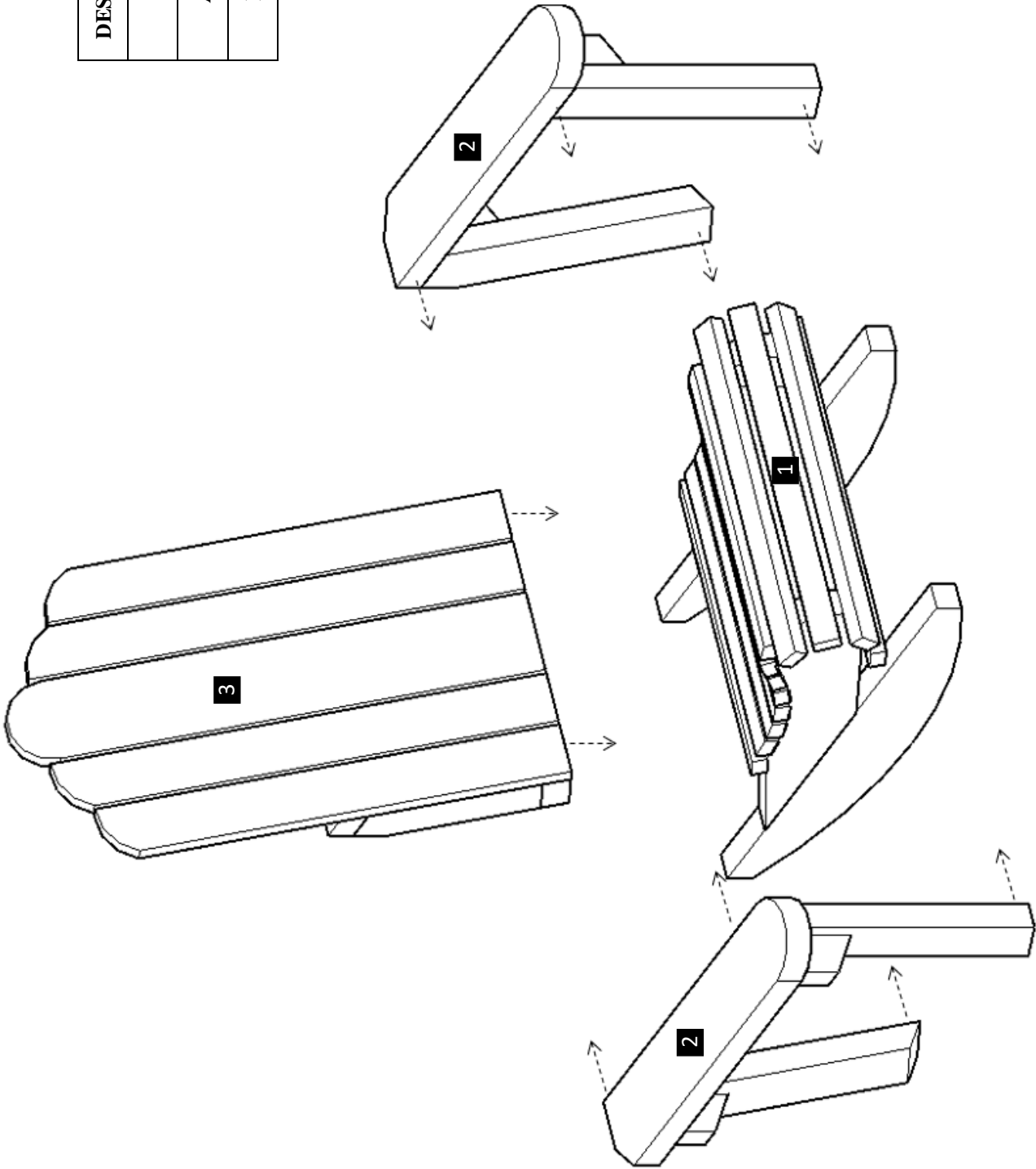
Description	Drawing	No.
5/16" X 3 1/2" Bolts (To attach the armrest to the seat. / To attach the backrest to the armrest).		A
5/16" Washers		B
5/16" Nuts		C

Note: Dimensions of your hardware will vary depending on size.



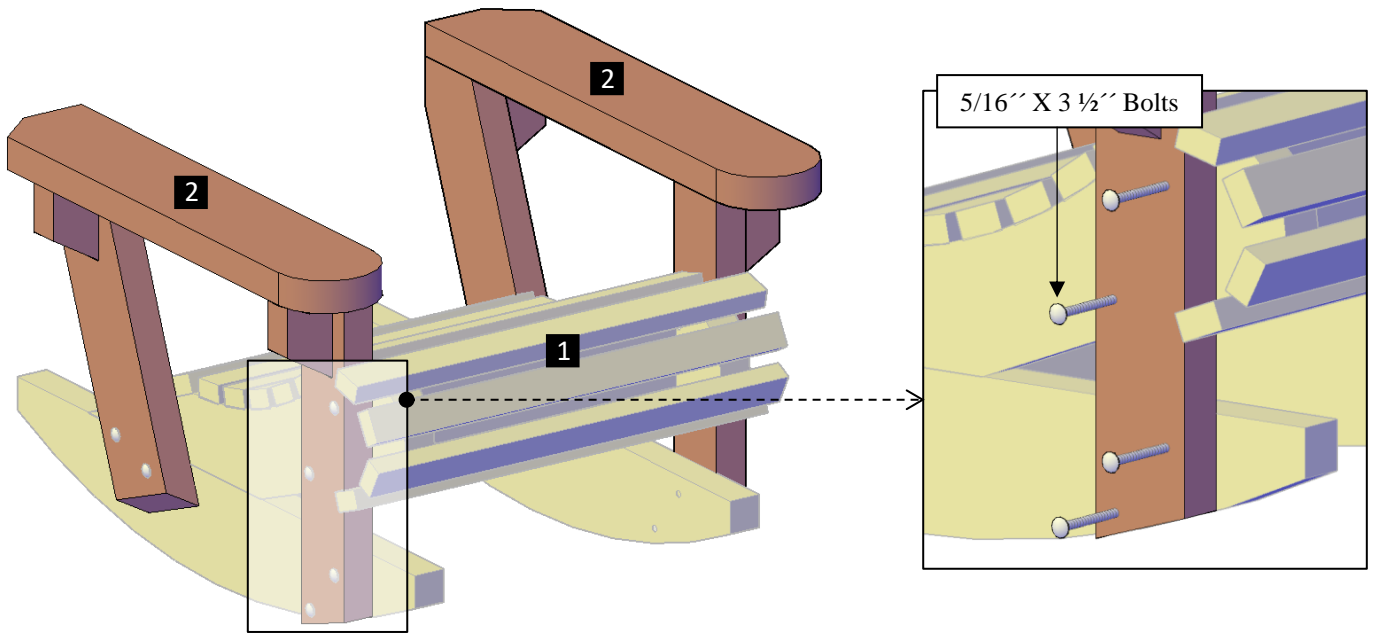


DESCRIPTION	No
Seat	1
Armrests	2
Backrest	3

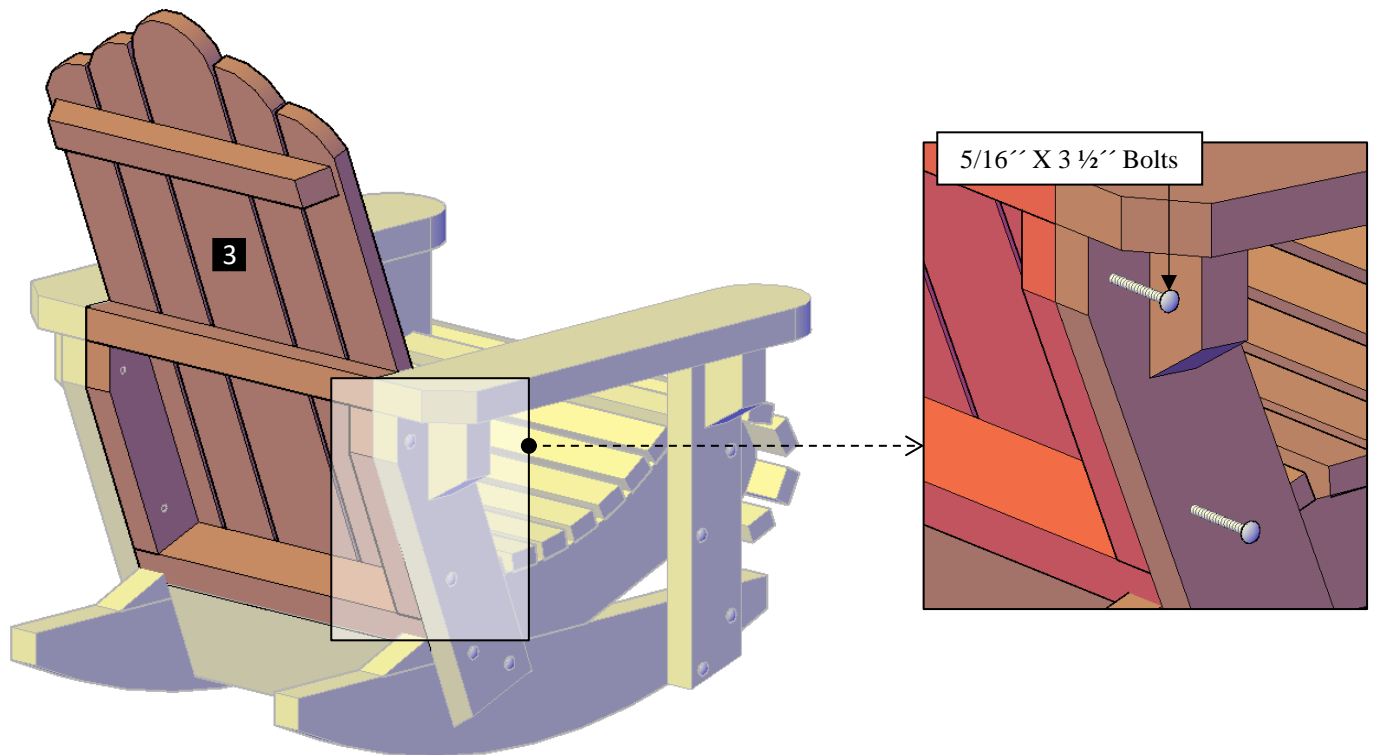


Note: Part numbers in the Drawing are for reference only. These do not match to the numbers marked on the parts sent.

Step 1: Use 5/16" x 3 1/2" bolts (A) with washers (B) & nuts (C) to attach the armrest (2) to the seat (1). Each part has a series of numbers that indicate where to attach the part with the corresponding number.



Step 2: Finally, attach the backrest (3) to the armrests, use 5/16" x 3 1/2" bolts (A) with washers (B) & nuts (C). Each part has a series of numbers that indicate where to attach the part with the corresponding number.





This completes the Chair Assembly. Hope you enjoy your set for many decades. If you ever have a problem or a question, don't hesitate to call us (866 332 2403) or email us. We are here to support you.